



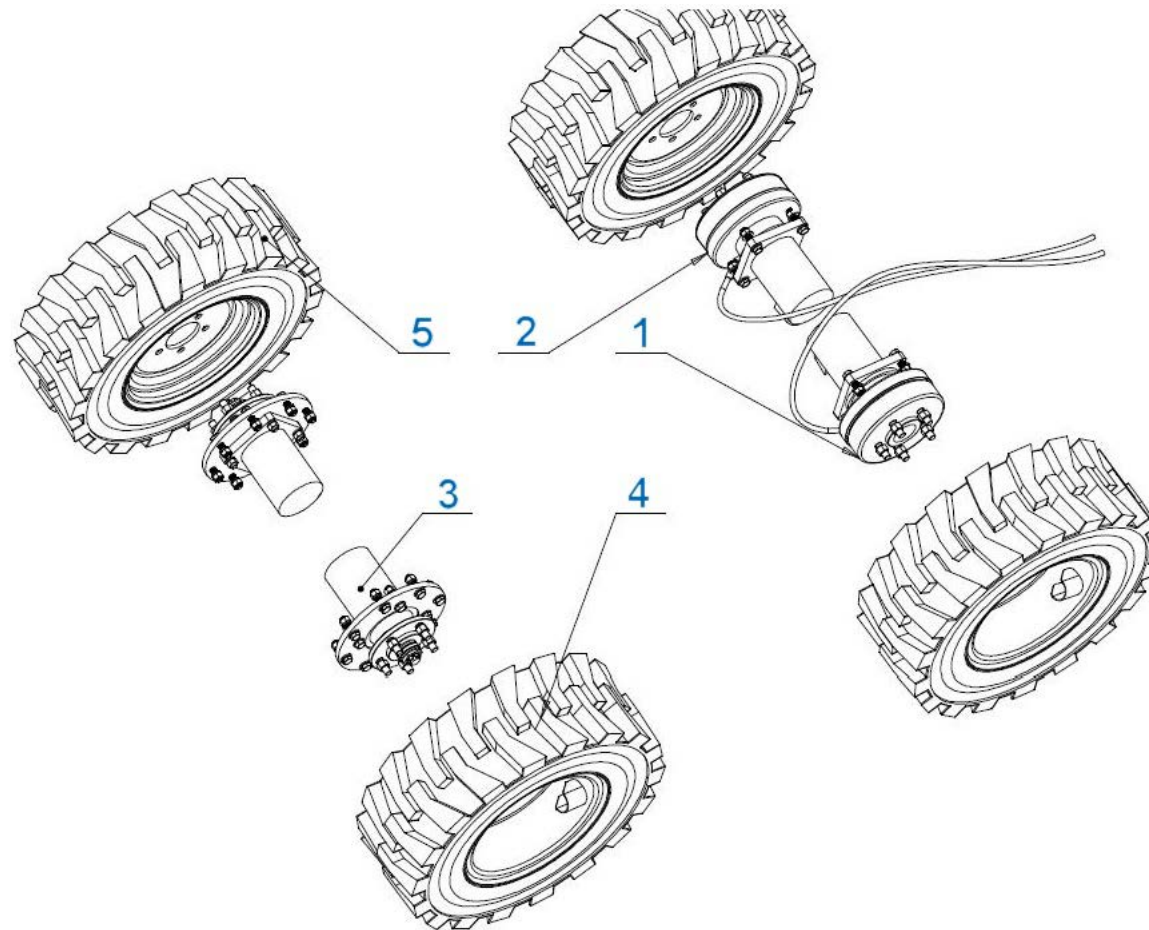
W10 Spare parts

P. de Heus en Zonen Greup B.V.
Stougjesdijk 153
3271 KB Mijnsheerenland
The Netherlands
Tel. + 31 (0) 186 612 333
info@eurotrac.nl

1.	TRANSMISSION SYSTEM	4
1.1	Rear left motor transmission system	6
1.2	Front wheel motor transmission system	8
1.3	Wheel assembly	10
2.	POWER SYSTEM	11
2.1	Power system installation assy	11
2.2	Engine	12
2.3	Exhaust system	14
2.4	Air intake system	16
2.5	Cooling system	18
3.	CHASSIS SYSTEM	20
3.1	Chassis system general assembly	20
3.2	Front chassis	22
3.3	Rear chassis (Part 1)	24
3.4	Rear chassis (Part 2)	26
3.5	Working device	28
3.6	Bonnet assy	30
3.7	Canopy assy	32
3.8	Spherical hinge assy	34
3.9	Fold overhead guard assy (Part 1)	36
3.10	Fold overhead guard assy (Part 2)	38
4.	OPERATION SYSTEM	40
4.1	General assembly of operation system	40
4.2	Steering	42
4.3	Handbrake	44
4.4	Accelerator operation	46
4.5	Foot pedal valve	48

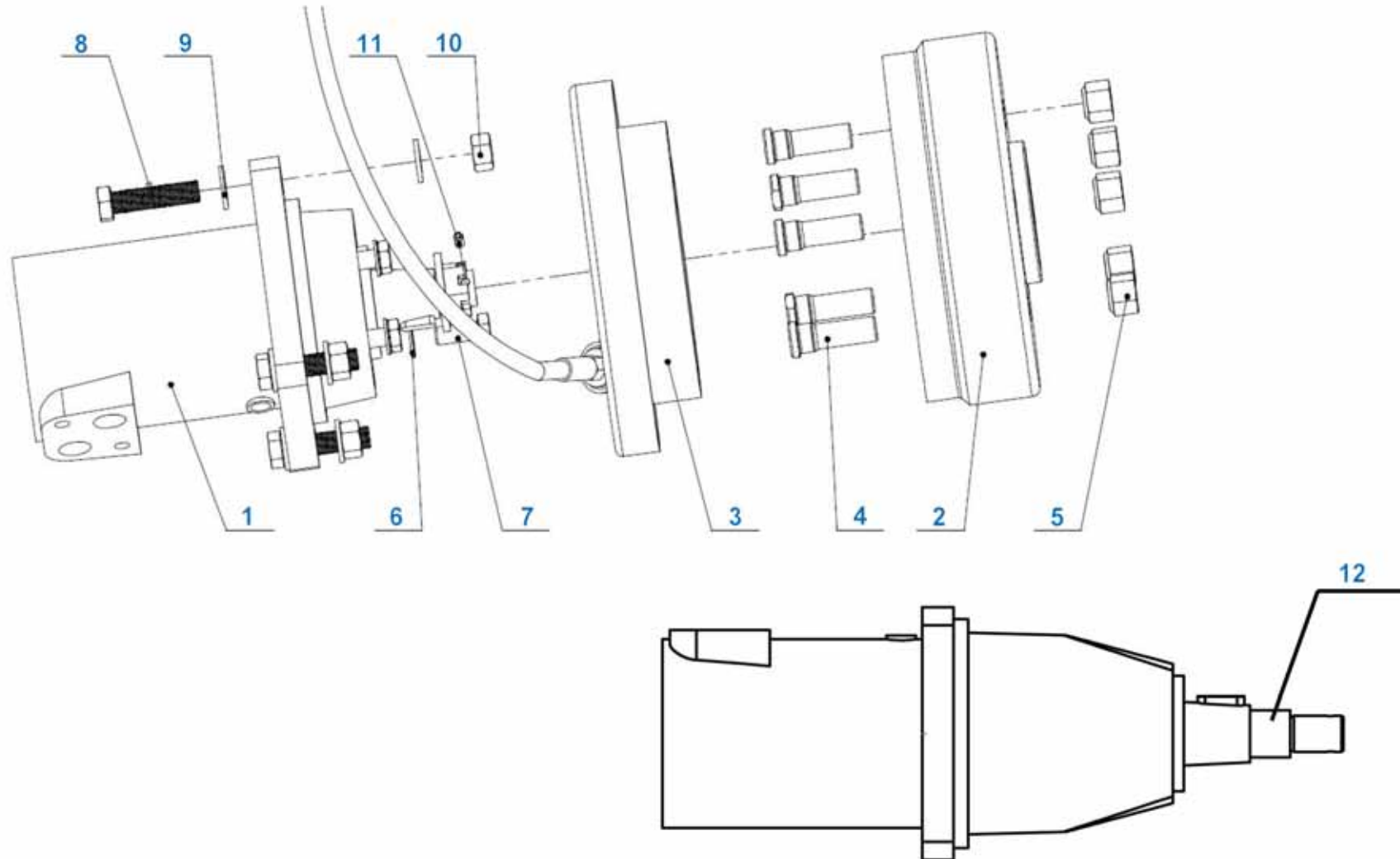
5.	HYDRAULIC SYSTEM	50
5.1	Hydraulic system (plunger pump motor) (Part 1)	50
5.2	Hydraulic system (plunger pump motor) (Part 2)	52
5.3	Hydraulic system (steering gear)	54
5.4	Hydraulic system (multitandem valve)	56
5.5	Multitandem valve	58
6.	ELECTRICAL SYSTEM	60
6.1	Electrical system installation	60
6.2	Instrument assy	62
6.3	Battery installation assembly	66
6.4	Wiring harness assembly	68
6.5	General switch installation assembly	70
7.	ATTACHMENT	72
7.1	Bucket assy	72
8.	LABELS	74

1. TRANSMISSION SYSTEM



Transmission system				
Item	Part number	Part name	Qty	Remark
1	1030-120000-000	Rear left wheel motor transmission system	1	
2	1030-130000-000	Rear right wheel motor transmission system	1	
3	1030-110000-000	Front wheel motor transmission system	2	
4	1030-180000-001	Left tyre assy	2	
5	1030-180000-002	Right tyre assy	2	

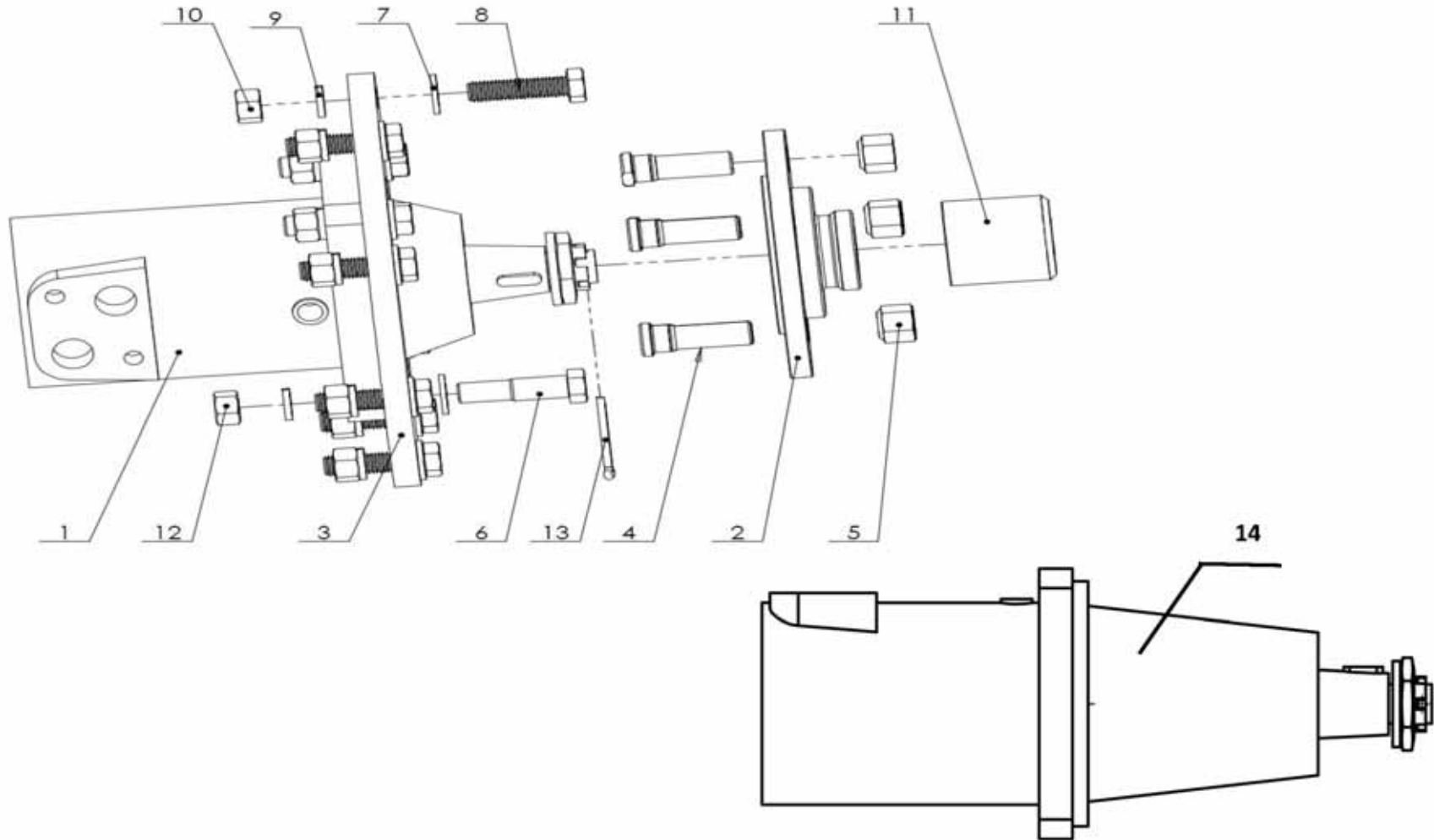
1.1 Rear left motor transmission system



Rear left motor transmission system				
Item	Part number	Part name	Qty	Remark
1	01 1030-120001-G00	Rear motor	1	The old motor, matching the one produced before June 2018
2	02 1030-120002-000	Drum brake	1	Rear right wheel with left brake, the rest is the same
3	03 1030-120003-G00	Right brake	1	
4	04 1030-120004-G00	Tyre mounting bolt	5	10.9
5	05 1030-120005-G00	Tyre mounting nut	5	
6	06 000972 000101	Flat washer 10	4	
7	07 005783 100251	Bolt M10×25	4	10.9
8	08 005783 120501	Hexagon bolt M12x50	4	10.9
9	09 000971 000121	Washer 12	8	
10	10 006170 000121	Nut M12	4	
11	11 008792 045012	Elastic cylindrical pin 4.5×12 2	2	
12	12 1030-120001-G01	Rear motor	2	For more details, see the description below.

The new motor is slightly longer in size than the old one, and the supporting production is on the one produced after June 2018, so you need to purchase the parts after consulting the technical department.

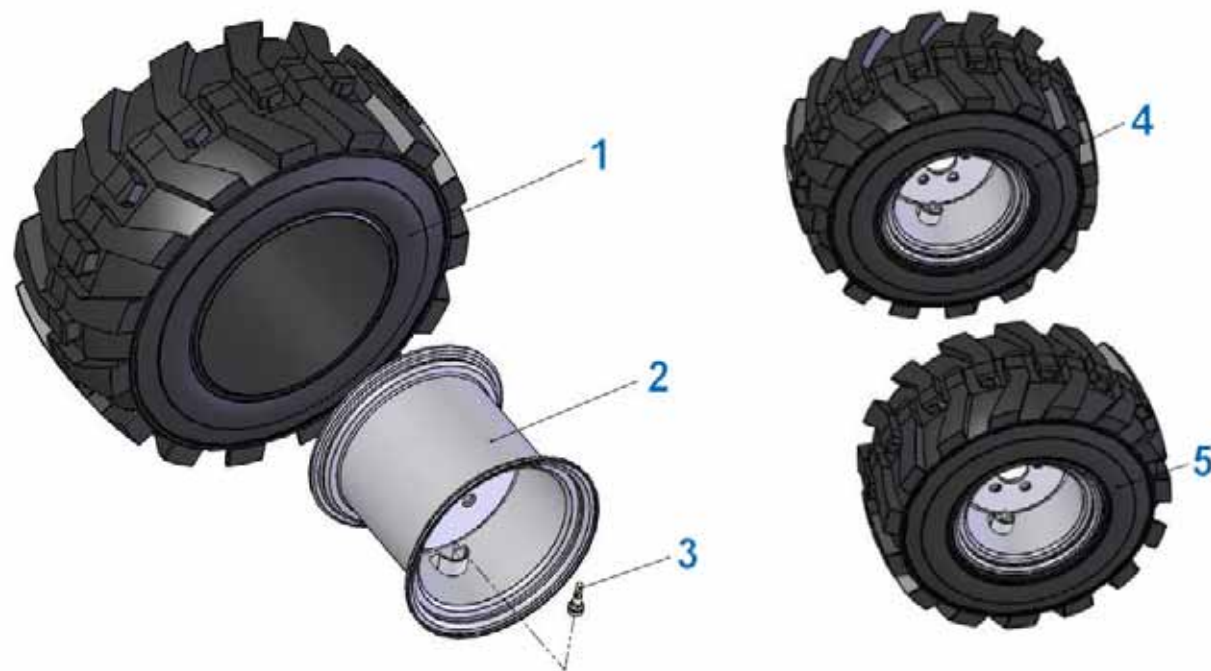
1.2 Front wheel motor transmission system



Front wheel motor transmission system				
Item	Part number	Part name	Qty	Remark
1	1030-110001-G00	Front motor assemble	1	The old motor, matching the one produced before June 2018
2	1030-110002-000	Wheel connecting flange	1	
3	1030-110001-000	Motor connecting flange	1	
4	1030-120002-G00	Wheel mounting bolt	5	10.9
5	1030-120005-G00	Wheel mounting nut	5	
6	1030-120006-000	Hexagon bolt M12x1.25x50	4	10.9
7	000971 000121	Washer 12	12	
8	005782 120451	Bolt M12x45	8	10.9
9	GT00093-000012-00	Spring washer 12	12	
10	006170 000121	Nut M12	8	
11	1030-110003-000	Dust cover	1	
12	006171 012003	Hex nut M12x1.25	4	
13	GT00091-040040-00	Cotter 4x40	1	
14	1030-110001-G01	Front motor assemble	2	For more details, see the description below.

The new motor is slightly longer in size than the old one, and the supporting production is on the one produced after June 2018, so you need to purchase the parts after consulting the technical department.

1.3 Wheel assembly

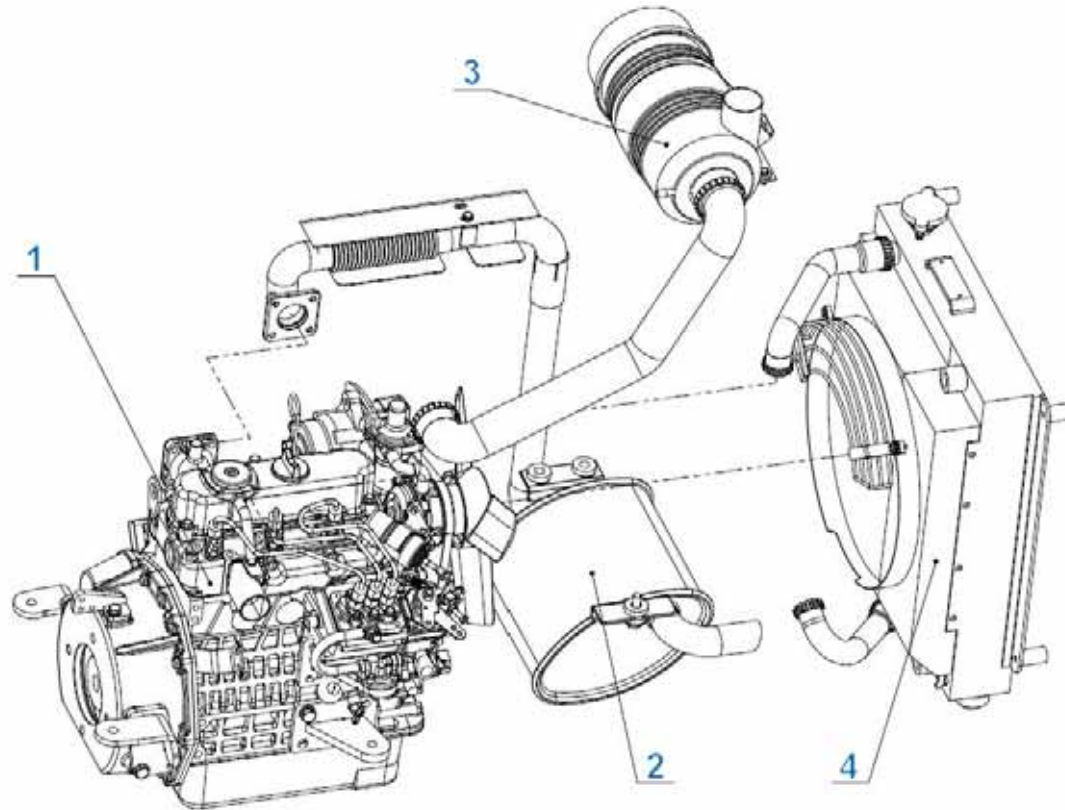


Wheel assembly

Item	Part number	Part name	Qty	Remark
1	23X8.5-12NHS	Tyre	4	Rims need to be fitted with the latest hydraulic motors.
2	1030-180100-000	Rim component	4	
3	1130-101100-G00	Air valve core	4	
4	1030-101000-G00	Left wheel assy	2	
5	1030-102000-G00	Right wheel assy	2	

2. POWER SYSTEM

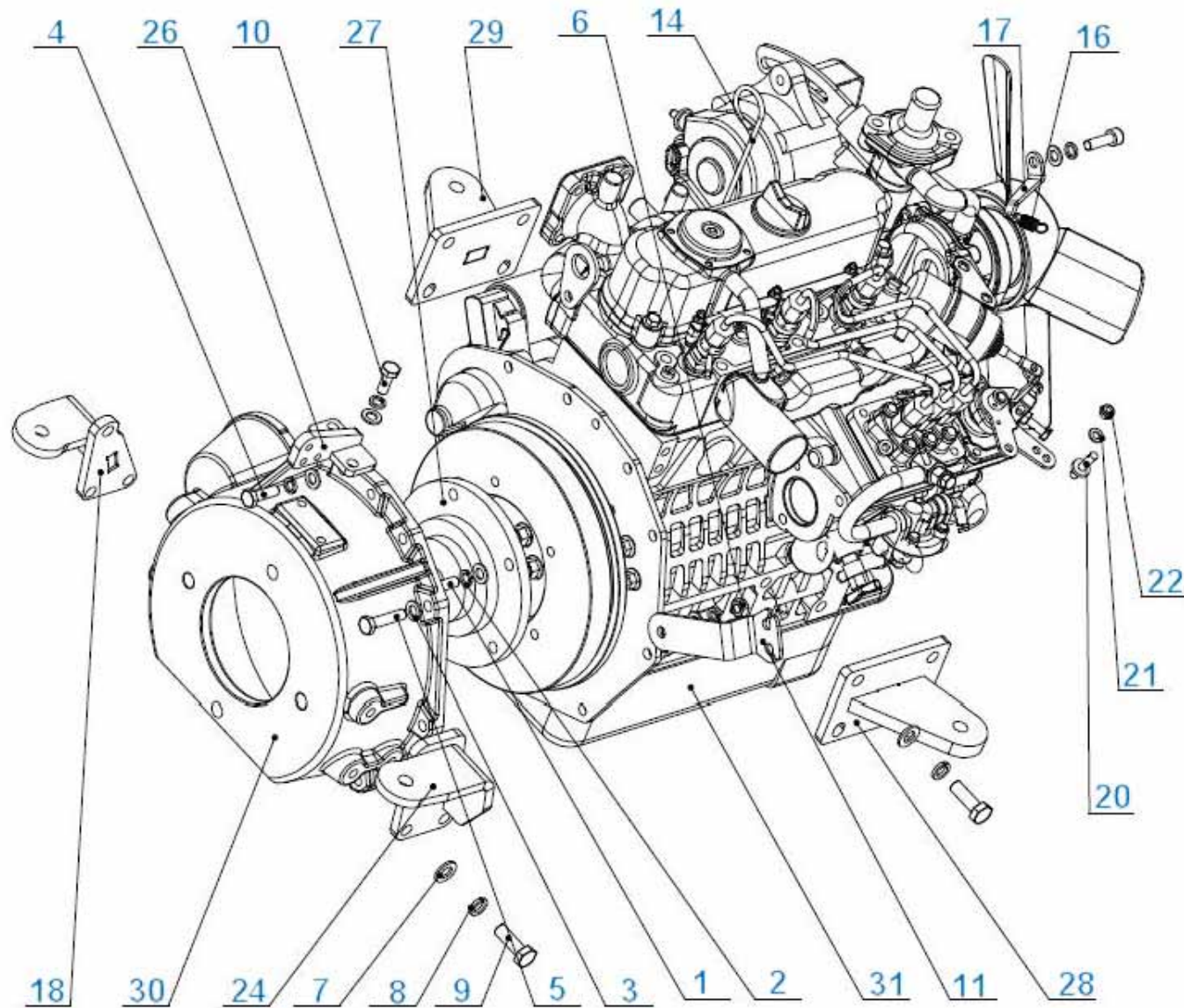
2.1 Power system installation assy



Power system installation assy

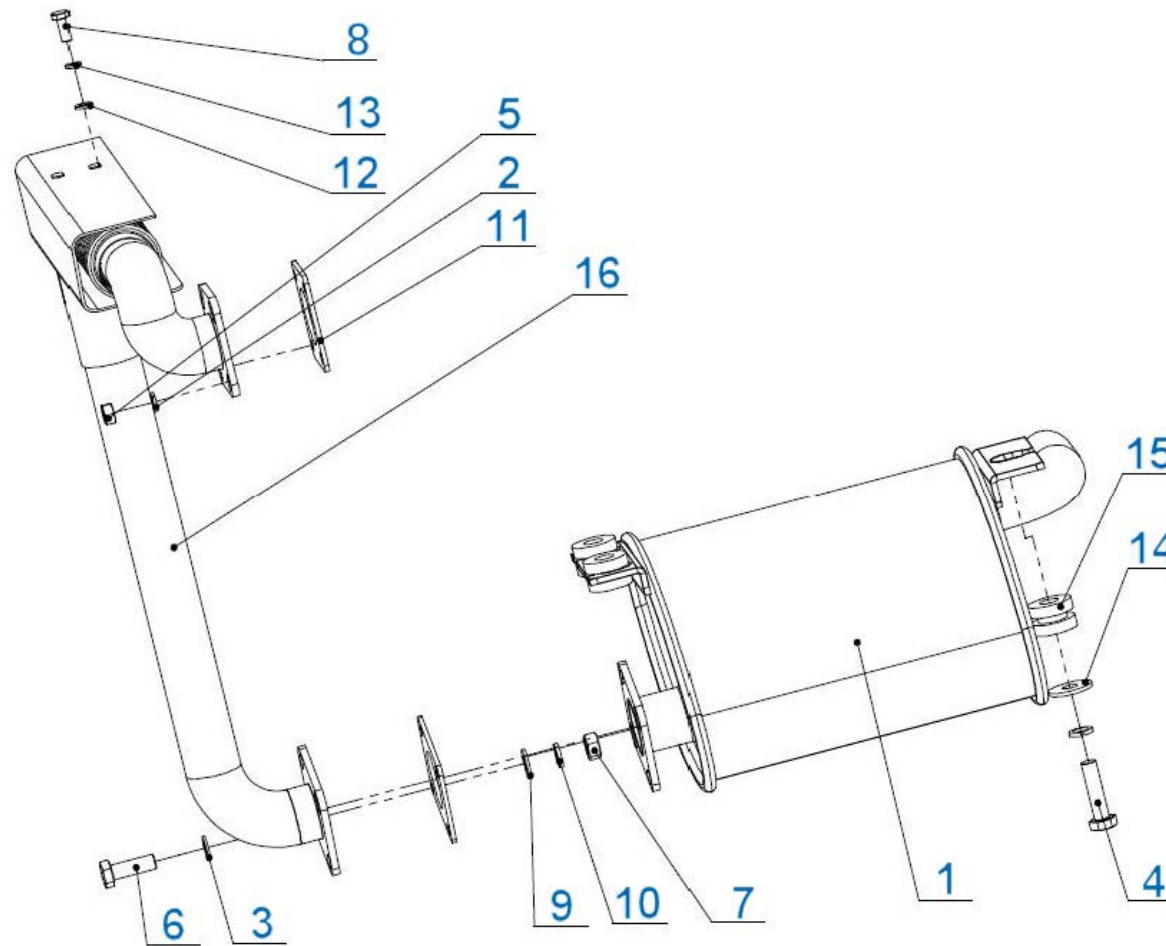
Item	Part number	Part name	Qty	Remark
1	1030-310100-G00	Engine	1	
2	1030-320000-000	Exhaust system	1	
3	1030-330000-000	Air intake system	1	
4	1030-340000-000	Cooling system	1	

2.2 Engine



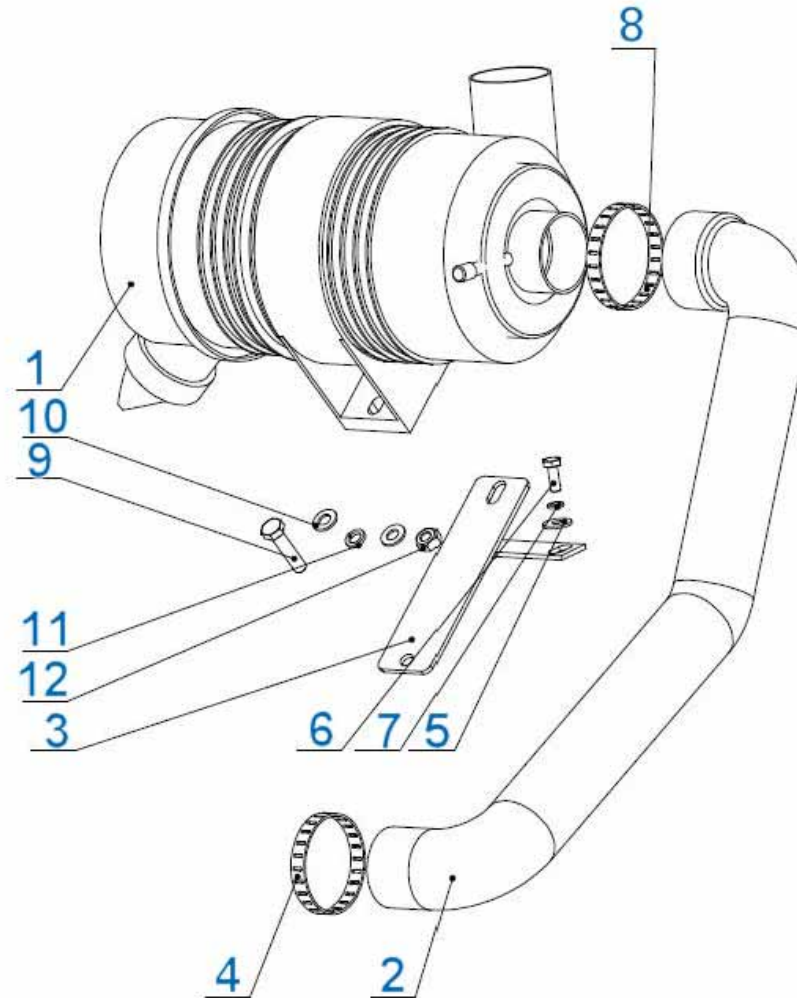
Engine				
Item	Part number	Part name	Qty	Remark
1	000701 080251	Hexagon socket cap screws M8x25	8	
2	GT00093-000008-00	Spring washer 8	5	
3	GT00095-000008-00	Washer	7	
4	GT05781-008025-00	Hexagonal bolt M8x25-4.8	6	
5	GT05781-008035-00	Hexagonal bolt M8x35-4.8	4	
6	GT06170-000008-00	Hex nut M8-8	4	
7	GT00095-000010-00	Flat washer	14	
8	GT00093-000010-00	Spring washer	14	
9	GT05781-010030-00	Hexagon bolt M10x30-4.8	14	
10	GT05781-008020-00	Hexagon bolt M8x20-4.8	3	
11	1030-300400-000	Accelerator cable bracket	1	
14	1030-310110-000	Engine dipstick assy	1	
16	1030-300015-000	Spring	1	
17	1030-300014-000	Accelerator return spring mounting bracket	1	
18	1030-310500-000	1030 Front right machine leg	1	
20	1030-300016-000	Cable connection pin	1	
21	GT00095-000006-00	Flat washer 6	1	
22	GT889P1-000006-00	1 type nonmetal inserts hexagon lock nut M6	1	
24	1030-310400-001	1030 Front left engine leg	1	
26	1030-310100-000	Gas spring seat	1	
27	588890	Coupling	1	
28	1030-310700-000	Left engine leg	1	
29	1030-310600-000	Engine rear leg	1	
30	1030-310001-G00	Coupling shell	1	
31	1030-300100-G00	D902 engine assy	1	

2.3 Exhaust system



Exhaust system				
Item	Part number	Part name	Qty	Remark
1	1030-320300-G00	1030 Muffler	1	
2	GT00093-000008-00	Spring washer 8	1	
3	GT00095-000008-00	Flat washer 8	1	
4	GT05781-010040-00	Hexagon bolt M10x40-4.8	1	
5	GT06170-000008-00	Hex nut M8-8	1	
6	GT05781-010030-00	Hexagon bolt M10x30-4.8	1	
7	GT06170-000010-00	Hex nut M10-8	1	
8	GT05781-006016-00	Hexagon bolt M6x16-4.8	1	
9	GT00095-000010-00	Flat washer 10	1	
10	GT00093-00010-00	Spring washer 10	2	
11	1130-300407-G00	Engine connection strap	2	GT00095
12	GT00095-000006-00	Flat washer 6	1	
13	GT00093-000006-00	Spring washer 6	1	
14	GT00096-000010-00	Big washer 10	1	
15	1130-340006-G00	Upper cushion pad of radiator	3	
16	1030-320100-G00	Exhaust pipe assy	1	

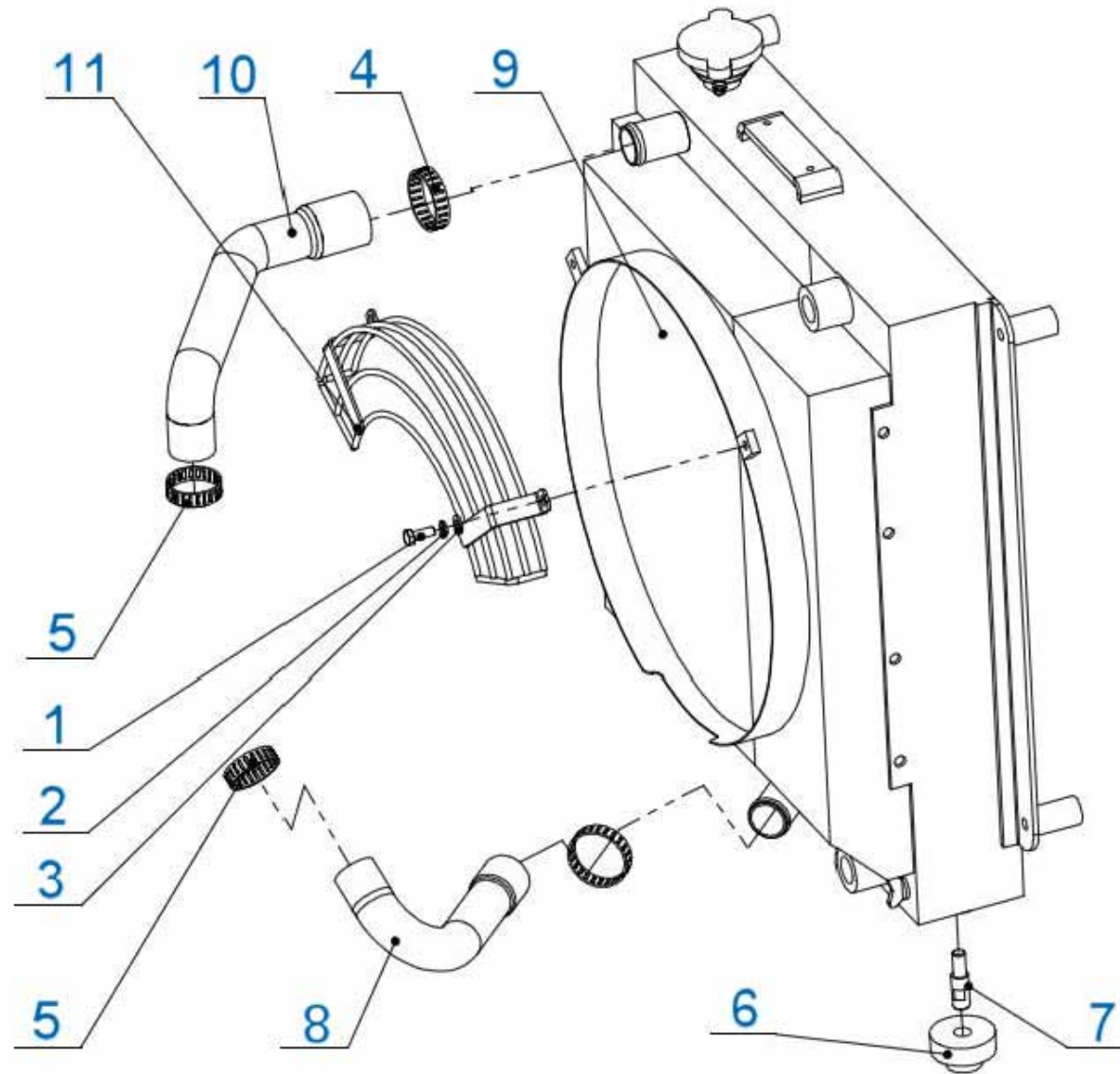
2.4 Air intake system



Air intake system

Item	Part number	Part name	Qty	Remark
1	1030-330100-000	Air filter assy	1	
2	1030-300003-G00	1030 air intake pipe	1	
3	1030-330300-000	Air filter bracket	1	
4	JT08870-051059-00	Hose clamp	1	
5	GT00096-000006-00	Big washer 6	2	
6	GT05781-006016-00	Hexagon bolt M6x16-4.8	2	
7	GT00093-000006-00	Spring washer 6	2	
8	008870 054062	Hose clamp	1	
9	GT05783-008035-00	Hexagon bolt M8x35-8.8	2	
10	000971 000081	Flat washer 8	4	
11	GT06170-000008-00	Hexagon nut M8-8	2	
12	GT00093-000008-00	Spring washer	2	

2.5 Cooling system

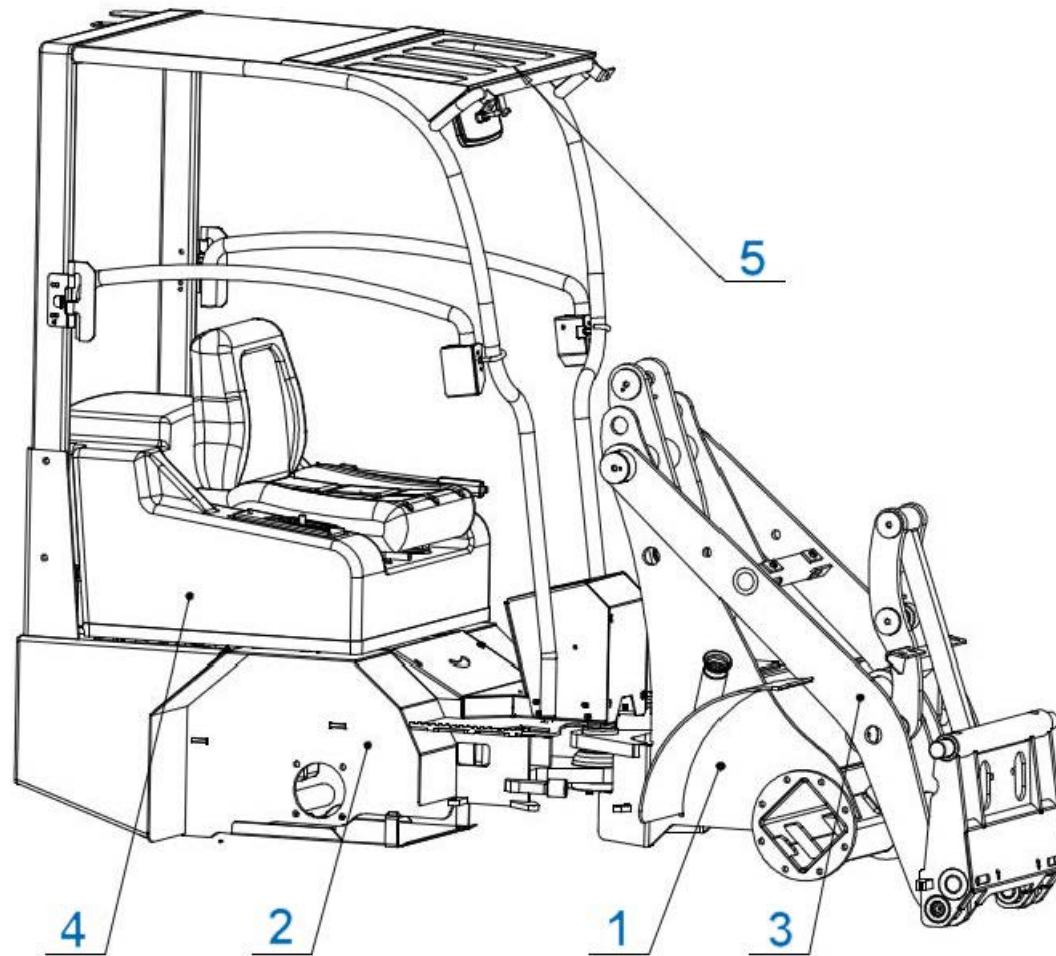


Cooling system

Item	Part number	Part name	Qty	Remark
1	GT05781-006016-00	Hexagon bolt M6x16-4.8	2	
2	GT00093-000006-00	Spring washer 6	2	
3	GT00095-000006-00	Flat washer	2	
4	JT08870-035040-00	Hose clamp 40	2	
5	JT08870-035040-00	Hose clamp 35	2	
6	K30G00 340002	Down cushion pad of radiator	2	
7	1030-340001-000	Down installation bolt of radiator	2	
8	1030-300009-G00	Drain pipe of radiator	1	
9	1030-340100-G01	1030 Radiator	1	
10	1030-300008-G00	Upper pipe of radiator	1	
11	1030-340300-000	Radiator grid guard assy	1	

3. CHASSIS SYSTEM

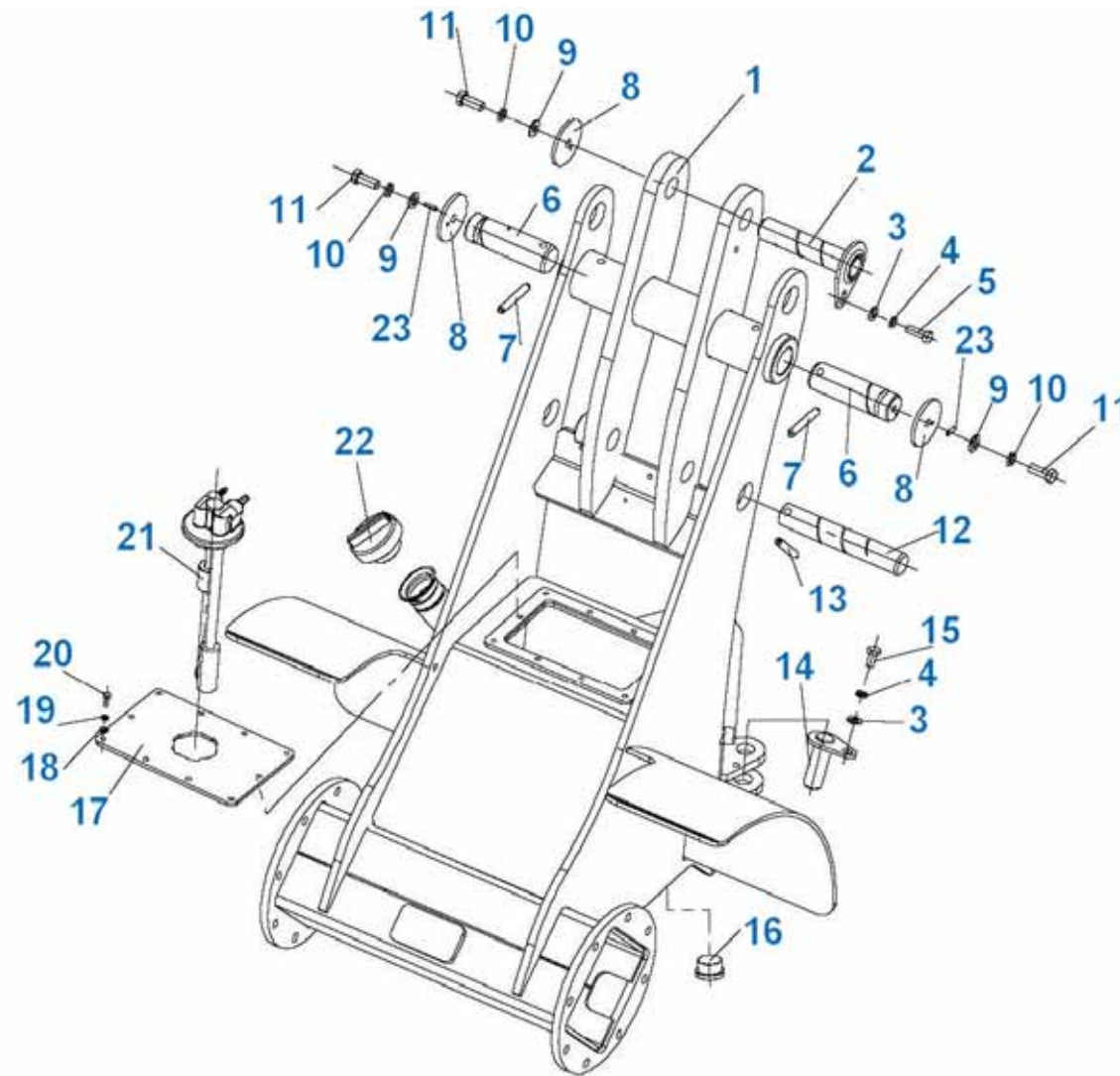
3.1 Chassis system general assembly



Chassis system general assembly

Item	Part number	Part name	Qty	Remark
1	1030-410000-000	Front chassis	1	
2	1030-420000-510	Rear chassis	1	
3	1030-430000-000	Working device	1	
4	1030-441000-000	Bonnet component	1	
5	1030-444000-000	Canopy assy	1	
6	1030-444000-010	Fold overhead guard assy	1	

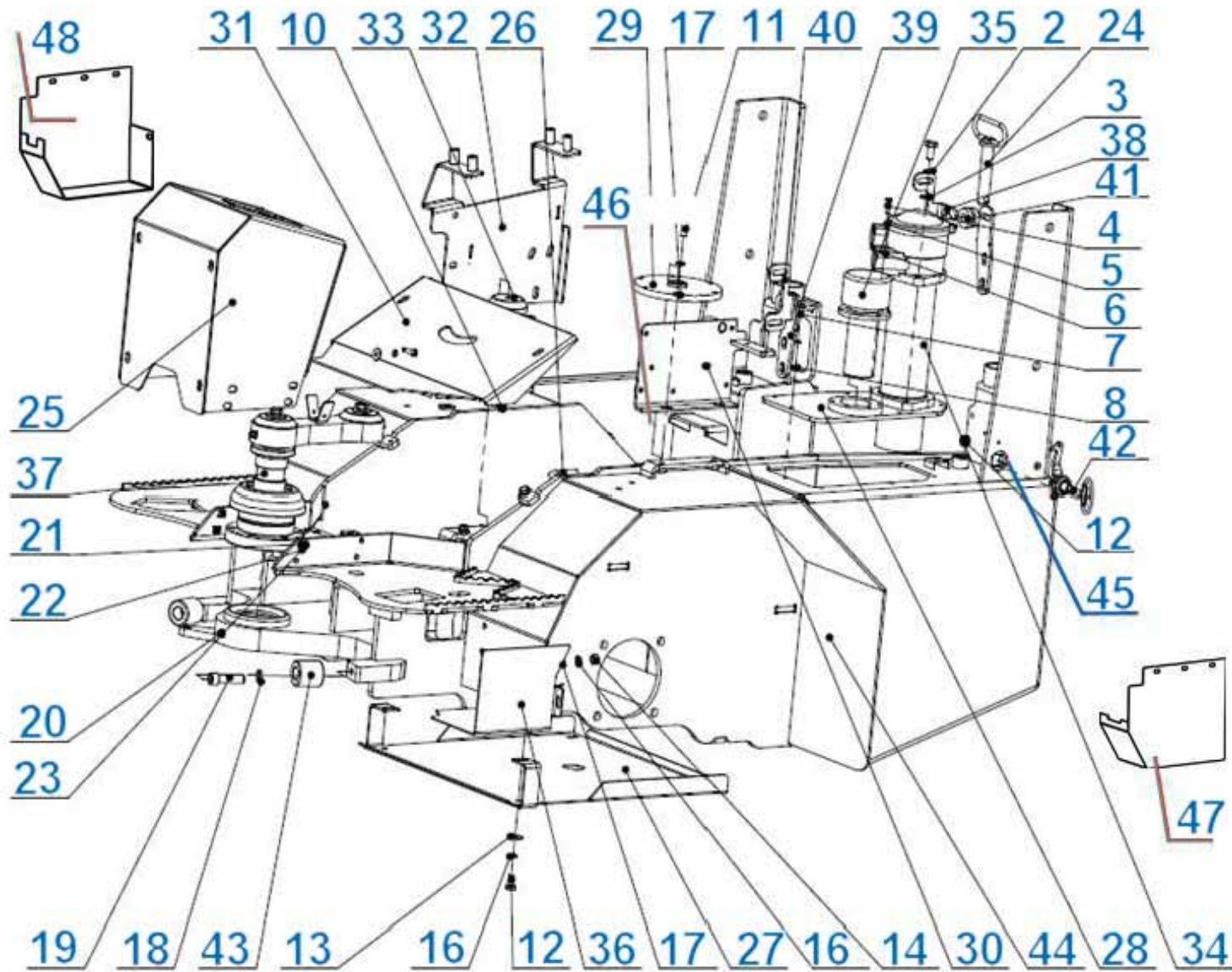
3.2 Front chassis



Front chassis

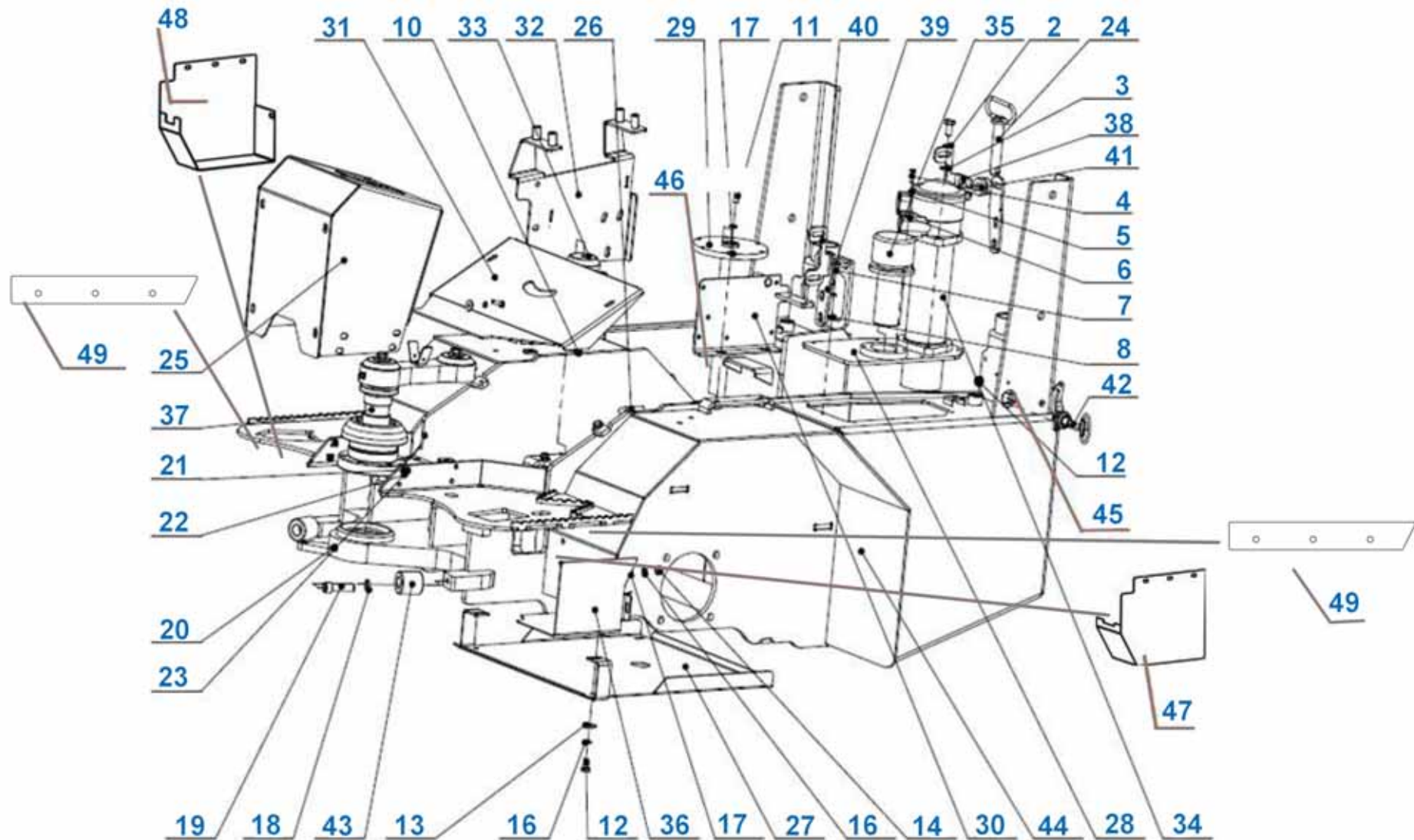
Item	Part number	Part name	Qty	Remark
1	1030-410000-000	Front chassis	1	
2	1130-410200-000	Hinge pin assy	1	
3	GT097P1-000010-00	Washer 10	6	
4	GT00093-000010-00	Washer 10	6	
5	GT5783-010030-00	Bolt M10*30	1	
6	1130-410102-000	Hinge pin	2	
7	GT879P1-010070-00	Elastic cylindrical pin 10 x 70mm	2	
8	1130-400015-000	Washer	3	
9	GT097P1-000012-00	Washer 12	3	
10	GT00093-000012-00	Washer 12	3	
11	GT5783-012030-00	Bolt M12x30	3	
12	1130-400004-000	Hinge pin	1	
13	GT879P1-010050-00	Elastic cylindrical pin 10*50mm	1	
14	1130-200100-000	Hinge pin assy	1	
15	GT5783-010020-00	Bolt M10x20	1	
16	1130-400008-G00	Fuel tank plug G1	1	
17	1130-410035-510	Fuel tank coverplate	1	
18	GT05783-006016-00	Bolt M6x16	8	
19	GT097P1-000006-00	Washer 6	8	
20	GT000093-000006-00	Washer 6	8	
21	1130-701500-G01	Oil measurement sensor	1	
22	1130-410034-G00	Fuel oil tank filler cap	1	
23	GT879P1-005020-00	Cylindrical pin 5*20	2	

3.3 Rear chassis (Part 1)



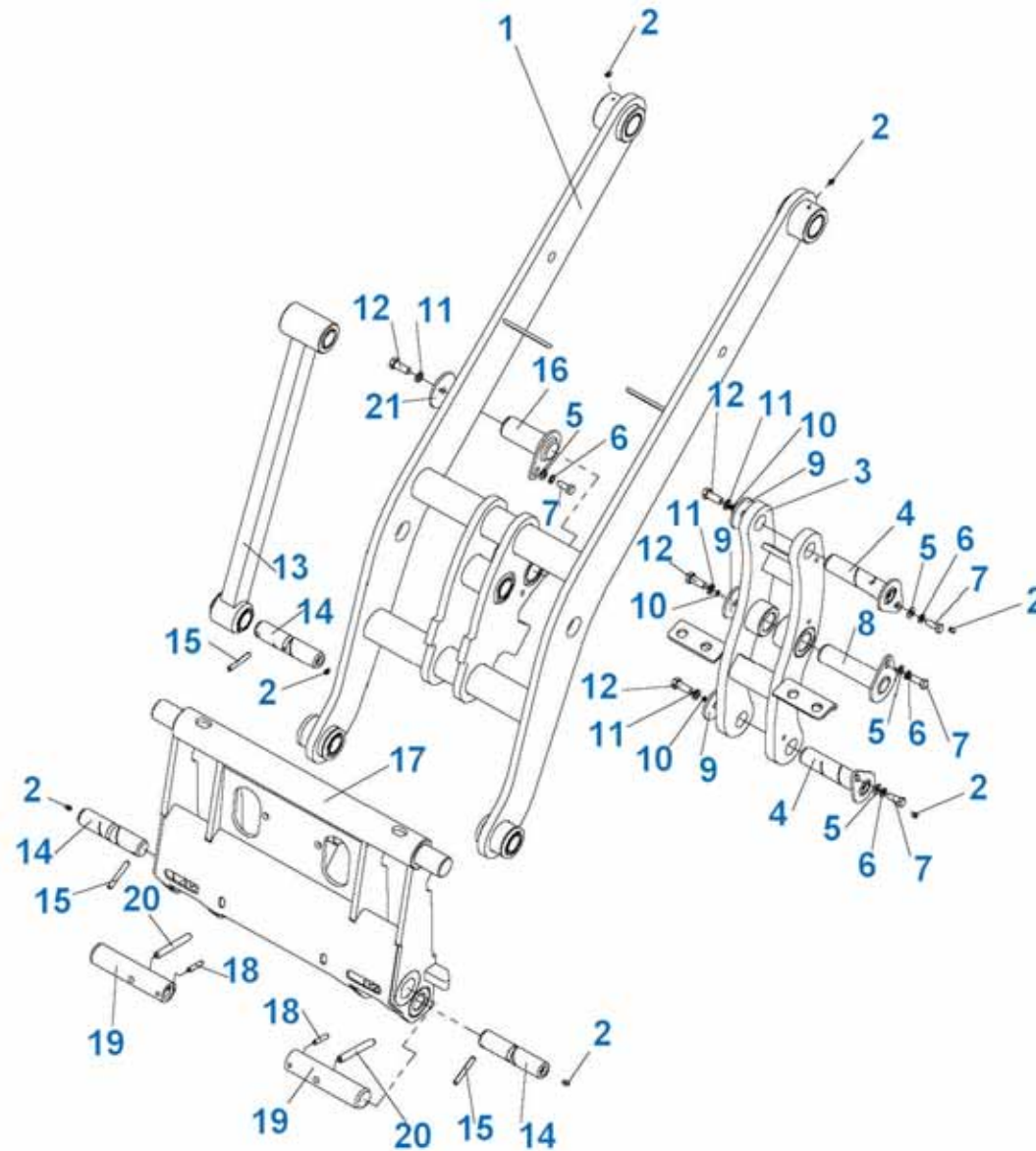
Rear chassis				
Item	Part number	Part name	Qty	Remark
1	GT05781-010020-00	Hexagon bolt M10x20-4.8	2	
2	GT00093-00010-00	Spring washer 10	2	
3	GT00095-000010-00	Flat washer 10	2	
4	GT05781-005020-00	Hexagon bolt M5x20-4.8	6	
5	GT00093-000005-00	Spring washer 5	6	
6	GT00095-000005-00	Flat washer 5	6	
7	GT05781-006016-00	Hexagon bolt M6x16-4.8	6	
8	GT00095-000006-00	Flat washer 6	6	
9	GT06170-000008-00	Hex nut M8-8	4	
10	GT05781-008030-00	Hexagon bolt M8x30-4.8	2	
11	GT05781-008025-00	Hexagon bolt M8x25-4.8	2	
12	GT05781-008016-00	Hexagon bolt M8x16-4.8	4	
13	GT00096-000008-00	Big washer 8	4	
14	GT00041-000008-00	Hex nut M8	2	
15	GT05781-008020-00	Hexagon bolt M8x20-4.8	4	
16	GT00093-000008-00	Spring washer 8	6	
17	GT00095-000008-00	Flat washer 8	8	
18	GT00093-000012-00	Spring washer 12	2	
19	GT0070P1-012045-02	Hexagon socket cap screws M12x4 5-12.9	2	
20	JT79401-010001-00	Oil cup M10x1	4	
21	GT00093-000006-00	Spring washer 6	16	
22	GT00096-000006-00	Big washer 6	16	
23	GT05781-006020-00	Hexagon bolt M6x20-4.8	16	
24	1030-440900-000	Traction plug	1	
25	1030-202000-000	Steering operation assy	1	

3.4 Rear chassis (Part 2)



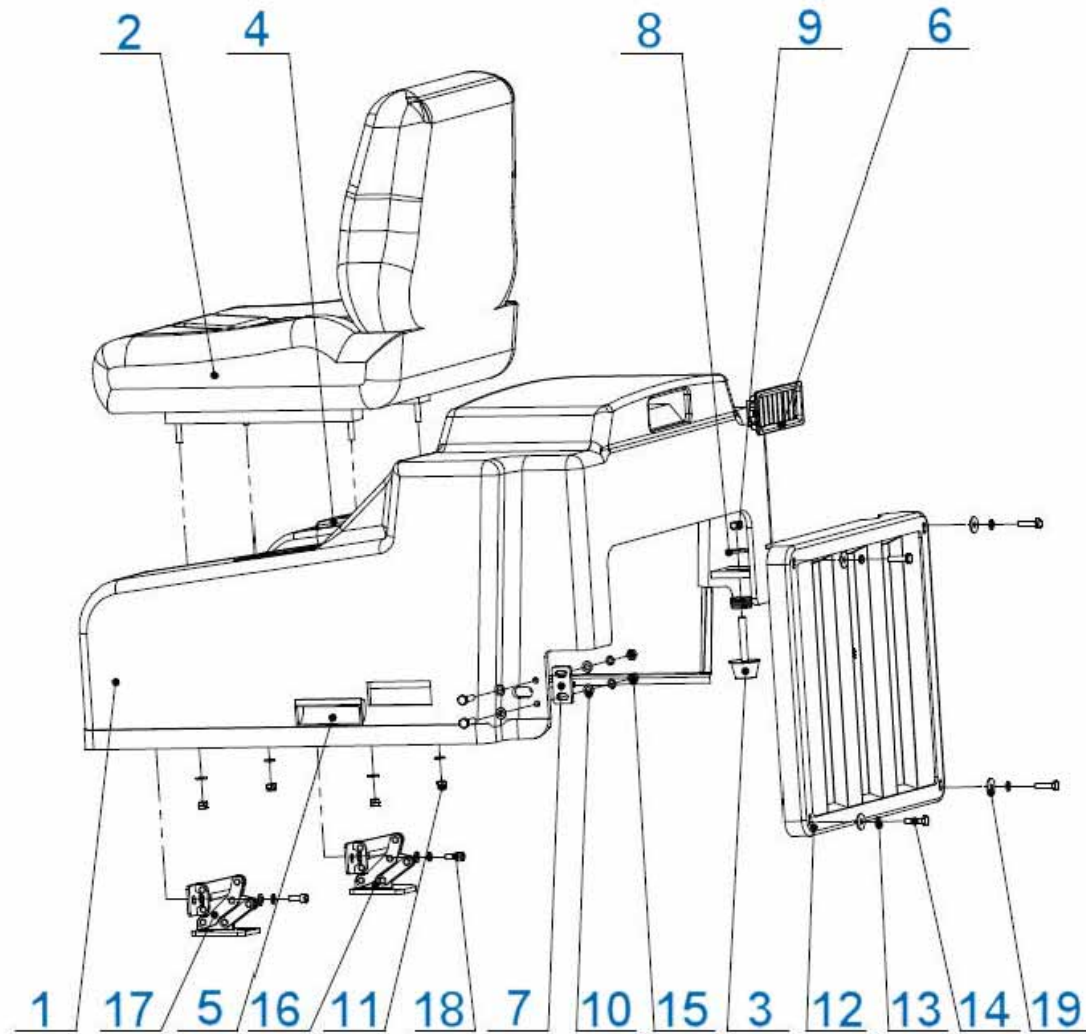
Rear chassis				
Item	Part number	Part name	Qty	Remark
26	1030-420400-000	Cable guard cover	1	
27	1030-420500-000	Rear chassis bottom cover plate	1	
28	1030-421000-000	Left fuel tank cover plate component	1	
29	1030-422000-000	Right fuel tank cover plate	1	
30	1030-440300-000	Mounting bracket component	1	
31	1030-441101-000	Rear chassis front cover plate	1	
32	1030-447000-000	Multitandem valve mount base component	1	
33	1030-310900-G00	1030 engine cushion	4	
34	1130-600700-G00	Absorb and return oil filter	1	
35	1030-600800-G00	Air filter	1	
36	1030-500022-000	Protective plate	1	
37	1030-401100-000	Spherical hinge assy	1	
38	1030-340005-000	Water tank left bracket	1	
39	1030-420067-000	Transition bracket	2	
40	1030-340006-000	Water tank left bracket	1	
41	1130-340006-G00	Upper cushion pad of water tank	2	
42	1030-420600-000	Lock assy	1	
43	1030-400901-001	Steering damping block	2	
44	1030-420000-000	Rear chassis weld assy	1	
45	1030-400009-000	Lock spring	1	
46	D109×3.55	O-Ring (D109×3.55)	1	
47	1030-501000-000	Right side protection plate	1	
48	1030-502000-000	Left side protection plate	1	
49	1030-420089-000	Protection plate fasteners	2	

3.5 Working device



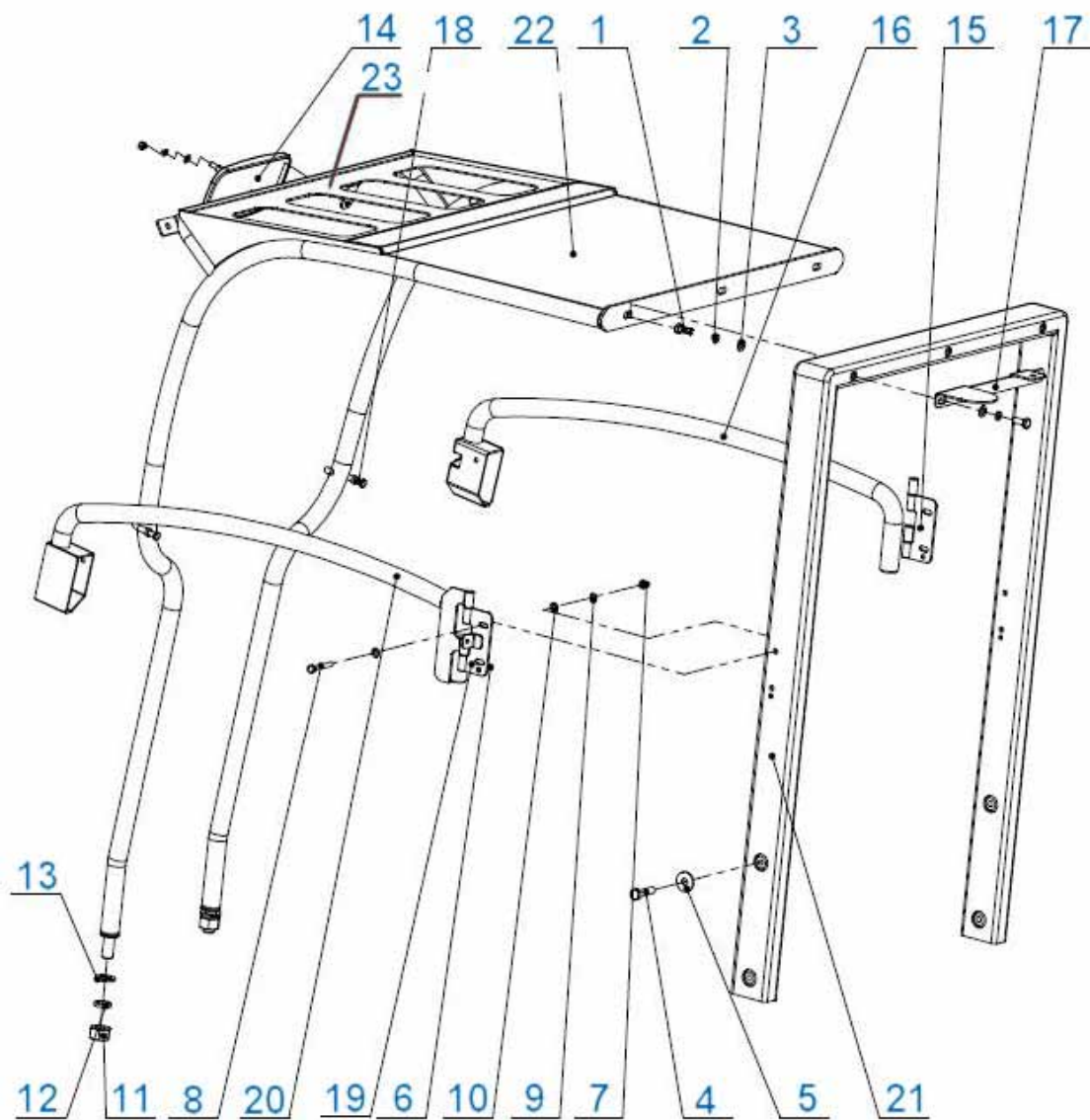
Working device				
Item	Part number	Part name	Qty	Remark
1	1030-431000-000	Arm assy	1	
2	J1970-P1-006000-00	M6 Cut through oil cup	9	
3	1030-433000-000	Crank arm assy	1	
4	1130-430200-001	Hinge pin assy	2	
5	GT097P1-000010-00	Washer 10	4	
6	GT00093-000010-00	Washer 10	4	
7	GT05783-010025-00	Bolt M10x25	4	
8	1030-430300-001	Hinge pin assy	1	
9	1130-400012-000	Washer	3	
10	GT097P1-000012-00	Washer 12	5	
11	GT00093-000012-00	Washer 12	5	
12	GT05783-012030-00	Bolt M12x30	5	
13	1030-435000-000	Connecting rod assy	1	
14	1130-400016-001	Hinge pin	3	
15	GT879P1-0008060-00	Pin 8x60	3	
16	1130-430100-000	Hinge pin assy	1	
17	810-432000-000	Quickhitch assy	1	
18	GT119P1-008040-00	Pin 8x40	2	
19	1130-400014-000	Hinge pin	2	
20	GT119P1-012100-00	Pin 12x100	2	
21	1130-400015-000	Washer	1	

3.6 Bonnet assy



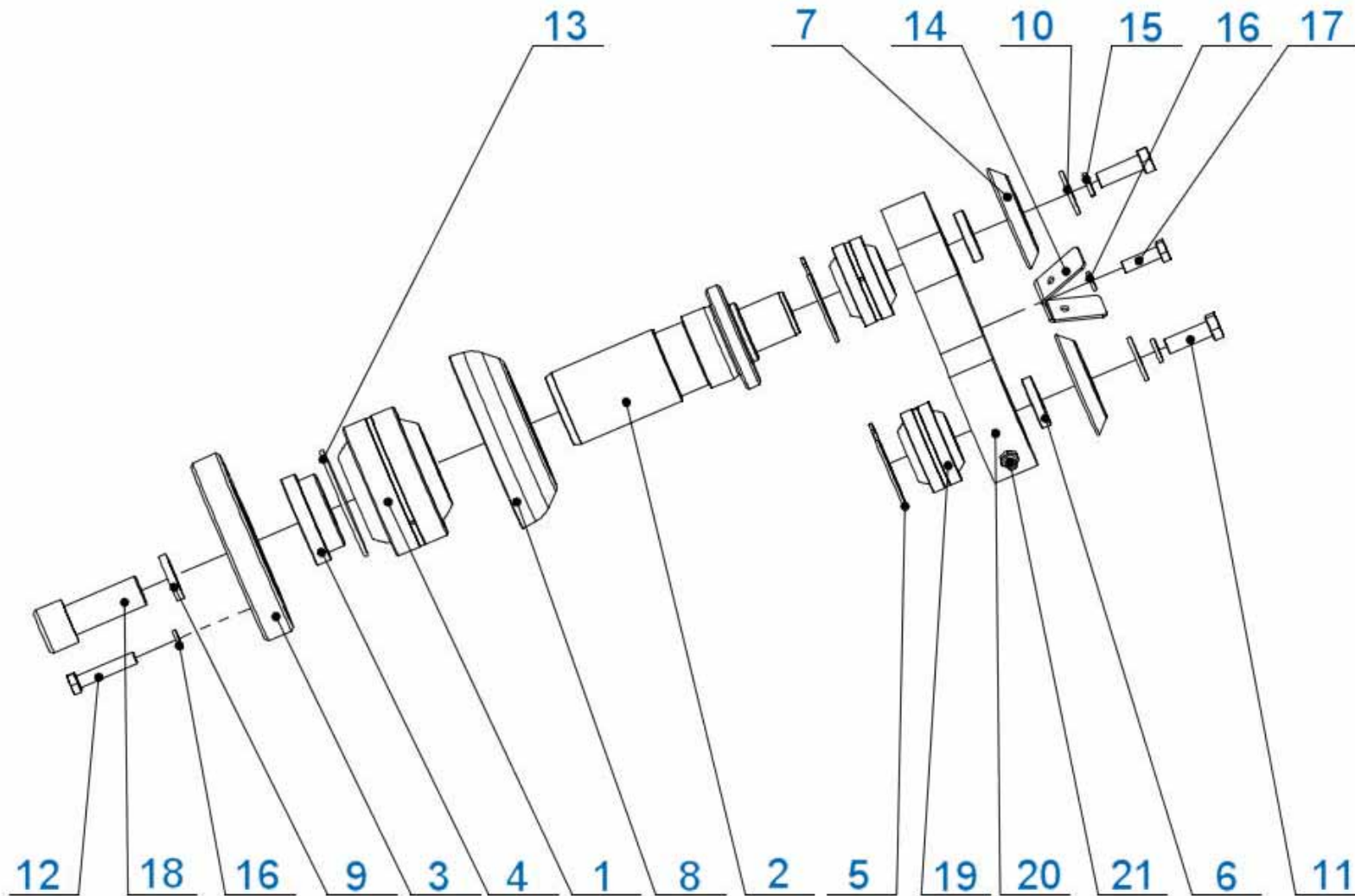
Bonnet assy				
Item	Part number	Part name	Qty	Remark
1	1030-441001-G01	1030 Bonnet	1	
2	1130-440100-G00	Seat	1	
3	1030-441600-G00	1030 Bonnet cushion	2	
4	1030-441002-G00	1030 Multitandem valve cover	1	
5	E25G00 520005	Battery interior handle	1	
6	1030-441004-G00	Intake air louver	1	
7	QC20-422000-000	Lock assy	1	
8	GT00961-000010-00	Big washer 10	14	
9	006170 010001	Nut M10	2	
10	GT00095-000008-00	Flat washer 8	12	
11	GT889P1-000008-00	Hexagonal locking nut 8	4	
12	1030-445000-000	1030 tail cover	1	
13	GT00093-000008-00	Spring washer 8	10	
14	GT05781-008030-00	Hexagon bolt M8x30-4.8	6	
15	GT06170-000008-00	Hex nut M8-8	2	
16	1030-445200-000	Bonnet hinge (right)	1	
17	1030-445200-010	Bonnet hinge (left)	1	
18	GT070P1-008020-00	Hexagon socket cap screws M8x20 -8.8	4	
19	GT00096-000008-00	Big washer 8	4	

3.7 Canopy assy



Canopy assy				
Item	Part number	Part name	Qty	Remark
1	GT05781-010025-00	Hexagon bolt M10x25-4.8	3	
2	GT00093-00010-00	Spring washer10	6	
3	GT00095-000010-00	Flat washer 10	6	
4	GT05781-012050-00	Hexagon bolt M12x50-4.8	4	
5	GT00096-000012-00	Big washer 12	4	
6	GT879P1-008040-00	Elastic cylindrical pin 8x40	2	
7	GT06170-000008-00	Hex nut M8-8	2	
8	005780 080601	Hexagon bolt M8x55-4.8	4	
9	GT00093-000008-00	Spring washer 8	4	
10	GT00095-000008-00	Flat washer 8	8	
11	GT00041-000022-00	Hex nut M22	2	
12	GT00093-000020-00	Spring washer 20	2	
13	GT00095-000020-00	Flat washer 20	2	
14	1130-440900-G00	Mirror	1	
15	1030-475000-000	Guard hinge plate assy (right)	1	
16	1030-473000-000	Cabin guard assy (right)	1	
17	1030-440010-000	Beacon bracket	1	
18	1030-427009-000	Lock latch	2	
19	1030-474000-000	Guardrail hinge plate assembly (left)	1	
20	1030-472000-000	Cabin guard assy (left)	1	
21	1030-444100-000	Canopy rear pillar	1	
22	1030-444000-000	Canopy front pillar assy	1	
23	K30000 580001	Top glass	1	

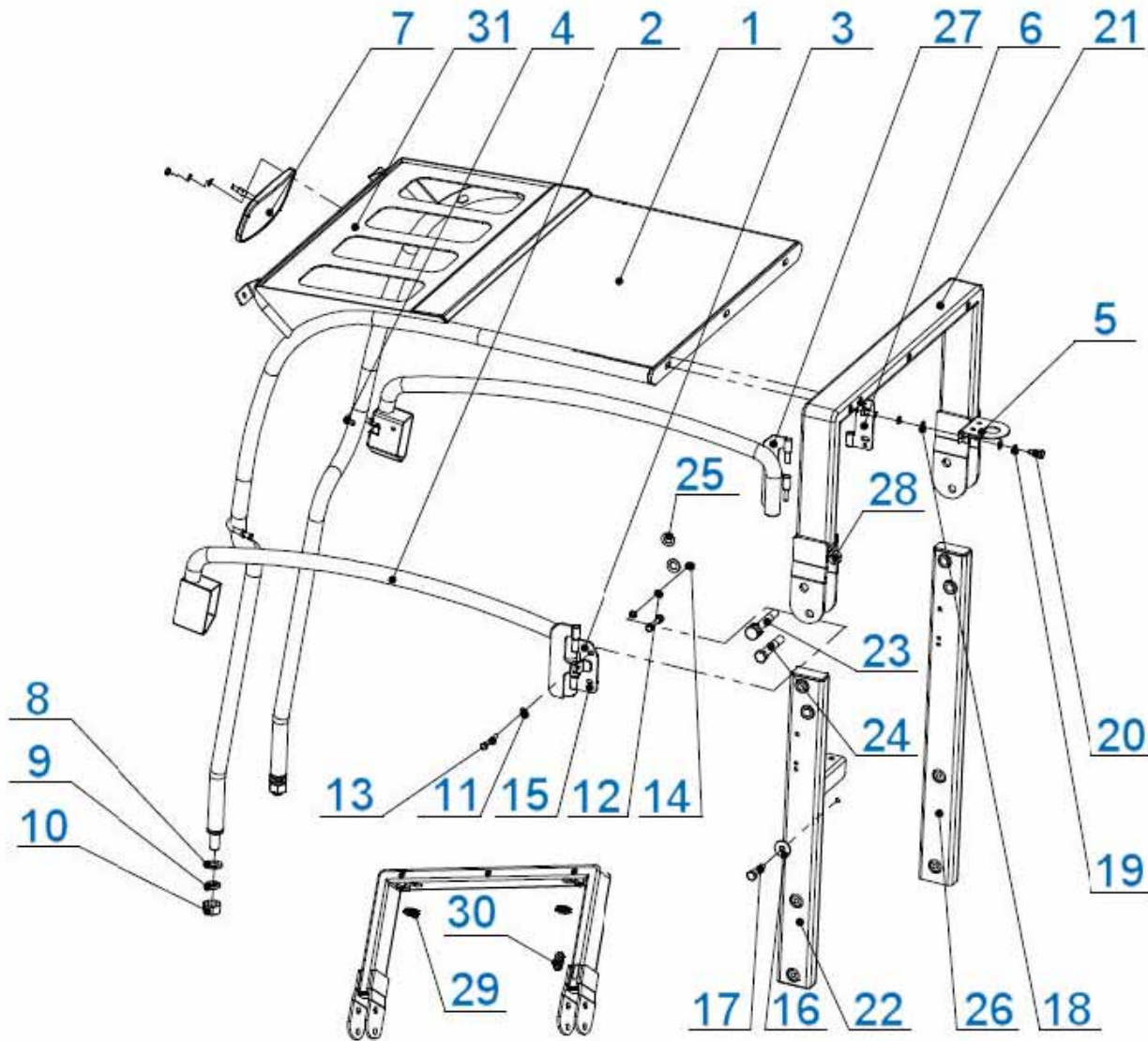
3.8 Spherical hinge assy



Spherical hinge assy

Item	Part number	Part name	Qty	Remark
1	1030-401110-G00	Radial knuckle bearing GEG50ES-2RS	1	
2	1030-401101-000	Spherical hinge pin	1	
3	1030-401103-000	Lower platen of spherical hinge	1	
4	1030-401102-000	Platen of spherical hinge	1	
5	0008931 000551	Circlip for hole 55	2	
6	1030-401106-000	Upper platen	2	
7	1030-401104-000	Upper sealed cap	2	
8	1030-401105-000	Down sealed cap	1	
9	GT00093-000020-00	Spring washer 20	1	
10	GT00096-000010-00	Big washer 10	2	
11	GT05783-010030-00	M10x30-8.8	2	
12	GT05783-008040-00	M8x40-8.8	3	
13	034521 690265	O ring 69x2.65	1	
14	1030-440201-000	Fuel strainer fixed ring	1	
15	GT00093-00010-00	Spring washer 10	2	
16	GT00093-000008-00	Spring washer 8	6	
17	GT05781-008025-00	Hexagon bolt M8x25-4.8	1	
18	GT070P1-020050-02	Hexagon socket cap screws M20x50-12.9	1	
19	1030-400110-G00	Centripetal knuckle bearing	2	
20	1030-400101-000	Spherical hinge connecting rod	1	
21	079401 010101	Oil cup M10x1	2	

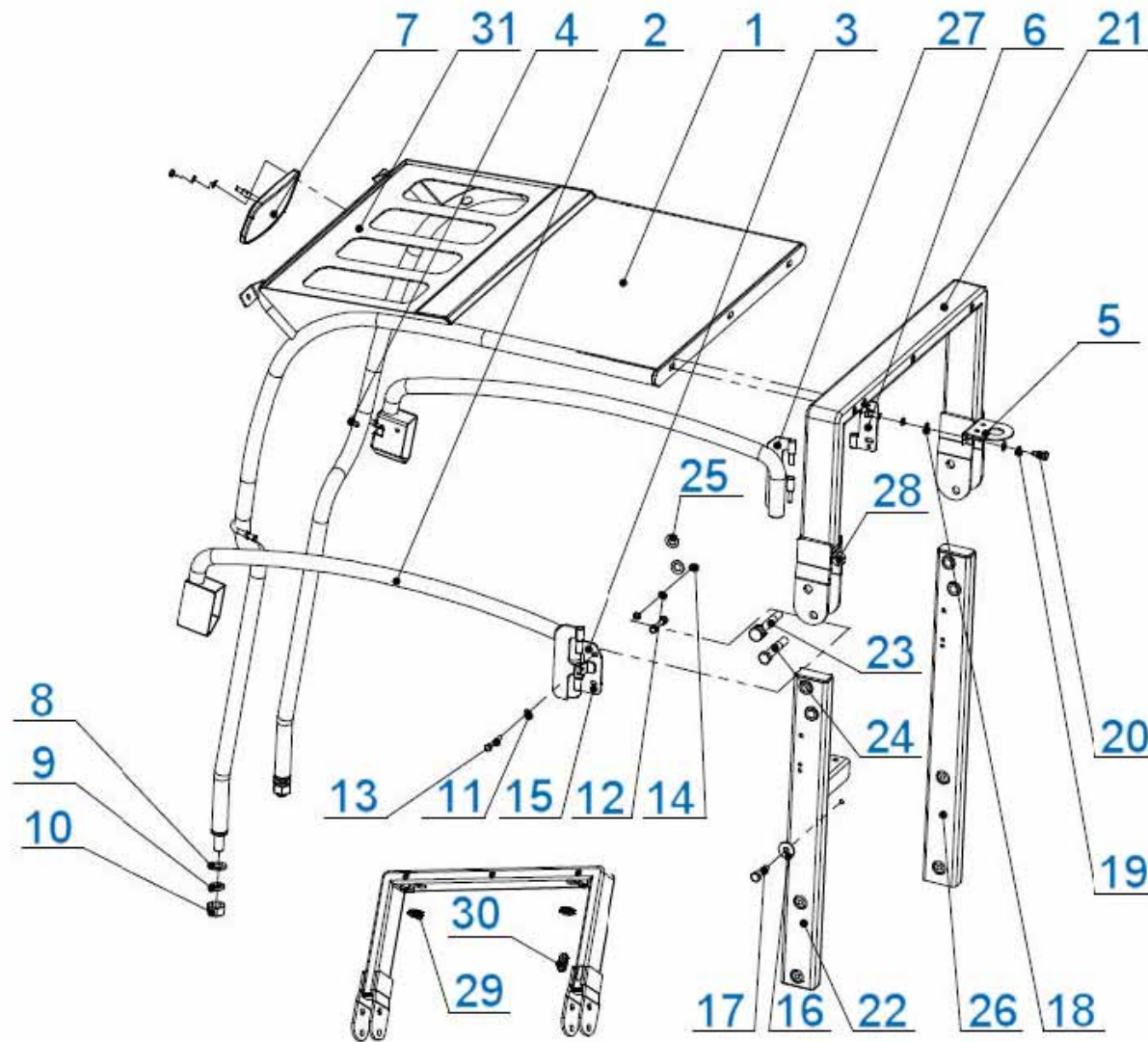
3.9 Fold overhead guard assy (Part 1)



Fold overhead guard assy

Item	Part number	Part name	Qty	Remark
1	1030-444400-010	Top guard welding assy	1	
2	1030-472000-000	Cabin guard bar assy (left)	1	
3	1030-474000-010	Guard bar hinge plate assy (left)	1	
4	1030-427009-000	Door lock	2	
5	1030-440010-010	Warning light bracket	1	
6	1030-475000-000	Guard bar hinge plate assy (right)	1	
7	1130-440900-G00	Mirror	1	
8	000095 000201	Flat washer 20	2	
9	GT00093-000020-00	Spring washer 20	2	
10	000041 022001	Hexagonal nut M22	2	
11	GT00095-000008-00	Flat washer 8	4	
12	GT00093-000008-00	Spring washer 8	4	
13	005780 080601	Hexagon head bolts M8x55-4.8	4	
14	GT06170-000008-00	Hexagonal nut M8-8	4	
15	GT879P1-008040-00	Pin 8*40	2	
16	GT00096-000012-00	Big washer 12	4	
17	GT05781-012050-00	Hexagon head bolts M12x50-4.8	4	
18	GT00095-000010-00	Flat washer 10	4	
19	GT00093-000010-00	Spring washer 10	4	
20	GT05781-010025-00	Hexagon head bolts M10x25-4.8	4	
21	1030-444100-010	Top head guard rear mast	1	
22	1030-444500-010	Left column	1	
23	1030-444109-010	Pin	2	
24	1030-444108-010	Rear bending fix bolt	2	

3.10 Fold overhead guard assy (Part 2)

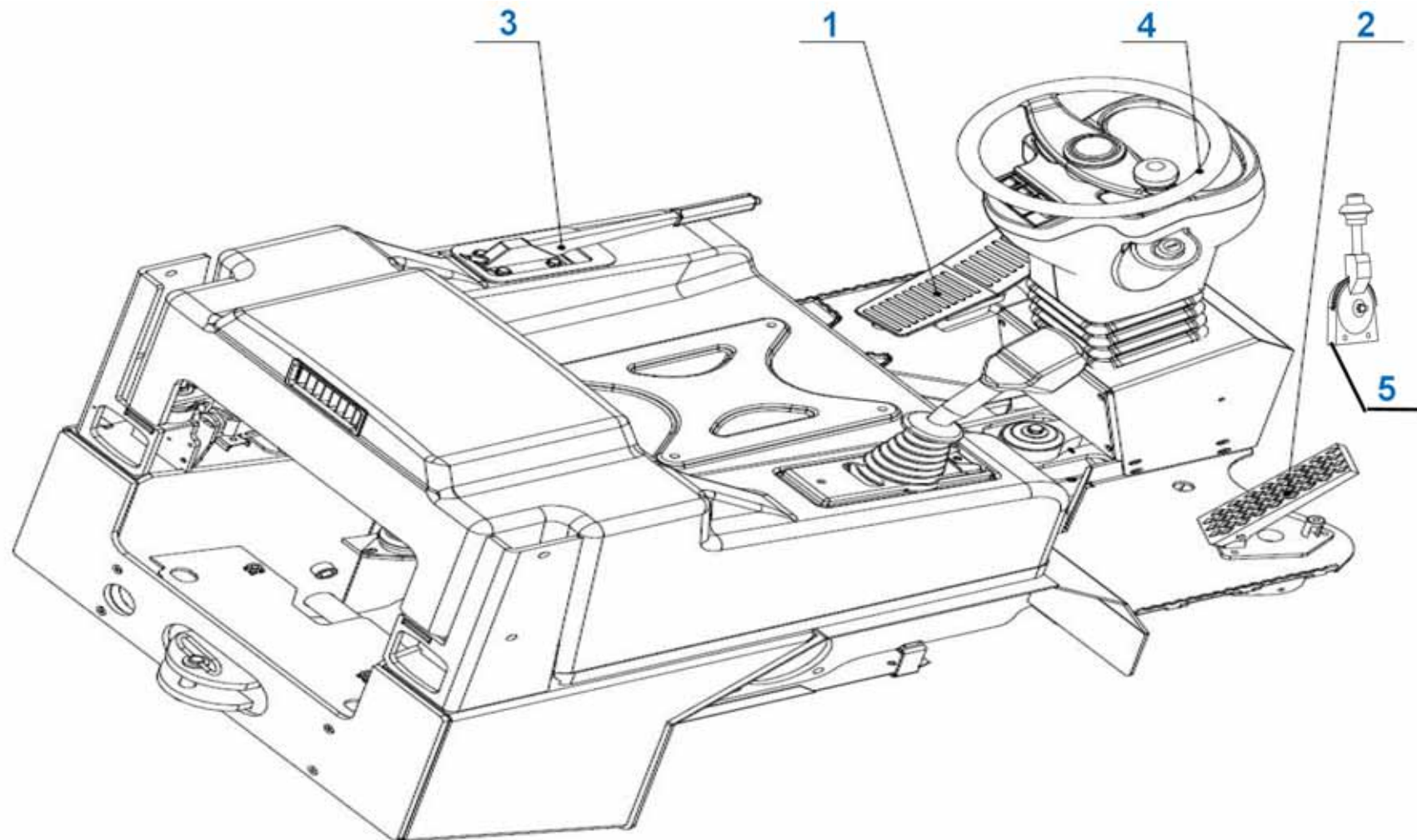


Fold overhead guard assy

Item	Part number	Part name	Qty	Remark
25	GT00095-000016-00	Washer 16	4	
26	1030-444700-010	Right column	1	
27	1030-471000-000	Cabin guard bar assy (right)	1	
28	1030-445400-G00	Shock pad	2	
29	1030-444028-G00	Round coil	3	
30	1030-444029-G00	Flat coil	2	
31	K30000 580001	Top glass	1	

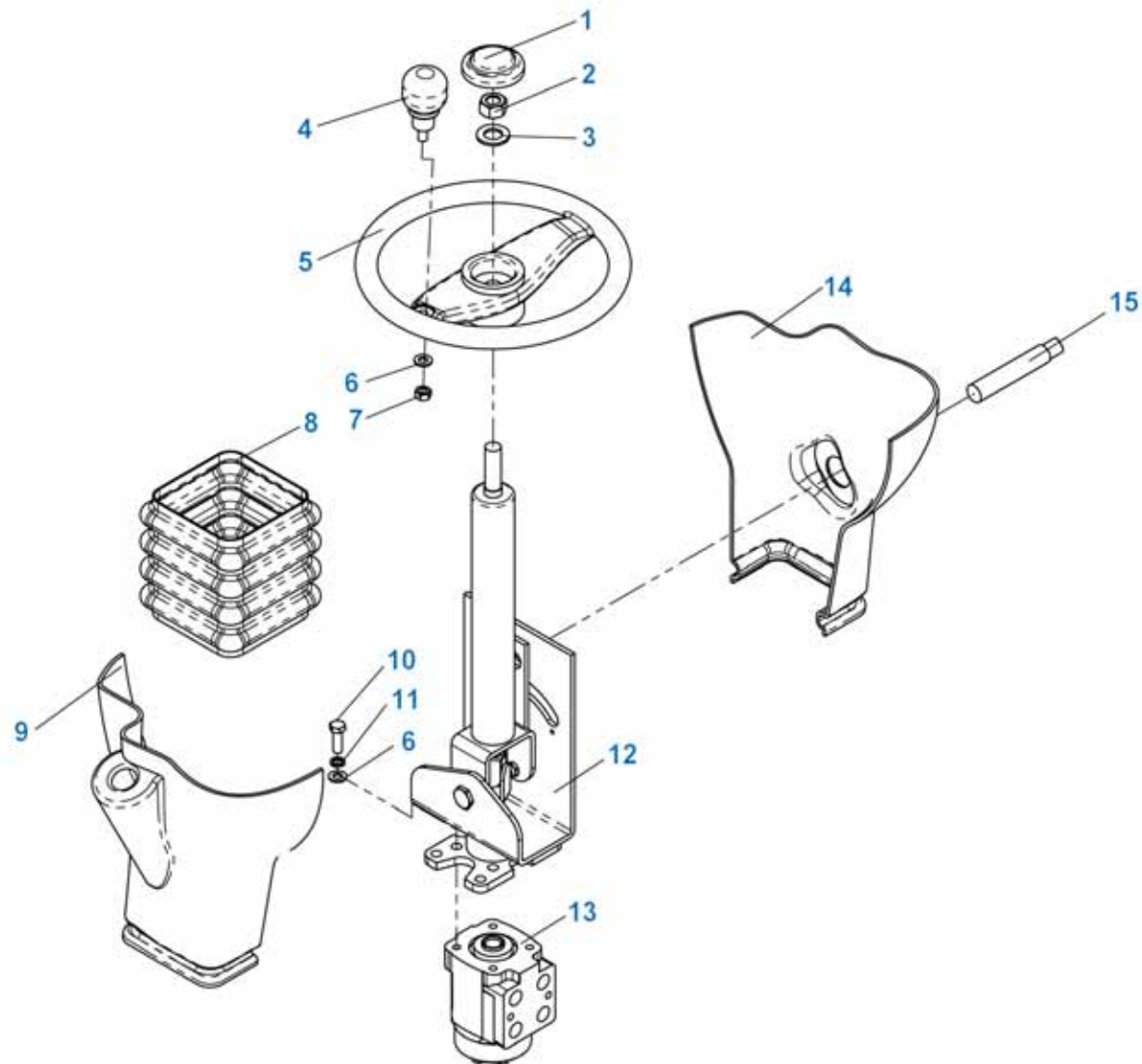
4. OPERATION SYSTEM

4.1 General assembly of operation system



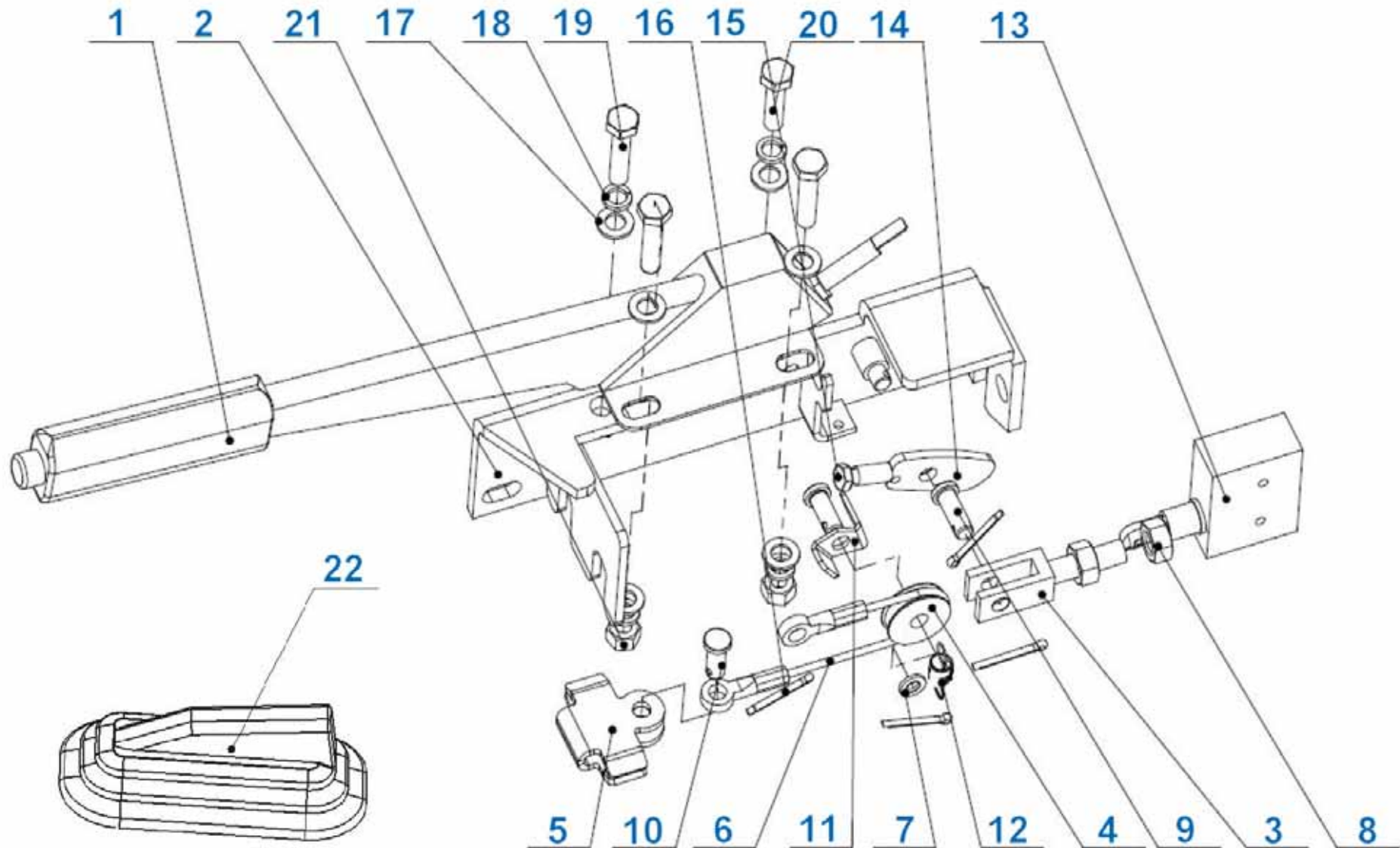
General assembly of operation system				
Item	Part number	Part name	Qty	Remark
01A	1030-540000-000	Foot valve operation	1	Configuration 1
02A	1030-530000-000	Accelerator operation	1	Configuration 1
03	1030-520000-000	Hand brake operation	1	
04	1030-510000-000	Steering operation	1	
05	1030-550000-000	Hand throttle	1	
01B	-	-	1	Configuration 2
02B	1030-540000-000	Foot valve operation	1	Configuration 2
01C	800-500300-500	Brake operation	1	Configuration 3
02C	1030-540000-000	Foot valve operation	1	Configuration 3

4.2 Steering



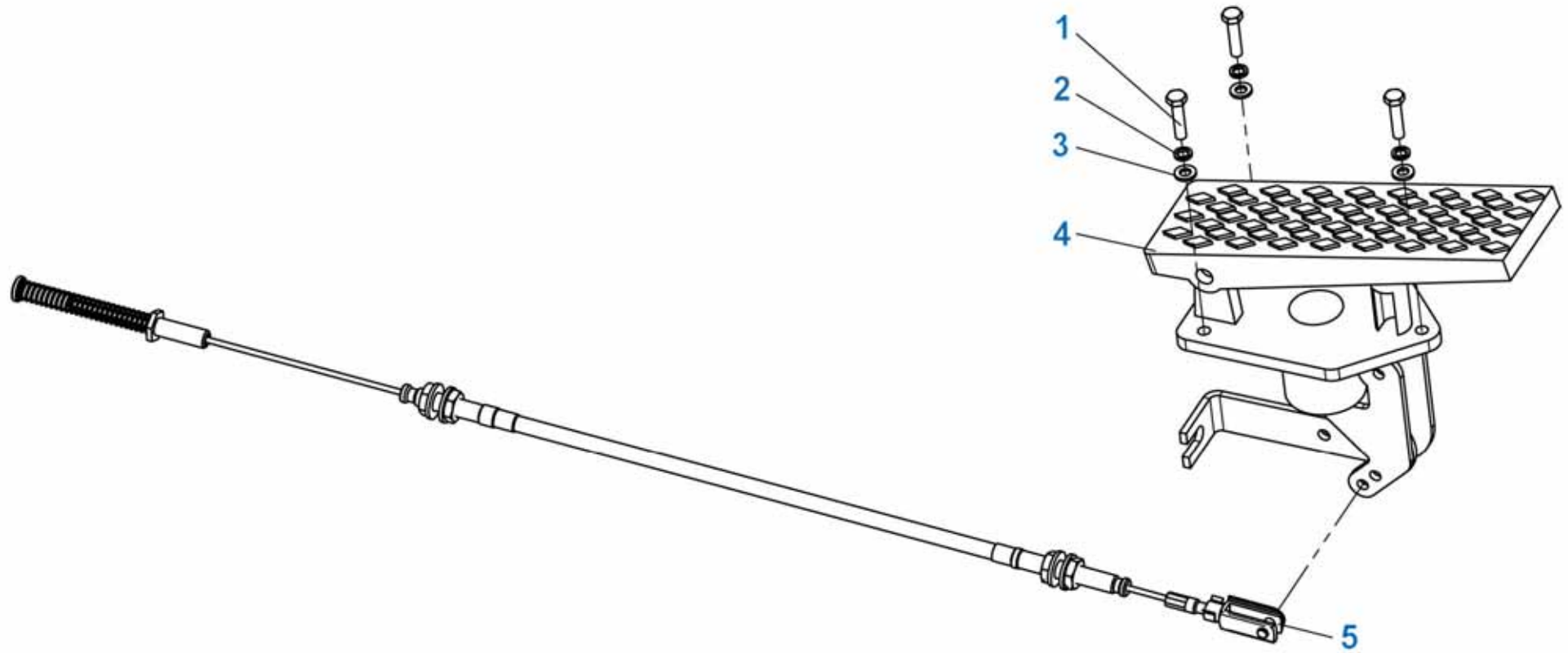
Steering				
Item	Part number	Part name	Qty	Remark
1	1130-710008-G00	Steering wheel cap	1	
2	1130-710007-G00	Nut 2	1	
3	GT00093-000008-00	Washer	1	
4	1130-710006-G00	Direction handle	1	
5	1130-710005-G00	Steering wheel	1	
6	GT097P1-000010-00	Washer 10	5	
7	1130-710003-G00	Nut	1	
8	1130-710021-G00	Sheathing	1	
9	1130-710001-G00	Low right shell	1	
10	GT05783-010030-00	Bolt M10x30	4	
11	GT00093-000010-00	Washer 10	4	
12	1130-710100-G00	Steering column assy	1	
13	1130-200200-G00	Steering gear assy	1	
14	1130-710022-G00	Low left shell	1	
15	1130-710023-G00	Lock handle	1	

4.3 Handbrake



Handbrake				
Item	Part number	Part name	Qty	Remark
1	1130-500600-G00	Handbrake lever assy	1	
2	1030-500700-001	Cable mounting bracket	1	
3	1030-500001-000	U block	1	
4	1030-500002-000	Connect pulley	1	
5	K30000 630003	Coil holder	1	
6	1030-500100-G00	Steel wire component	1	
7	GT097P1-000006-00	Flat washer 6	1	
8	006170 010001	Nut M10	2	
9	000882 080222	Hinge Pin B8x22	1	
10	000882 080202	Hinge Pin B8x20	2	
11	1030-500603-000	Angle block	1	
12	1030-300018-G00	Spring	1	
13	E25G00 800900	Position limit switch	1	
14	1030-500200-000	Contact pad	1	
15	GT05781-006016-00	Bolt M6×16	1	
16	GT00091-032025-00	Cotter3.2x25	4	
17	GT00095-000008-00	Flat washer 8	6	
18	GT00093-000008-00	Spring washer 8	4	
19	GT05781-008035-00	M8x35-4.8	3	
20	GT05781-008030-00	M8x30-4.8	1	
21	GT00041-000008-00	Hex nut M8	2	

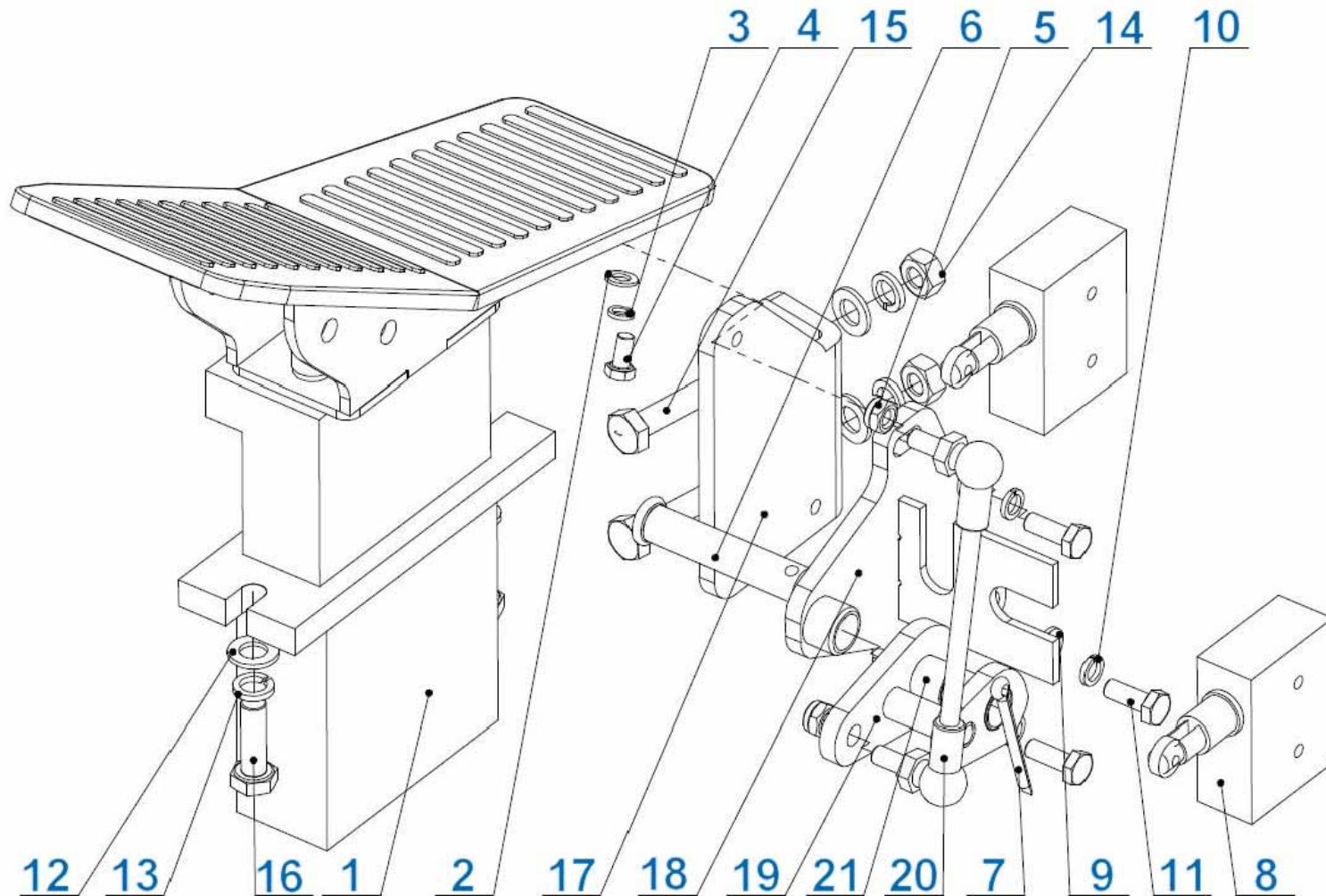
4.4 Accelerator operation



Accelerator operation

Item	Part number	Part name	Qty	Remark
1	GT05783-006025-00	Bolt M6x25	3	
2	GT00093-000006-00	Washer 6	3	
3	GT097P1-000006-00	Washer 6	3	
4	1130-300100-000	Accelerator pedal component	1	
5	1030-360100-000	Accelerator cable component	1	

4.5 Foot pedal valve

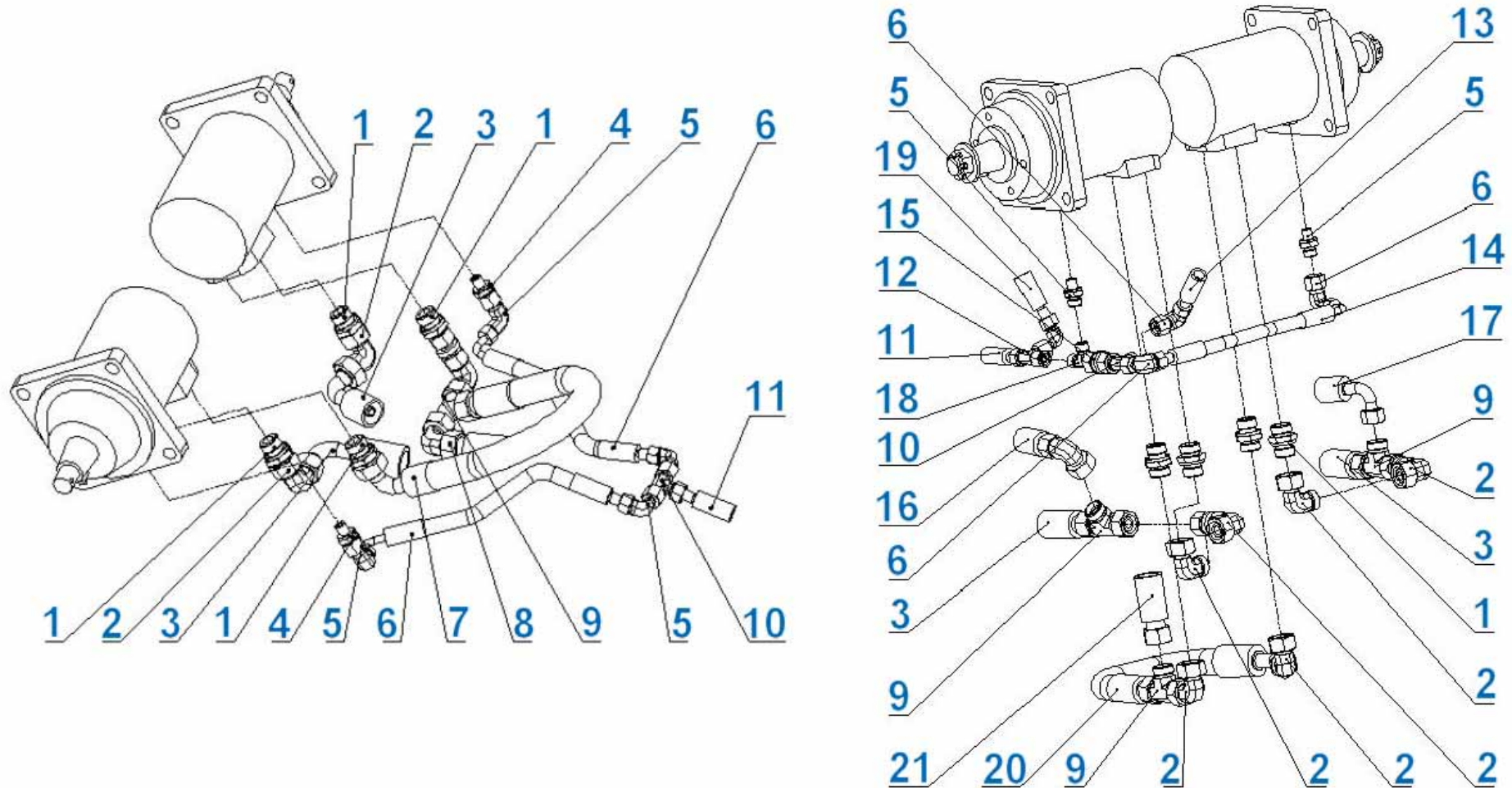


Foot pedal valve

Item	Part number	Part name	Qty	Remark
1	1030-600700-G00	Foot Pedal Assy	1	
2	GT00095-000005-00	Flat washer 5	2	
3	GT00093-000005-00	Spring washer 5	2	
4	GT05781-005012-00	Hexagon bolt M5x10-4.8	2	
5	GT889P1-000006-00	Hexagon lock nut M6	2	
6	GT00882-012060-00	Hinge pin 12x60	1	
7	GT00091-040040-00	Cotter 4x40	1	
8	E25G00 800900	Position limited switch	2	
9	GT00095-000006-00	Flat washer 6	3	
10	GT00093-000006-00	Spring washer 6	3	
11	GT05781-006016-00	Hexagon bolt M6x16-4.8	3	
12	GT00095-000008-00	Flat washer 8	6	
13	GT00093-000008-00	Spring washer 8	4	
14	GT06170-000008-00	Hex nut M8-8	2	
15	GT05781-008030-00	Hexagon bolt M8x30-4.8	2	
16	GT05781-008025-00	Hexagon Bolt M8x25-4.8	2	
17	1030-500012-000	Angle block	1	
18	1030-500400-000	Mounting bracket component	1	
19	1030-500500-000	Camshaft assy	1	
20	1030-500600-000	Accelerator spherical hinge assy	1	
21	1030-500503-G00	Oilless bearing	2	

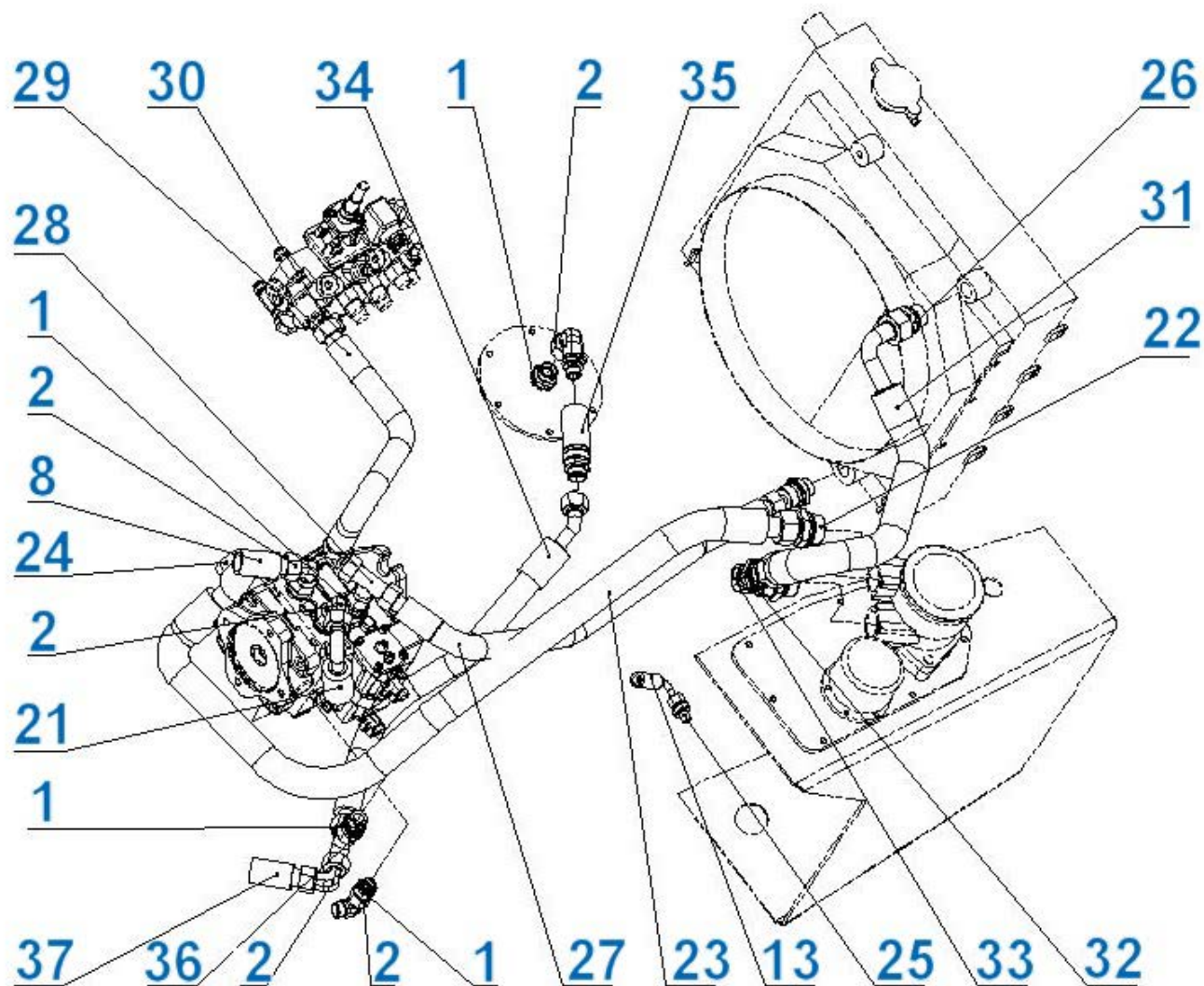
5. HYDRAULIC SYSTEM

5.1 Hydraulic system (plunger pump motor) (Part 1)



Hydraulic system (plunger pump motor) (Part 1)				
Item	Part number	Part name	Qty	Remark
1	Q-GE15L G1-2 ED	Straight joint	4	G1/2-M22x1.5
2	Q-EW15L M22x1.5	Right angle connector	2	
3	1030-613800-G00	Rubber hose assy L=1080-20	2	M22x1.5-90-M22x1.5
4	1030-624100-G00	Straight joint	4	G1/4-M14x1.5
5	Q-EW08L M14x1.5	Right angle connector	2	M14x1.5
6	1030-614400-G00	Rubber tube assy L=300	2	M14x1.5-90-M14x1.5
7	1030-613700-G00	Rubber tube assy L=460	1	M22x1.5-M22x1.5-90
8	1030-610800-G00	Rubber tube assy L=1150	1	M22x1.5-90-M22x1.5
9	Q-EL15L M22x1.5	T-junction	2	
10	AC-14	Combination T-junction	2	M14x1.5-M14x1.5
11	1030-611300-G00	Rubber tube assy L=810	1	M18x1.5-90-M18x1.5
12	AC-14-18-14	T-junction	1	M14x1.5-M18x1.5
13	1030-614600-G00	Rubber tube assy L=370	1	M18x1.5-90-M18x1.5
14	1030-614500-G00	Rubber tube assy L=350	1	M14x1.5-90-M14x1.5
15	3C-14	Straight joint	1	M14x1.5-M14x1.5
16	1030-613900-G00	Rubber tube assy L=400	1	M18x1.5-M18x1.5-90
17	1030-614000-G00	Rubber tube assy L=390	1	M18x1.5-90-M18x1.5
18	BC-14	Straight joint	1	M14x1.5
19	1030-614300-G00	Rubber tube assy L=630	1	M14x1.5-90-M14x1.5
20	1030-613600-G00	Rubber tube assy L=400	1	M22x1.5-M22x1.5-135
21	1030-610600-G00	Rubber tube assy L=470	1	M22x1.5-M22x1.5-90

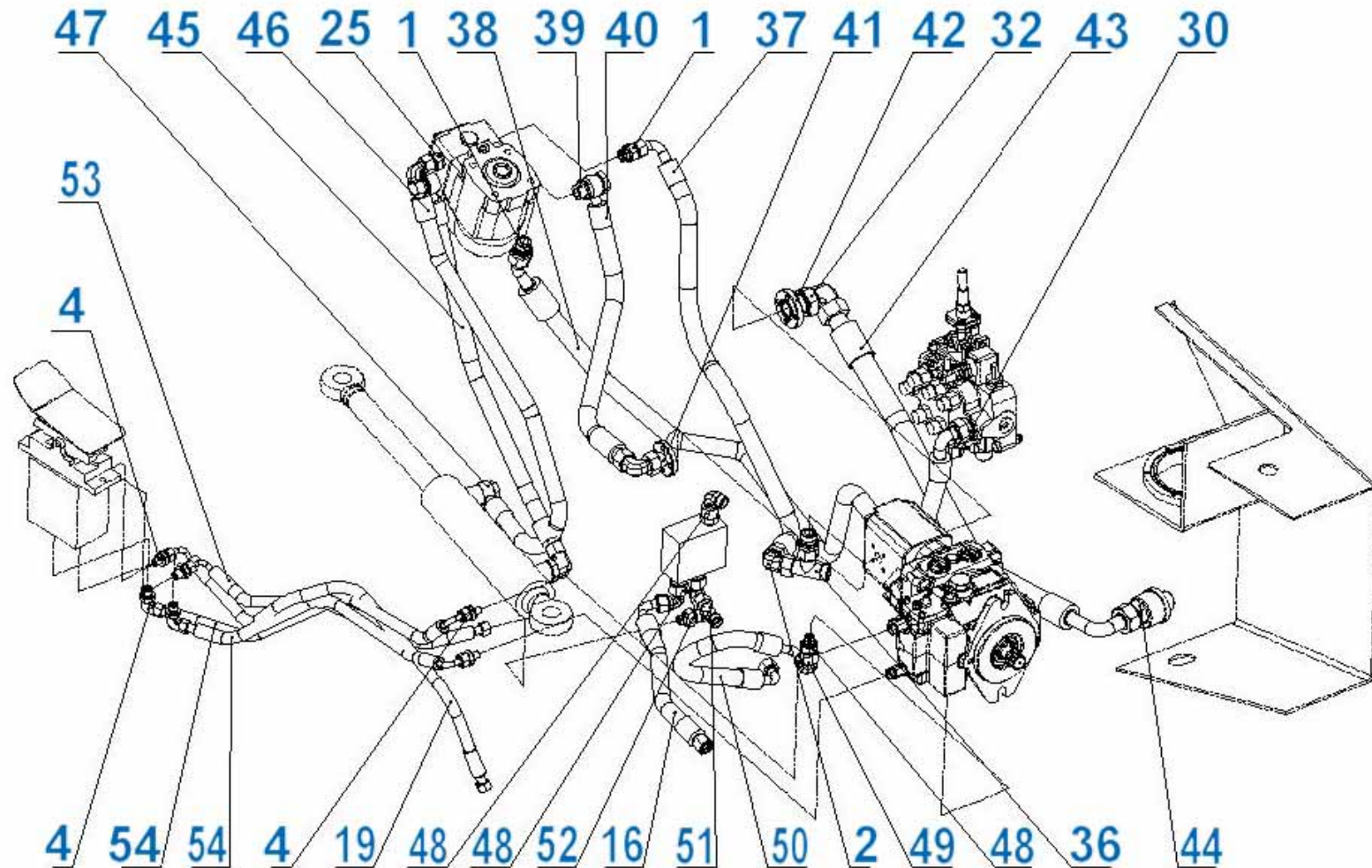
5.2 Hydraulic system (plunger pump motor) (Part 2)



Hydraulic system (plunger pump motor) (Part 2)

Item	Part number	Part name	Qty	Remark
22	Q-GE22L G1 ED	Straight joint	1	G1-M30x2
23	1030-610300-G00	Rubber tube assy L=970	1	G3/4 hinge body-M30x2
24	LS G3/4-14	G3/4 Reamed bolt	1	With G3/4 combination gasket 2
25	Q-GE12L G3/8 ED	Straight joint	2	G3/8-M18x1.5
26	Q-GE15L G3/4 ED	Straight joint	2	G3/4-M22x1.5
27	1030-610200-G00	Rubber tube assy L=750	1	M22x1.5-M22x1.5
28	Q-T15L	Combination T-junction	3	M22x1.5-M22x1.5
29	1030-614700-G00	Rubber tube assy L=310	1	M22x1.5-90-M22x1.5
30	Q-GE12L G3/8 ED	Straight joint	1	G3/8-M18x1.5
31	1030-610100-G00	Rubber tube assy L=400	1	M22x1.5-M22x1.5-90
32	Q-EW22L M30x2	Right-angle joint (combination)	1	M30x2-M30x2
33	Q-EG15L M30x2 RN (2D-22-30)	Straight joint	1	M22x1.5-M30x2
34	1030-612800-G00	Rubber tube assy L=690	1	M22x1.5-90-M22x1.5
35	1130-620002-G00	Check valve	1	
36	Q-EL15LM22x1.5	Combination T-junction	1	M22x1.5 (with nut)
37	1030-612700-G00	Rubber tube assy L=780	1	M18x1.5-90-M22x1.5

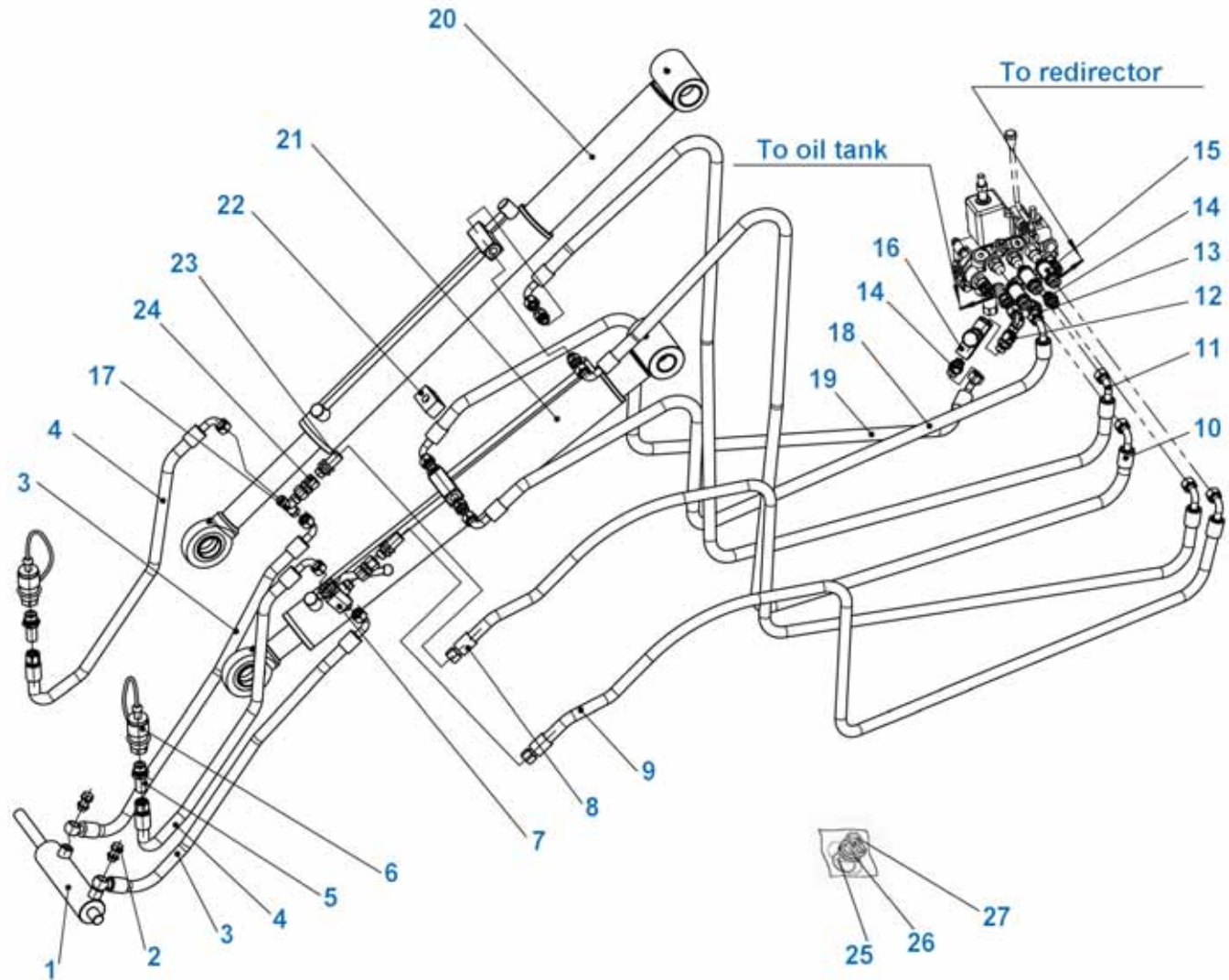
5.3 Hydraulic system (steering gear)



Hydraulic system (steering gear)

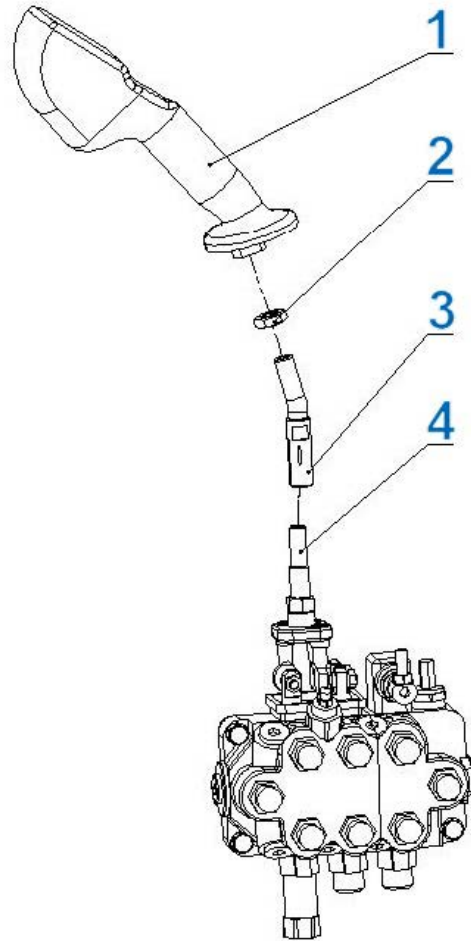
Item	Part number	Part name	Qty	Remark
38	1130-611200-G00	Rubber tube assy L=980	1	M22x1.5-135-M22x1.5
39	LS G1/2-14	G1/2 Reamed bolt	1	With G1/2 combination gasket 2
40	1030-611400-G00	Rubber tube assy L=570	1	G1/2 articulated body-M22x1.5
41	1130-600201-000	Gear pump delivery connection	1	M22x1.5 flange with 20x2.65 O-ring
42	1130-600101-000	Gear pump oil-taking connection	1	M30x2 flange with 25x2.65 O-ring
43	1030-611500-G01	Rubber tube assy L=670	1	M30x2-M30x2-90
44	S2C-30-30	Straight joint	2	M30x2-M30x2
45	1130-611700-G00	Rubber tube assy L=680	1	M18x1.5-M18x1.5-90
46	1130-611600-G01	Rubber tube assy L=800	1	M18x1.5-M18x1.5-90
47	1CG9-18-06OG	Right angle steering adjustable seal joint	2	G3/8-M18x1.5
48	Q-GE12LG1/4ED	Straight joint	4	G1/4-M18x1.5
49	Q-EW12L M18X1.5	Right-angle joint	2	M18x1.5-M18x1.5
50	1030-614100-G00	Rubber tube assy L=350	1	M18x1.5-90-M18x1.5-90
51	Q-EL12L M18X1.5	Combination T-junction	1	M18x1.5xM18x1.5xM18x1.5
52	S2C-14-18	Reducer straight joint	1	M14x1.5-M18x1.5
53	1030-614200-G00	Rubber tube assy L=560	1	M14x1.5-90-M14x1.5
54	1030-614200-G00	Rubber tube assy L=560	1	M14x1.5-90-M14x1.5

5.4 Hydraulic system (multitandem valve)



Hydraulic system (multitandem valve)				
Item	Part number	Part name	Qty	Remark
1	1130-438000-G01	Locking ram assy	1	
2	1130-623300-G00	G1/4 Reamed bolt component	2	With G1/4 combination gasket 2
3	1030-613200-G00	Rubber tube assy L=1000	2	M18x1.5-90-G1/4 articulated body
4	1030-613300-G00	Rubber tube assy L=700	2	M18x1.5-M18x1.5-90
5	Q-GSV12L G1/2 ZH	Plate joint	1	G1/2-M18x1.5
6	1130-621200-G00	Quick joint	2	
7	1130-620011-G00	Two position T-junction	1	
8	1030-611900-G00	Rubber tube assy L=2370	1	M18x1.5-90-M18x1.5
9	1030-611800-G00	Rubber tube assy L=2470	1	M18x1.5-90-M18x1.5
10	1030-612500-G00	Rubber tube assy L=2380	1	M18x1.5-90-M18x1.5-90
11	1030-612400-G00	Rubber tube assy L=2440	1	M18x1.5-90-M18x1.5-90
12	1130-622400-G00	Straight joint	1	Q-GE12L G3/8 ED
13	1130-613100-G00	Steel tube assy	1	
14	1130-622400-G00	Right-angle joint	1	Q-GE12L G3/8 ED
15	1130-624100-G00	Straight joint	1	
16	1130-620001-G00	Throttle valve	1	
17	1130-613100-G00	T-junction	1	Q-T12L
18	1030-612200-G00	Rubber tube assy L=2060	1	M18x1.5-90-M18x1.5-90
19	1030-612300-G00	Rubber tube assy L=1880	1	M18x1.5/M18x1.5-90
20	1030-437000-G00	Tilting ram component	1	
21	1030-436000-G00	Lifting ram component	1	
22	1130-600002-G00	Hose clamp	1	
23	1130-623000-G00	Straight joint	2	
24	1130-622500-G00	Straight joint	2	
25	1230-437100-G00	Tilting ram kit	1	
26	1230-436100-G00	Lifting ram kit	1	
27	1130-438100-G00	Locking ram kit	1	

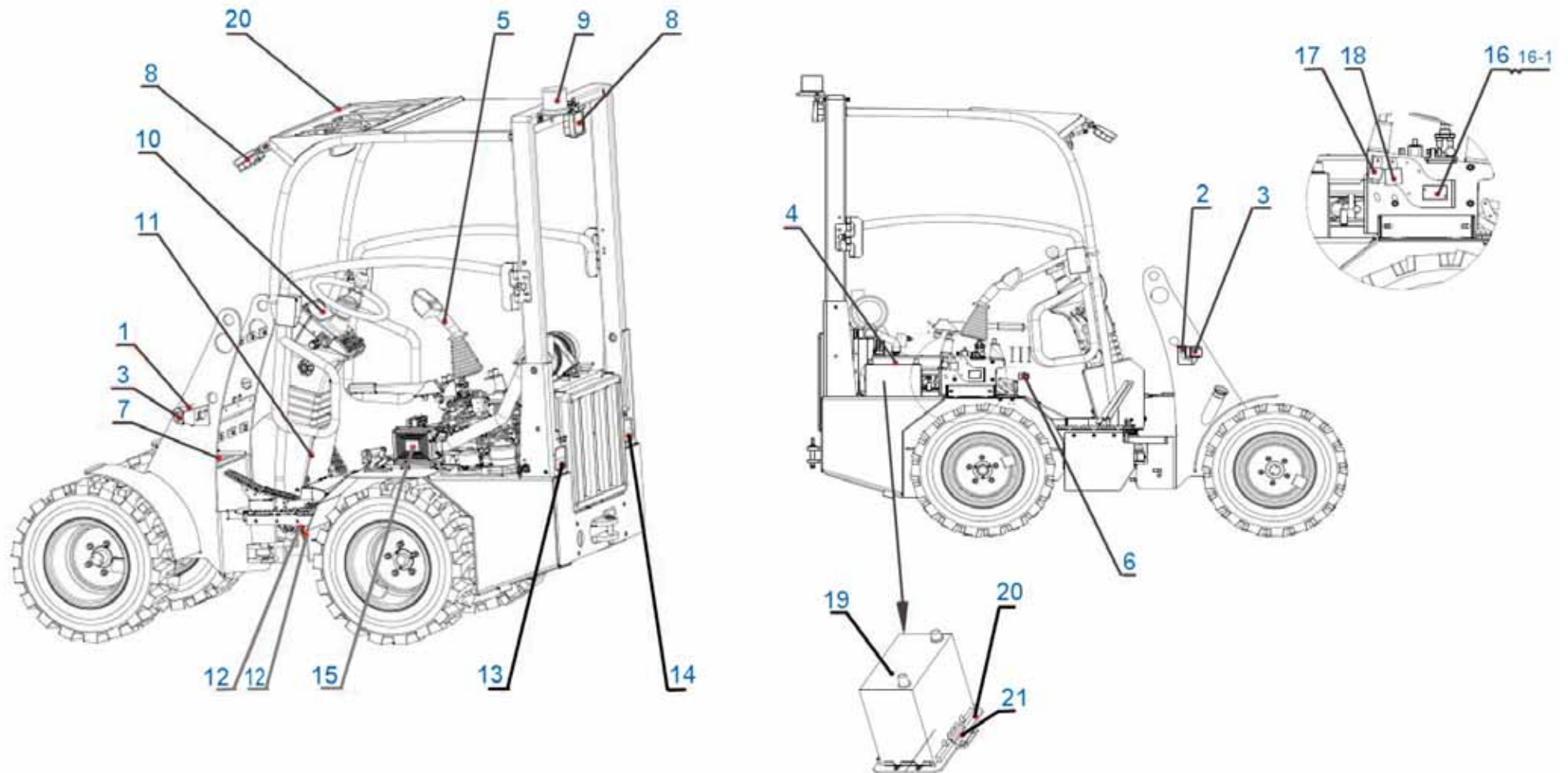
5.5 Multitandem valve



Multitandem valve				
Item	Part number	Part name	Qty	Remark
1	1130-600301-G00	Joystick shell	1	
2	GT06173-000014-01	Hexagonal thin nut M14x1.5	1	
3	1030-600303-000	Joystick connect rod	1	
4	1130-600500-G01	Multitandem valve assy	1	

6. ELECTRICAL SYSTEM

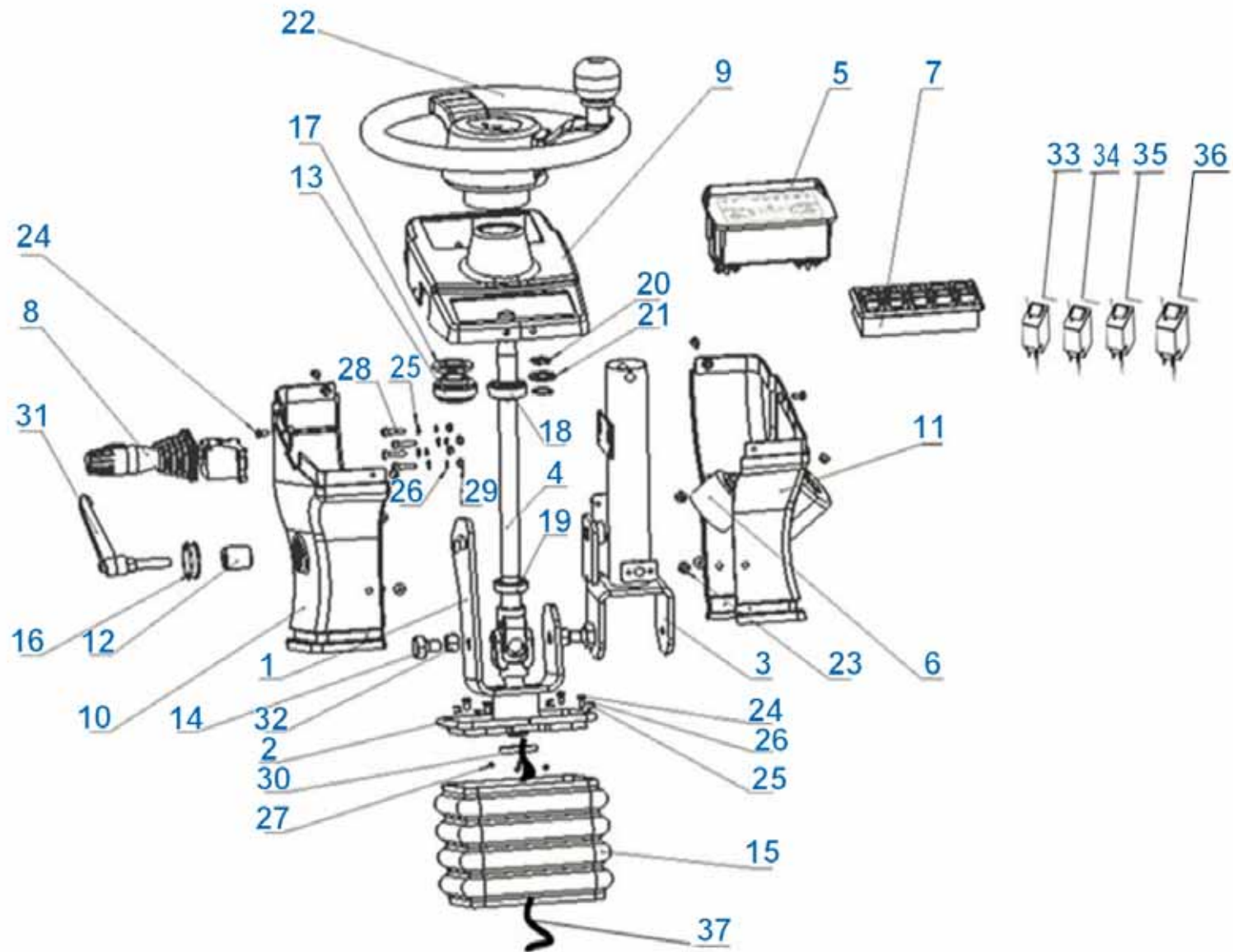
6.1 Electrical system installation



Electrical system installation

Item	Part number	Part name	Qty	Remark
1	1030-700400-001 (806807000040)	Left turn signal bracket	1	
2	1030-700500-001 (806807000050)	Right turn signal bracket	1	
3	1130-700008-G00 (720412000012)	Wide turn signal	2	
4	1130-701400-G00 (720212000011)	Water temperature sensor	1	
5	1030-600300-000 (800296000030)	Joystick assembly	1	
6	1130-701800-G00 (751201000071)	6 way fuse box	1	
7	810-701500-G10 (720212000018)	Oil level sensor	1	L=265mm(2.1M)
7	1130-701500-G03 (720212000033)	Oil level sensor	1	Optional L=320mm (2.5M)
8	1130-921100-000 (720412000050)	Working light 921 mini	3	
9	1130-922000-000 (720412000049)	Warning light	1	
10	800-710000-000 (806807010000)	Instrument assy	1	
11	1130-701100-G00 (720407000003)	Horn	1	
12	1130-700002-G00 (720235000001)	Travel switch	3	
13	1030-701400-G00 (720412000023)	Left tail lamp	1	
14	1030-701600-G00 (720412000024)	Right tail lamp	1	
15	1130-700900-G10 (720418000005)	lzkz12v-4 control box	1	
16	1130-701200-G00 (720399000004)	Fuse box	1	ANS-H
16-1	1130-701201-G00 (720211000001)	60a fuse	1	ANF-60A
17	1130-701700-G00 (720204000001)	Relay	1	
19	1030-700008-G00 (720406000002)	(46b24l) battery	1	
20	1030-700300-000 (806807000030)	Battery tray	1	
21	1030-700305-000 (302540001716)	Plate	1	

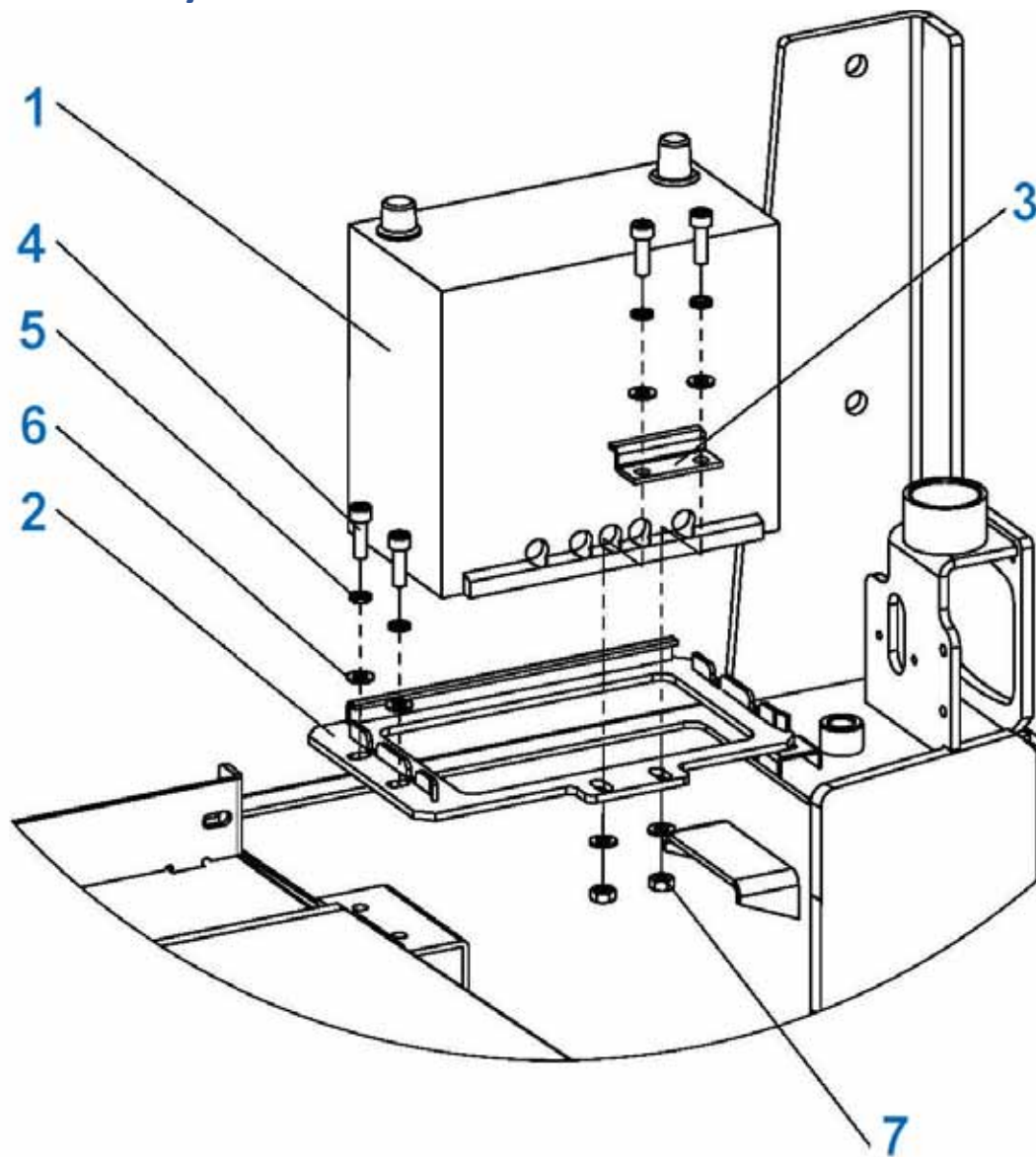
6.2 Instrument assy



Instrument assy				
Item	Part number	Part name	Qty	Remark
1	810-710100-000	Base seat	1	
2	810-710200-000	Frame	1	
3	810-710300-000	Steering column assy	1	
4	810-710400-000	Steering shaft assy	1	
5	810-710500-G00	Instrument panel	1	
6	810-710700-G00	Starting switch assy	1	
7	810-710600-G20	Five-position rocker switch	1	
8	810-710800-G00	Indicator lamp switch handle	1	
9	810-710001-200B	Upper cover	1	For 800/810/820
10	810-710002-200	Left cover	1	
11	810-710003-200	Right cover	1	
12	810-710004-000	Steering column clamp handle sleeve	1	
13	810-710005-000	Nylon cover	1	
14	810-710006-000	M12 fixing bolt	2	
15	810-710007-G00	Down rubber cover	1	
16	1130-700001-000	Outgoing coil	1	
17	810-710009-000	Fixing ring	1	
18	6004-2RZ	GB/T274 deep groove ball bearing	1	
19	61904-2RZ	GB/T276 61904-2RZ deep groove ball bearing	1	
20	008942 00020B	Circlips for shaft of B-type 20	1	
21	810-710010-000	Washer 2	1	
22	810-710009-G10	Steering wheel 300	1	
23	000818 006121	Pan head screw M6x16	6	
24	000823 005101	Pan head screw M5*10	10	
25	000095 000051	Flat washer 5	8	
26	000093 000051	Spring washer5	8	
27	000854 029095	M2.9x9.5 GB/T854 Cross recessed	8	
28	000701 050201	M5*20-8.8 hexagon socket cap screws	4	

Instrument assy				
Item	Part number	Part name	Qty	Remark
29	006170 005001	Hexagon nut M5-8.8	4	
30	810-710008-G00	Rubber ring	1	
31	810-710012-G00	M10x50 Adjustable locking handle 80RB	1	
32	006172 012001	M12 hexagon thin nut	2	
33	1130-710017-G00	Horn switch	1	
34	1130-700019-G00	Warning light switch	1	
35	1130-710012-G00	Working light switch	1	
36	1130-710018-G00	Double jump light switch	1	
37	820-711000-000	Instrument wiring harness	1	For 800/810/820

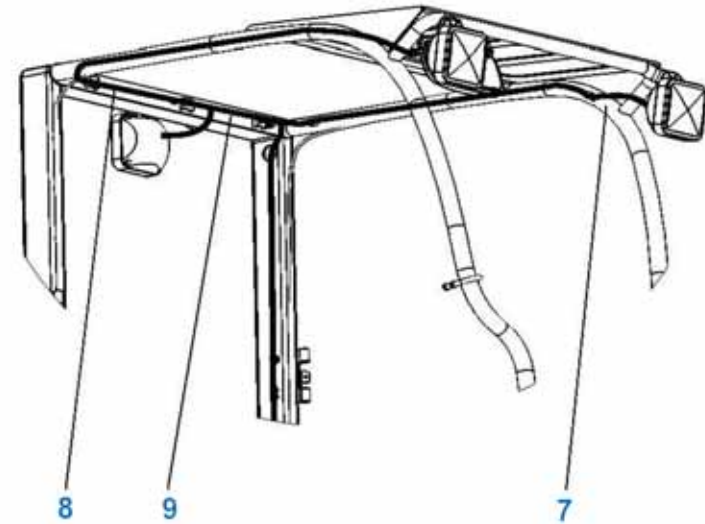
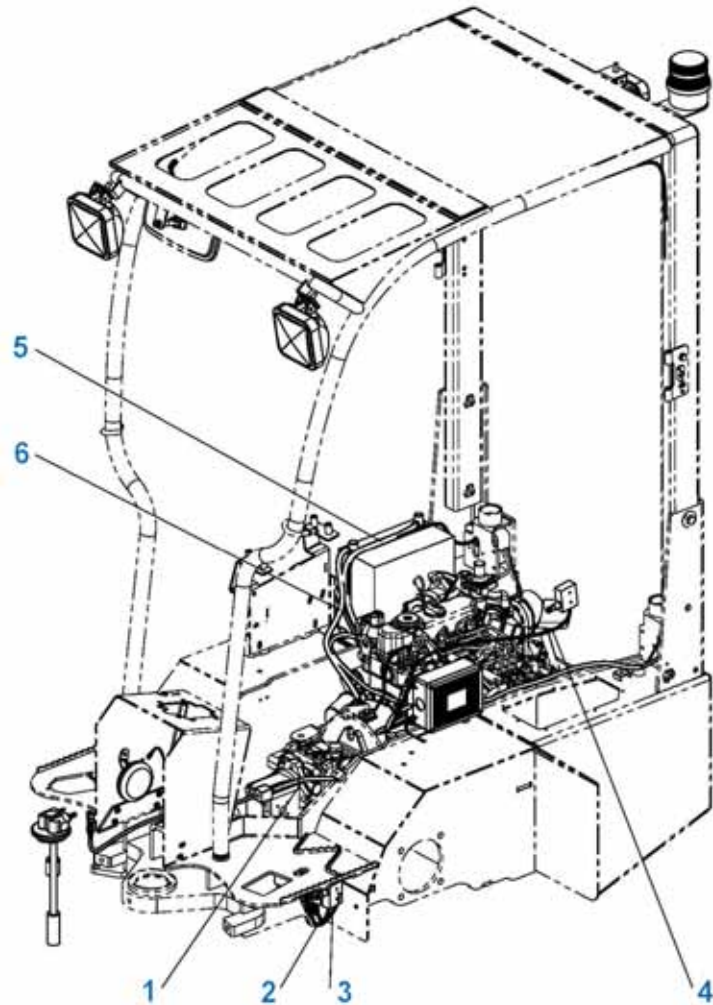
6.3 Battery installation assembly



Battery installation assembly

Item	Part number	Part name	Qty	Remark
1	1030-700008-G00 (720406000002)	Battery (46B24L)	1	
2	1030-700300-000 (806807000030)	Battery tray	1	
3	1030-700305-000 (302540001716)	Plate	1	
4	000701 080251	Hexagon socket cap screws M8x25-8.8	4	
5	000971 000081	Flat washer 8	6	
6	000093 000081	Spring washer 8	4	
7	006170 008001	Hex nut M8-8	2	

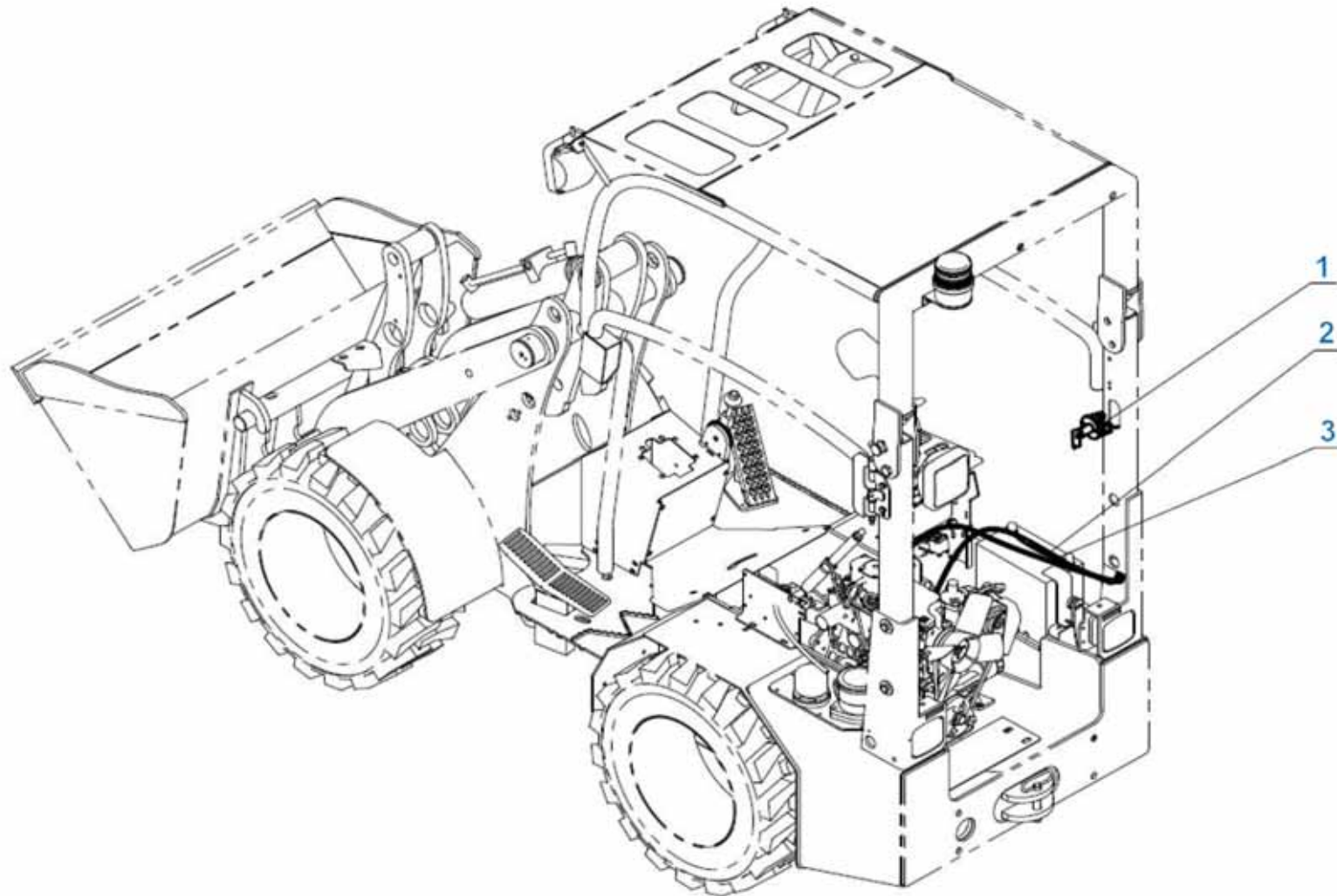
6.4 Wiring harness assembly



Wiring harness assembly

Item	Part number	Part name	Qty	Remark
1	1030-730100-010	Frame wiring harness	1	
2	1030-730200-000	Travel switch wiring harness	1	
3	1030-730300-000	Travel switch wiring harness	1	
4	1030-730400-000	Travel switch wiring harness	1	
5	1030-730500-G00	Battery positive cable	1	
6	1030-730600-G00	Battery negative cable	1	
7	1030-730700-000	Working light line (left)	1	
8	1030-730800-000	Working light line (right)	1	
9	1030-730900-000	Wiring harness for rear working light	1	

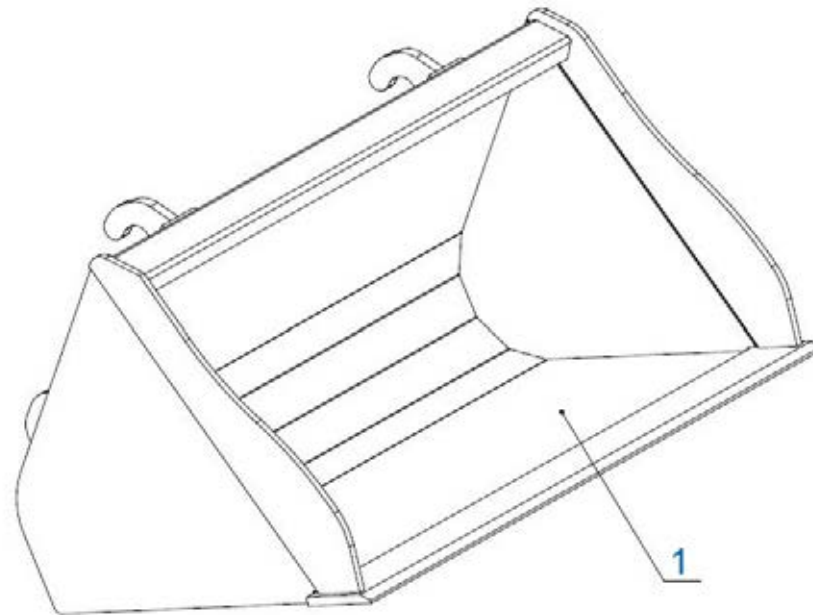
6.5 General switch installation assembly



General switch installation assembly				
Item	Part number	Part name	Qty	Remark
1	1130-701900-G00	General power switch	1	Optional
2	1030-730700-G00	Battery negative to main power switch	1	Optional
3	1030-730800-G00	Main power switch to ground cable	1	Optional

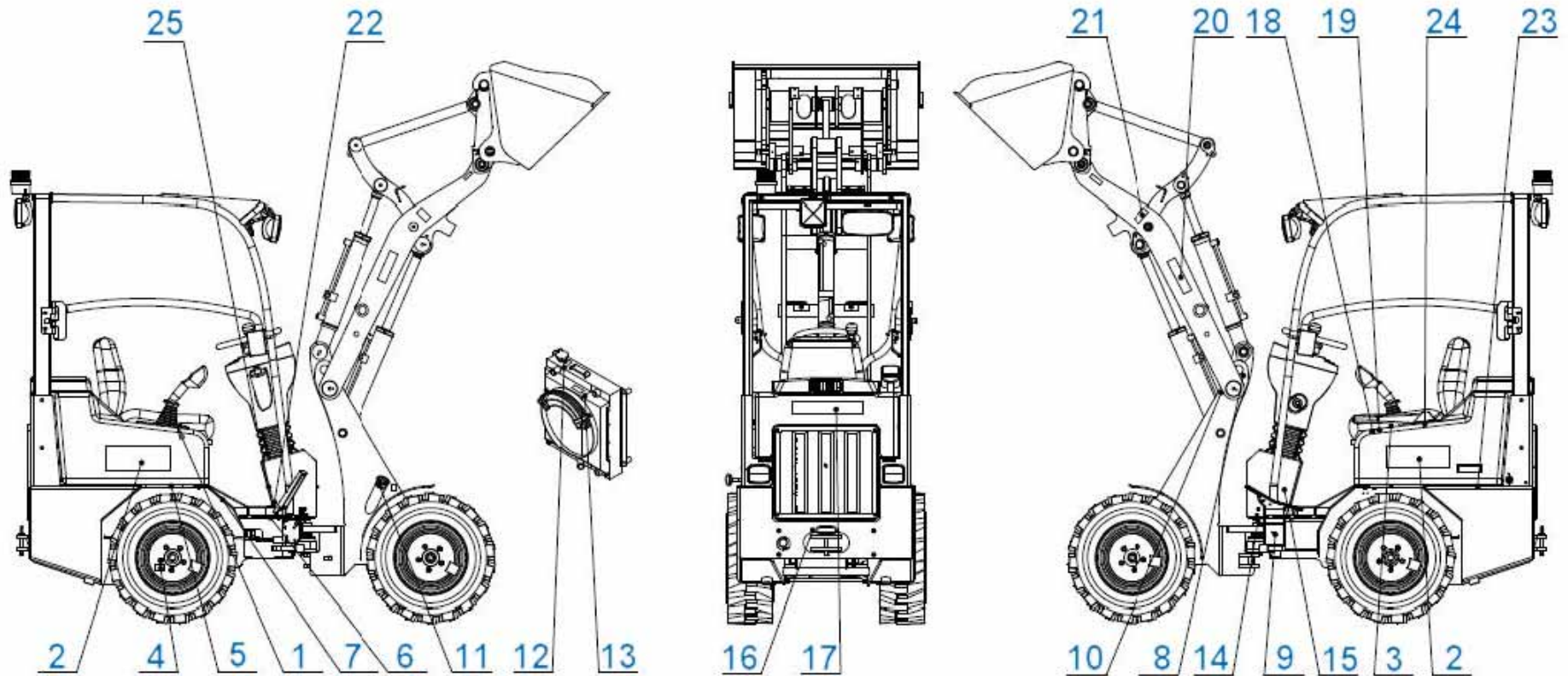
7. ATTACHMENT

7.1 Bucket assy



Bucket Assy				
Item	Part number	Part name	Qty	Remark
1	1030-800000-002	Bucket 0.13m ³	1	Standard
2	1030-800000-001	Bucket 0.12m ³	1	Standard
3	1030-800000-003	Bucket 0.2m ³	1	Standard
4	1030-800000-500	1030 fork	1	Standard
5	1030-800000-540	1030 grass grab	1	Standard

8. LABELS



Labels				
Item	Part number	Part name	Qty	Remark
1	750610000038	Hydraulic pressure operate hint	1	
2	1030-010010-G00	Model label	2	
3	K30000 020033	Parking brake label (English)	1	
4	750610000046	Tyre label	4	
5	1030-010015-G00	Tyre pressure label	4	
6	750610000094	Wheel chock	1	
7	1030-010011-G62	Finished machine nameplate	1	
8	750610000047	Crane label	2	
9	750610000044	Anti-pinch label	2	
10	750610000085	Clamp hand label	2	
11	750610000041	Fuel label	1	
12	750610000032	Radiator anti-scalded label	1	
13	750610000096	Cut hand label	1	
14	750610000045	Grease label	10	
15	750610000034	Noisy statement label	1	
16	750610000036	Transportation fixed point label	4	
17	1130-010012-G54	Manufacturer label	1	Optional
18	750610000040	Warning of reading instruction	1	
19	750610000039	Warning of reading maintenance	1	
20	750610000100	Manufacturer label	1	
21	750610000098	Anti-crush label	2	
22	750610000042	Anti-tilting label	1	
23	750610000037	Hydraulic oil label	1	
24	750610000033	Safety belt label	1	
25	750610000043	Anti-close label	2	