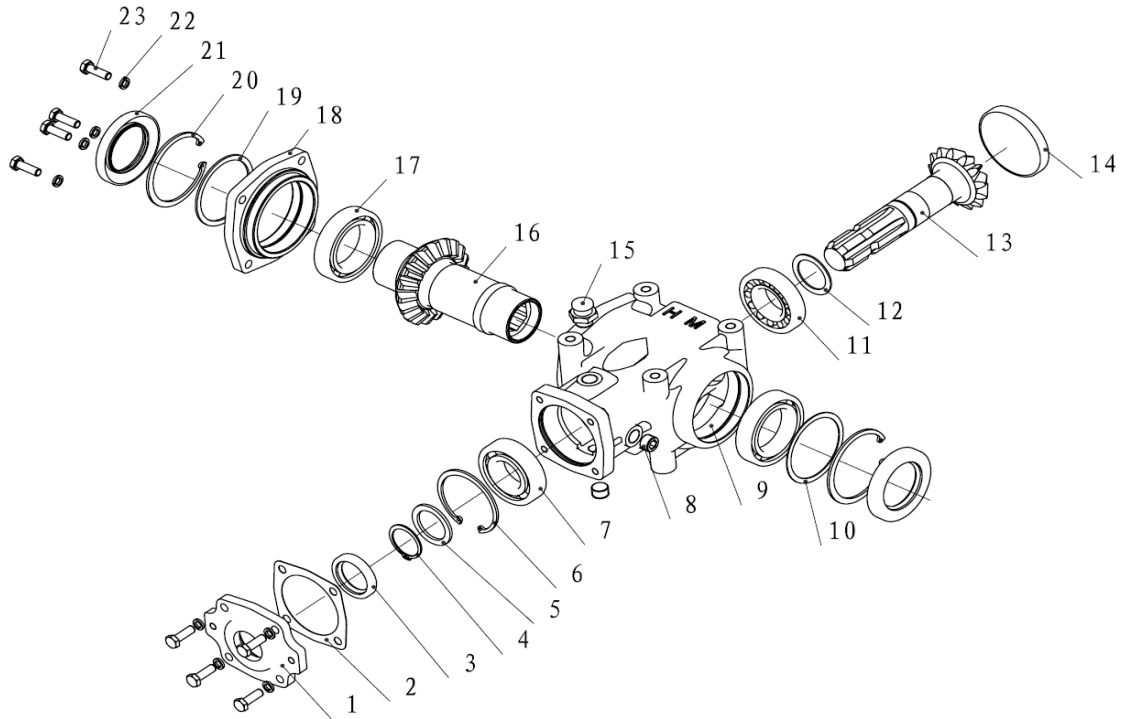


NO.	Part NO.		Name & Specifications	Quantity
1	1GQR-105.102	803320196	Right supporting plate	1
2	1GQR-85.021	803300070	Rotary Tiller case weldment	1
	1GQR-95.021	803310071	Rotary Tiller case weldment	1
	1GQR-105.021	803320072	Rotary Tiller case weldment	1
	1GQR-115.021	803330073	Rotary Tiller case weldment	1
	1GQR-125.021	803340074	Rotary Tiller case weldment	1
	1GQR-135.021	803350075	Rotary Tiller case weldment	1
3	1GQR-125.015	803340059	Transmission shaft cover (R)	1
4	1GQR-125.154	703340194	Protecting plate (R)	1
5	GB5783-M10X25	501011112	Bolt M10X25	4
6	1GQR-125-011	803340027	Gear box Assembly	1
7	TL85-90A	803300170	Shaft for blade	1
	TL95-90A	803310171	Shaft for blade	1
	TL105-90A	803320172	Shaft for blade	1
	TL115-90A	803330173	Shaft for blade	1
	TL125-90A	803340174	Shaft for blade	1
	TL135-90A	803350175	Shaft for blade	1
8	1GQR-85.016	803300063	Transmission shaft cover	1
	1GQR-85.016	803300063	Transmission shaft cover	1
	1GQR-105.016	803320064	Transmission shaft cover	1
	1GQR-105.016	803320064	Transmission shaft cover	1
	1GQR-125.016	803340065	Transmission shaft cover	1
	1GQR-125.016	803340065	Transmission shaft cover	1

9	1GQ-125.11.020A	803300013	Rear protecting plate weldment	1
	1GQ-125.11.020B	803310014	Rear protecting plate weldment	1
	1GQ-125.11.020C	803320015	Rear protecting plate weldment	1
	1GQ-125.11.020D	803330016	Rear protecting plate weldment	1
	1GQ-125.11.020	803340017	Rear protecting plate weldment	1
	1GQ-125.11.020E	803350018	Rear protecting plate weldment	1
10	LTΦ6X14	703350001	Chains (16 nodes)	1
12	1GQ-125.11.014	803340005	Fixing pole weldment	2
13	1GQR-125.153	703340193	Protecting plate (L)	1
14	1GQ.11.127	703340191	Blade (R)	14
15	GB5786-M12x1.25X35	501014763	Bolt M12x1.25X35	58
16	CBW-00.112	703140008	Oil plug	2
17	JB982-16	510015240	Plain washer	2
18	1GQ-125.11.018	803340009	Chain box	1
19	1GQ.11.128	703340192	Blade (L)	14
20	1GQ-125.11.017	803340008	Transmission Chains 16Ax17	1
21	GB894.1-30	506060314	Circlip 30	1
22	1GQ-125.11.125	703340187	Wood gasket	1
23	1GQR-85.023	803300093	Transmission shaft cover	1
	1GQR-85.023	803300093	Transmission shaft cover	1
	1GQR-105.023	803320094	Transmission shaft cover	1
	1GQR-105.023	803320094	Transmission shaft cover	1
	1GQR-125.023	803340095	Transmission shaft cover	1
	1GQR-125.023	803340095	Transmission shaft cover	1
24	1GQ-125.11.107A-1	703340201	Transmission shaft	1
	1GQ-125.11.107A-1	703340201	Transmission shaft	1
	1GQ-125.11.107B-1	703340202	Transmission shaft	1
	1GQ-125.11.107B-1	703340202	Transmission shaft	1
	1GQ-125.11.107-1	703340203	Transmission shaft	1
	1GQ-125.11.107-1	703340203	Transmission shaft	1
25	GB5783-M8X25	501011100	Bolt M8x25	17
26	GB5783-M10X30	501011113	Bolt M10x30	12
27	1GQ-125.11.123	703340185	Drive chain wheel	1
28	1GQR-105.152	703320199	Adjusting plate	2
29	1GQ-125.11.126	703340188	Adjusting lath	1
30	1GQ-125.11.124	703340186	Driven chain wheel	1
31	GB85-M12X60	505020998	Bolt M12x60	1
32	GB894.1-34	506060316	Circlip 34	1
33	1GQR-105.019	803320164	Track plate weldment	2
34	1GQ-125.11.011-L	803340001	Lift plate weldment (L)	1
	1GQ-125.11.011-R	803340002	Lift plate weldment (R)	1
35	1GQ-125.11.024A	803300126	Protecting handrail weldment(LH)	1

	1GQ-125.11.024B	803310127	Protecting handrail weldment(LH)	1
	1GQ-125.11.024C	803320128	Protecting handrail weldment(LH)	1
	1GQ-125.11.024D	803330129	Protecting handrail weldment(LH)	1
	1GQ-125.11.024	803340130	Protecting handrail weldment(LH)	1
	1GQ-125.11.024E	803350131	Protecting handrail weldment(LH)	1
36	1GQR-105.022	803320167	The brace weldment	1
37	GB5783-M10X30	501011113	Bolt M10x30	8
38	EF100.00.019	803440016	Pin shaft weldment	1
39	1GQ-125.11.110	703340184	Protecting plate	1
40	1GQ-125.11.158	703340190	Sleeve	1
41	GB5782-M12X80	501010761	Bolt M12x80	1
42	GB276-6306	511022652	Bearing 6306	1
43	1GQ-125.11.109-1	703340196	Bearing seat	1
44	GB3452.1-G-28X2.65	510013145	O-ring 28x2.65	1
45	1GQ-125.11.108-2	703340182	Transmission shaft sleeve	1
46	GB13871-FB-40X62X10	510020386	Seal ring FB 40X62X10	3
47	1GQ-125-11-101	703340176	U bolt	2
48	1GQ-125.11.104-1	703340195	Bearing seat	1
49	GB894.1-35	506060317	Circlip 35	1
50	GB276-6207	511022613	Bearing 6207	1
51	1GQR-125-012	803340051	Gear box supporting	1
52	EF100.00.106	700920096	Pin sleeve	1
53	EF100.00.014	800920021	Lift pin shaft	1
54	1GQ-125.11.025A	803300145	Protecting handrail weldment(RH)	1
	1GQ-125.11.025B	803310146	Protecting handrail weldment(RH)	1
	1GQ-125.11.025C	803320147	Protecting handrail weldment(RH)	1
	1GQ-125.11.025D	803330148	Protecting handrail weldment(RH)	1
	1GQ-125.11.025	803340149	Protecting handrail weldment(RH)	1
	1GQ-125.11.025E	803350150	Protecting handrail weldment(RH)	1
55	GB1152-M10X1	509010009	Grease nipple M10x1	1



NO.	Part NO.		Name & Specifications	Quantity
1	1GQR-125-103	703340030	cover	1
2	SL100.01.103	700920114	Gasket	1
3	CFW-35X50X8	510020038	Oil seal 35x50x8	1
4	GB894.1-35	506060317	Circlip for shaft 35	1
5	TZDP-48-35-3	703340008	Adjusting gasket 48x35x3	1
6	GB893.1-72	506060188	Circlip foe hole 72	1
7	GB276-6207	511022613	Bearing 6207	1
8	ZBT32001.3-ZG3/8-19"	516010003	Plug ZG3/8-19	2
9	1GQR-125-101	703340028	Gear box case	1
10	TZDP-80-70-1	703340009	Adjusting gasket 80x70x1	1
11	GB297-30207	511016411	Bearing 30207	1
12	TZDP-48-35-1.5	703340005	Adjusting gasket 48x35x1.5	1
13	FTL.125.107	703400006	pinion	1
14	NFG-RCA-80X10	703340013	Plug 80x10	1
15	FM120.00.199	703400008	breather	1
16	FTL.125.108A	703400029	Gear	1
17	GB276-6010	511022559	Bearing 6010	2
18	1GQR-125-102	703340029	Cover	1
19	TZDP-80-70-2	703340012	Adjusting gasket 80x70x2	1
20	GB893.1-80	506060191	Circlip foe hole 80	2
21	CFW-50X80X10	510020388	Oil seal 50x80x10	2
22	GB93-8	506030035	Spring washer 8	8
23	GB5783-M8X25	501011100	Hex.head bolt M8x25	8