



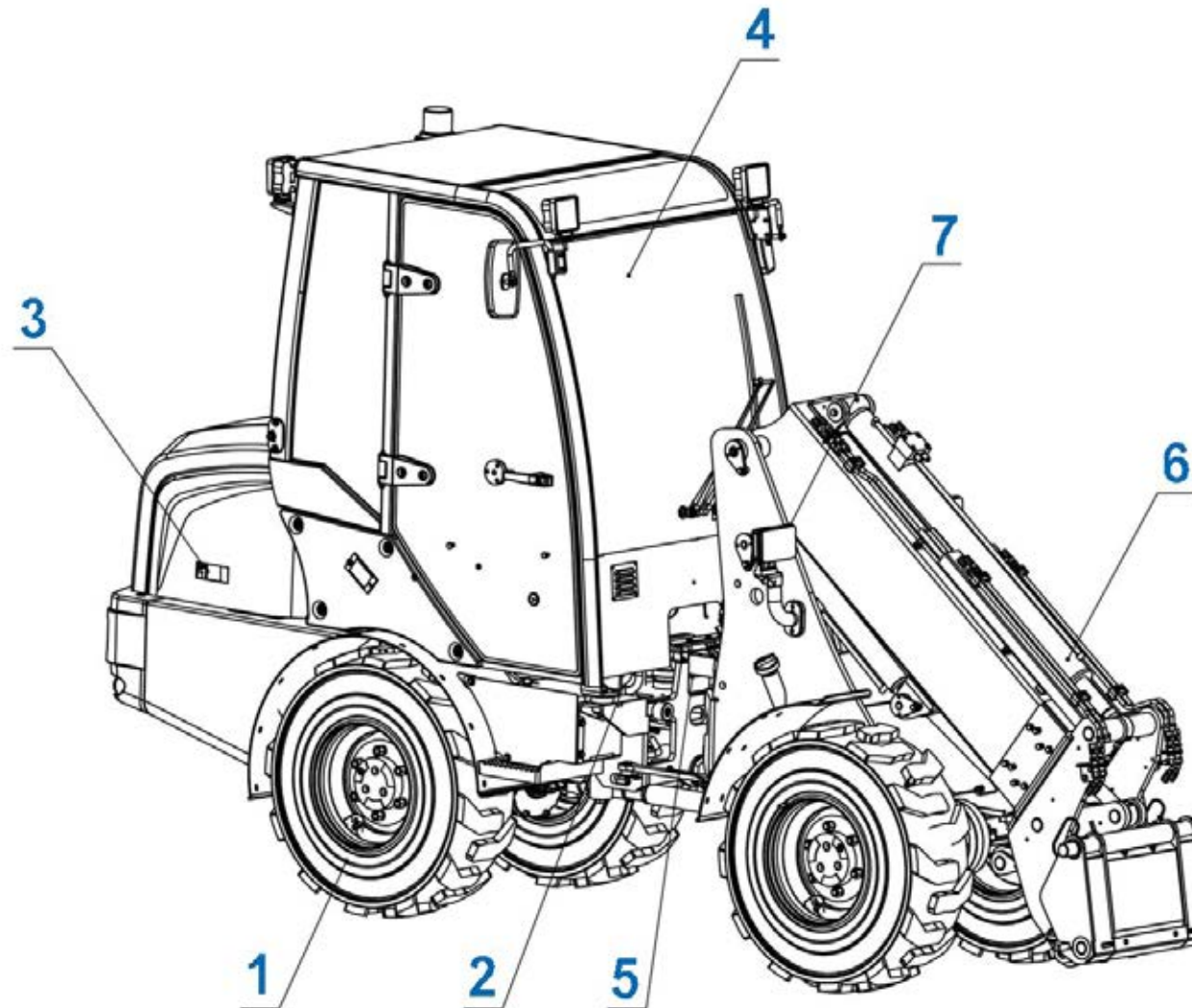
T13F Spare parts

P. de Heus en Zonen Greup B.V.
Stougjesdijk 153
3271 KB Mijnsheerenland
The Netherlands
Tel. + 31 (0) 186 612 333
info@eurotrac.nl

1.	Wheel loader assembly	4
2.	Transmission system	6
2.1	Transmission system assembly	6
2.2	Tyre assembly	8
2.3	Rear axle assembly	10
2.4	Front axle assembly	14
2.5	Wheel hub reducer	16
2.6	Differential assembly	18
2.7	Axle housing component	20
2.8	Sleeve assembly (left)	22
2.9	Sleeve assembly (right)	24
3.	Steering system	26
4.	Power system	28
4.1	Power system installation assembly	28
4.2	Engine components	30
4.3	Exhaust system	32
4.4	Inlet system	34
4.5	Cooling system	36
4.6	Fuel system	38
5.	Car body system	40
5.1	Vehicle system assembly	40
5.2	Working device	44
5.3	Rear bonnet assembly	48
5.4	Cab assembly	50
5.5	Cab assembly 2	54
5.6	Heating system	56
5.7	Left door assembly	58
5.8	Right door assembly	60
5.9	Rear window assembly	62

6.	Operate system	64
6.1	Operate system installation assembly	64
6.2	Foot brake assembly	66
7.	Hydraulic system	68
7.1	Hydraulic system 1	68
7.2	Hydraulic system 2	70
7.3	Hydraulic system 3	72
7.4	Hydraulic system 4	74
7.5	Hydraulic system 5	78
7.6	Hydraulic system 6	80
7.7	Hydraulic system 7	84
8.	Electric system	86
8.1	Electric system assembly chart	86
9.	Operating handle assembly	90
10.	Attachments	91

1. Wheel loader assembly



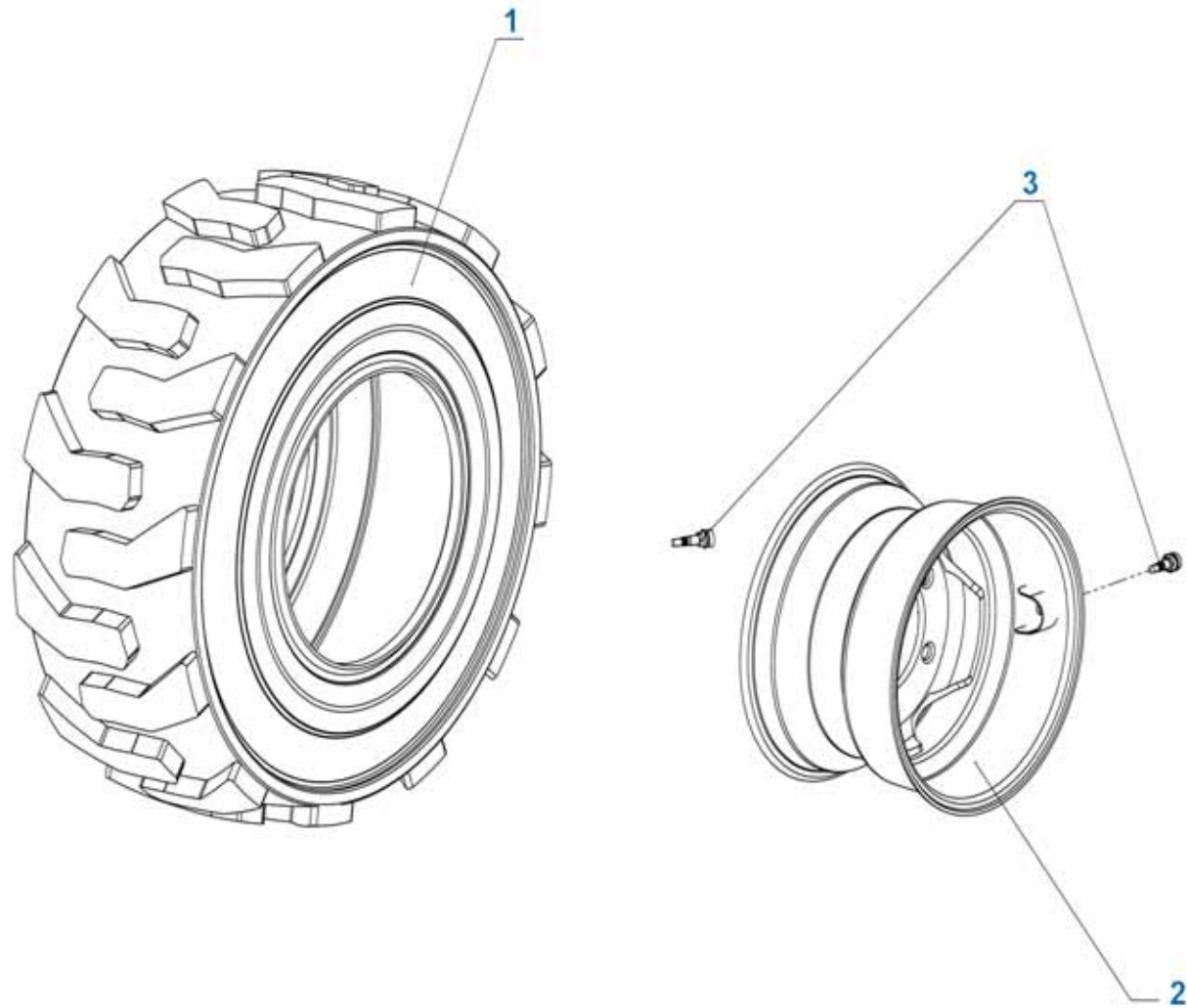
Wheel loader assembly parts list

Item	Part Number	Part Name	Quantity	Remark
1	850-100000-000	850 Transmission system	1	
2	850-200000-000	850 Steering system	1	
3	850T-300000-200	850T Power system (2403 E5)	1	
4	850T-400000-200	850T Vehicle system (V2403 E5)	1	
5	850-500000-200	850 Operate system (2403 E5)	1	
6	850T-600000-200	850T Hydraulic system (2403 E5)	1	
7	850T-700000-200	850T Electric system (2403 E5)	1	

Transmission system parts list

Item	Part Number	Part Name	Quantity	Remark
1	850-110000-000	Rear axle assembly	1	
2	850-120000-000	Front axle assembly	1	
3	850-181000-500	850 left tyre assembly (11.5/80-15.3)	2	
4	850-182000-500	850 right tyre assembly (11.5/80-15.3)	2	
5	850-101000-000	850 transmission axle assembly	1	
6	850-100004-000	Transmission axle front subplate	1	
7	850-100005-000	Transmission axle rear subplate	1	
8	006184 010001A	Metallic hexagon lock nut M10	8	
9	005783 200702A	Hexagon head bolts with full thread M20×70-10.9	16	
10	000971 000201A	Flat washer 20	16	
11	850-100001-000	Hinge bolt	12	
12	000093 000201A	Standard elastic washer 20	16	
13	006170 020001A	Hexagon nut M20	16	

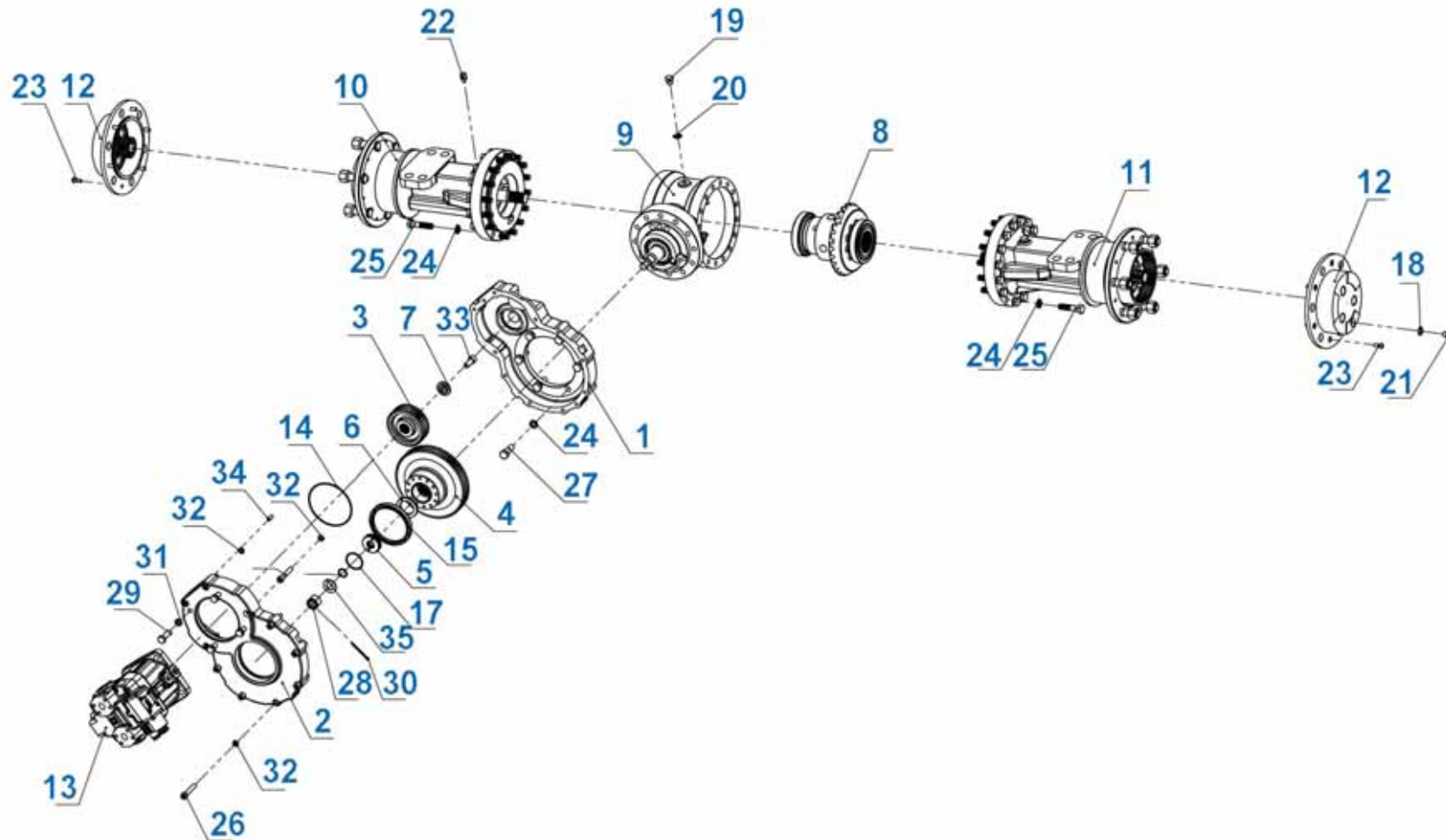
2.2 Tyre assembly



Tyre assembly parts list

Item	Part Number	Part Name	Quantity	Remark
1	850-181200-G00	11.5-80-15.3 Tyre	1	
2	850-180100-G00	Rim assembly 9.00X15.3	4	
3	1230-181001-500	Straight valve core 3501	2	

2.3 Rear axle assembly



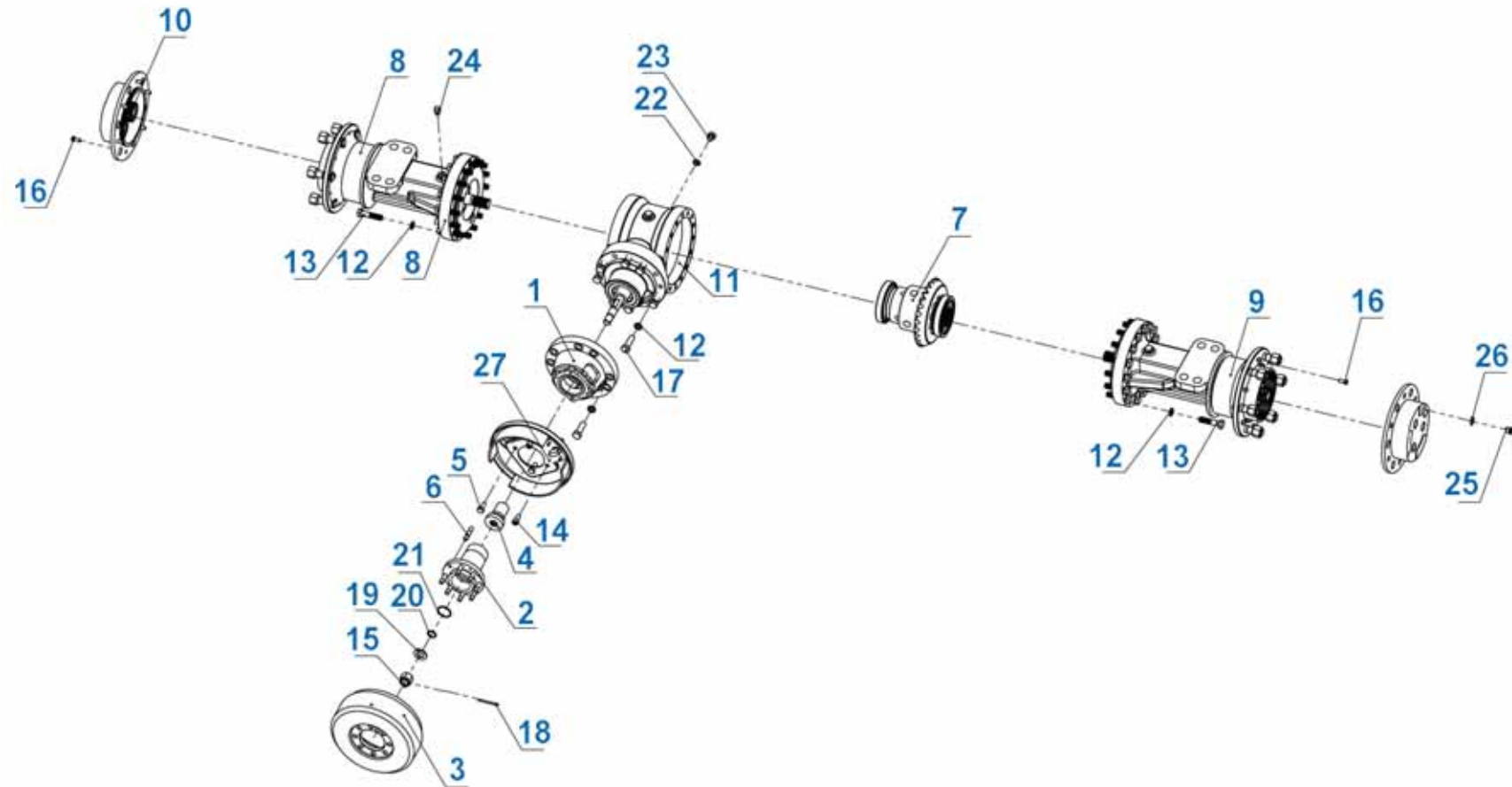
Rear axle assembly parts list

Item	Part Number	Part Name	Quantity	Remark
1	850-110001-000	Tank 2	1	
2	850-110002-000	Tank 1	1	
3	850-110003-G00	Pinion	1	
4	850-110004-G00	Bull gear	1	
5	850-110006-000	Pressing sleeve	1	
6	850-110007-000	Washer	1	
7	850-110010-001	Gasket	1	
8	850-111000-000	Differential assembly	1	
9	850-112000-000	Axle shell components	1	
10	850-113000-000	Sleeving assembly (left)	1	
11	850-114000-000	Sleeving assembly (right)	1	
12	850-115000-000	Wheel hub reducer	2	
13	850-104000-G00	Double speed motor	1	
14	034529 220265A	O-ring 122X2.65	1	
15	138711 10012012F	Fluorine glue oil seal 100X120X12	1	
16	034521 200265A	O-ring 20*2.65	1	
17	034521 437265A	O-ring 43.7*2.65	1	
18	034521 200350A	O-ring 20X3.5	2	
19	001000 000141A	Hexagon plug M14*1.5	3	
20	000982 000014A	Combination sealing gasket 14	3	
21	004444 000141A	Hexagon socket plug M14*1.5	2	
22	1230-110021-G10	Vent valve M8*1	1	
23	000702 080202A	Screw M8X20-10.9	12	
24	000093 000141A	Standard elastic washer 14	38	
25	005782 140602A	Hexagon head bolt M14X60-10.9	32	
26	000701 100553A	Hexagon socket head screw M10x55-12.9	10	
27	005783 140402A	Hexagon head bolt full thread M14x40-10.9	6	
28	009457 020002A	Nut M20*1.5	1	

Rear axle assembly parts list

Item	Part Number	Part Name	Quantity	Remark
29	005783 120401A	Hexagon head bolt full thread M12×40-8.8	4	
30	000091 040501A	Cotter pin 4 x 50	1	
31	000093 000121A	Standard elastic washer 12	4	
32	000093 000101A	Standard elastic washer 10	10	
33	000701 120301A	Hexagon socket socket head screw M12×30-8.8	1	
34	000119 080201A	Pin 8×20	2	
35	000971 000201A	Flat washer 20	1	

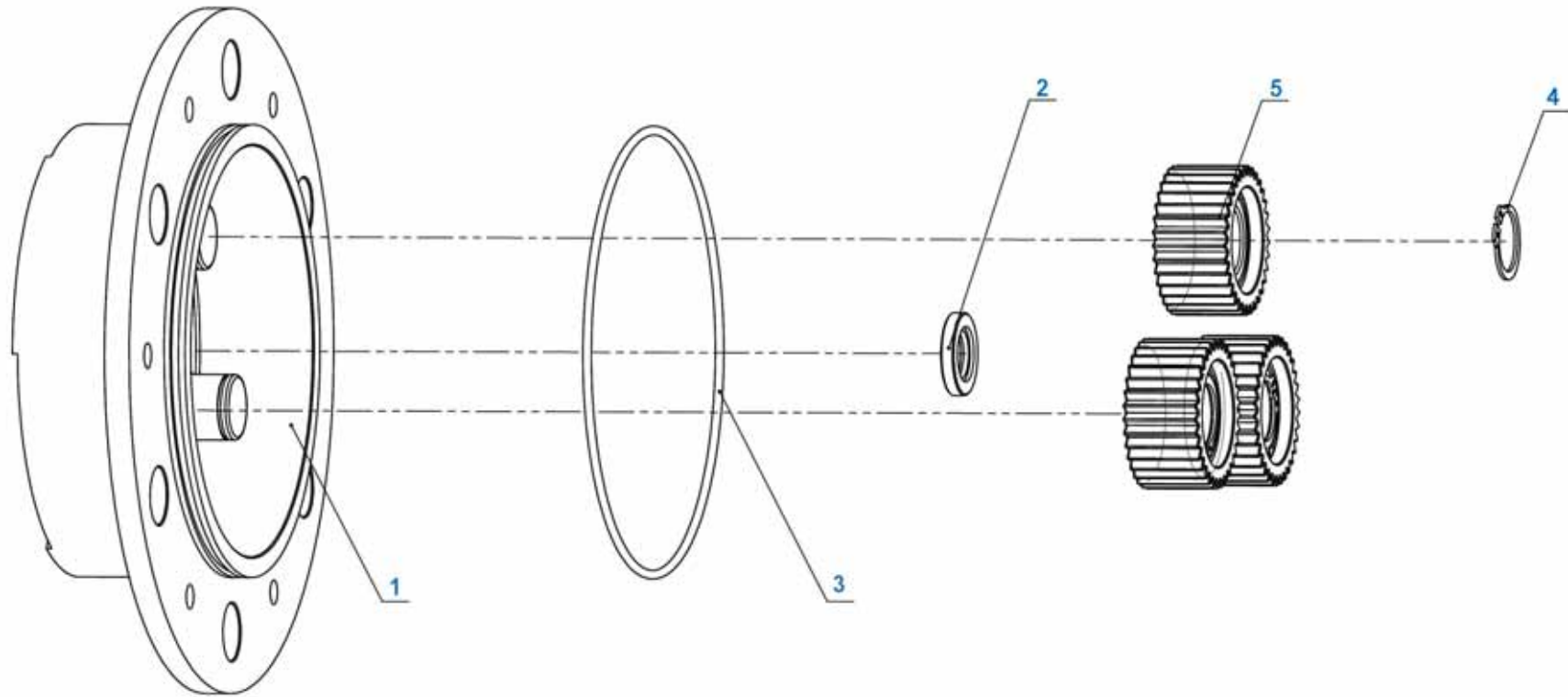
2.4 Front axle assembly



Front axle assembly parts list

Item	Part Number	Part Name	Quantity	Remark
1	850-120001-000	Connecting base	1	
2	850-120002-G00	Connecting sleeve	1	
3	1230-120002-G20	Brake drum	1	
4	850-120003-000	Pressing sleeve	1	
5	850-120005-G00	Hinged bolts M10X20-10.9 class	2	
6	1230-120006-010	Stud	8	
7	850-111000-000	Differential assembly	1	
8	850-113000-000	Sleeving assembly (left)	1	
9	850-114000-000	Sleeving assembly (right)	1	
10	850-115000-000	Wheel hub reducer	2	
11	850-121000-000	Axle shell components	1	
12	000093 000141A	Standard elastic washer 14	46	
13	005782 140602A	Hexagon head bolt M14X60-10.9	32	
14	000701 100201A	Hexagon socket socket head screw M10x20-8.8	2	
15	009457 020002A	Nut M20*1.5	1	
16	000702 080202A	Screw M8X20-10.9	22	
17	005783 140452A	Hexagon head bolt full thread M14x45-10.9	14	
18	000091 040501A	Cotter pin 4x50	1	
19	000971 000201A	Flat washer 20	1	
20	034521 200265A	O-ring 20*2.65	1	
21	034521 345265A	O-ring 34.5*2.65	1	
22	000982 000014A	Combined sealing gasket 14	3	
23	001000 000141A	Hexagon plugM14*1.5	3	
24	1230-110021-G10	Vent valve M8*1	1	
25	004444 000141A	Hexagon screw plug M14*1.5	2	
26	034521 200350A	O-ring 20X3.5	2	
27	1230-121000-G20	Hand brake assembly	1	

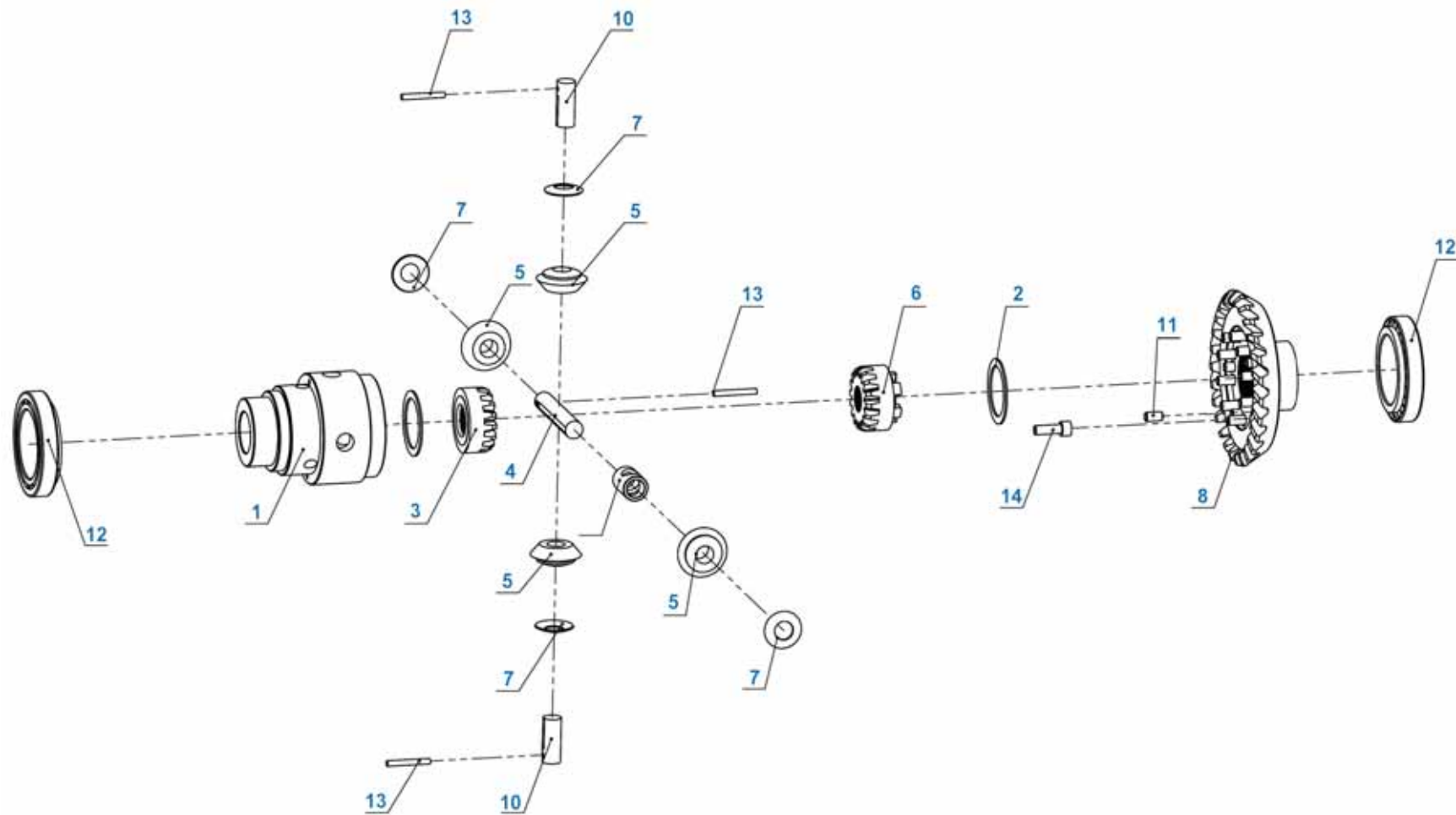
2.5 Wheel hub reducer



Wheel hub reducer parts list

Item	Part Number	Part Name	Quantity	Remark
1	850-115001-G00	Planet carrier	1	
2	850-115002-000	Half shaft copper pad	1	
3	012350 156200A	O-ring 156X2.0	1	
4	008941 000241A	Circlip for shaft 24	3	
5	850-115100-G00	Planetary gear assembly	3	

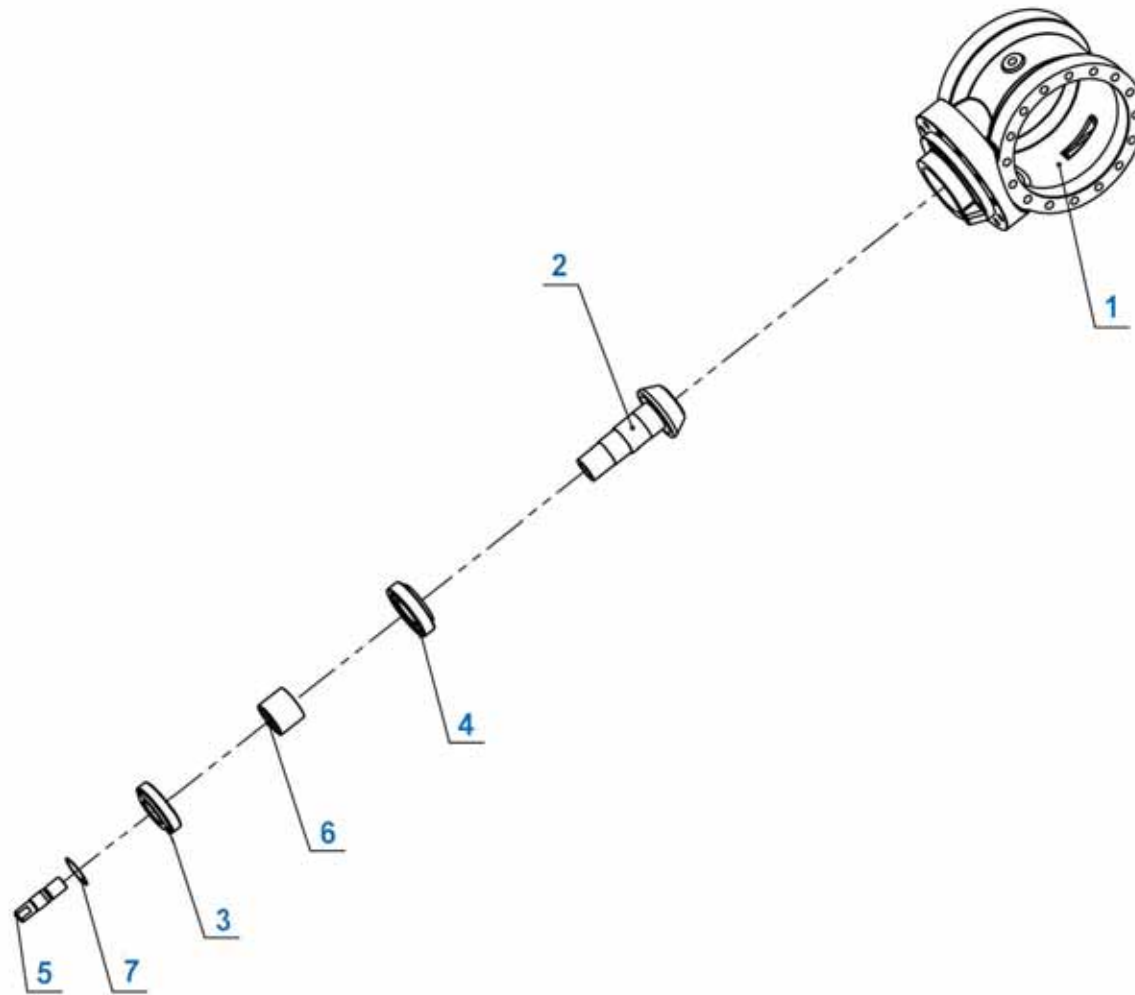
2.6 Differential assembly



Differential assembly parts list

Item	Part Number	Part Name	Quantity	Remark
1	850-111001-000	Outer shell	1	
2	850-111002-000	Axle shaft gear thrust washers	2	
3	850-111003-G00	Axle gear I	1	
4	850-111004-000	Long pin	1	
5	850-111005-G00	Planetary gear	4	
6	850-111006-G00	Axle gear II	1	
7	850-111007-G00	Planetary gear thrust washer	4	
8	850-111008-G00	Differential gear	1	
9	850-111009-G00	Connection sleeve	1	
10	850-111010-000	Short pin	2	
11	850-111011-000	Differential gear positioning pin	5	
12	000297 030215A	Tapered Roller Bearings 32015	2	
13	000117 060501A	Taper pin A type 6*50	3	
14	000701 100303A	Hexagon socket head screw M10×30-12.9	10	

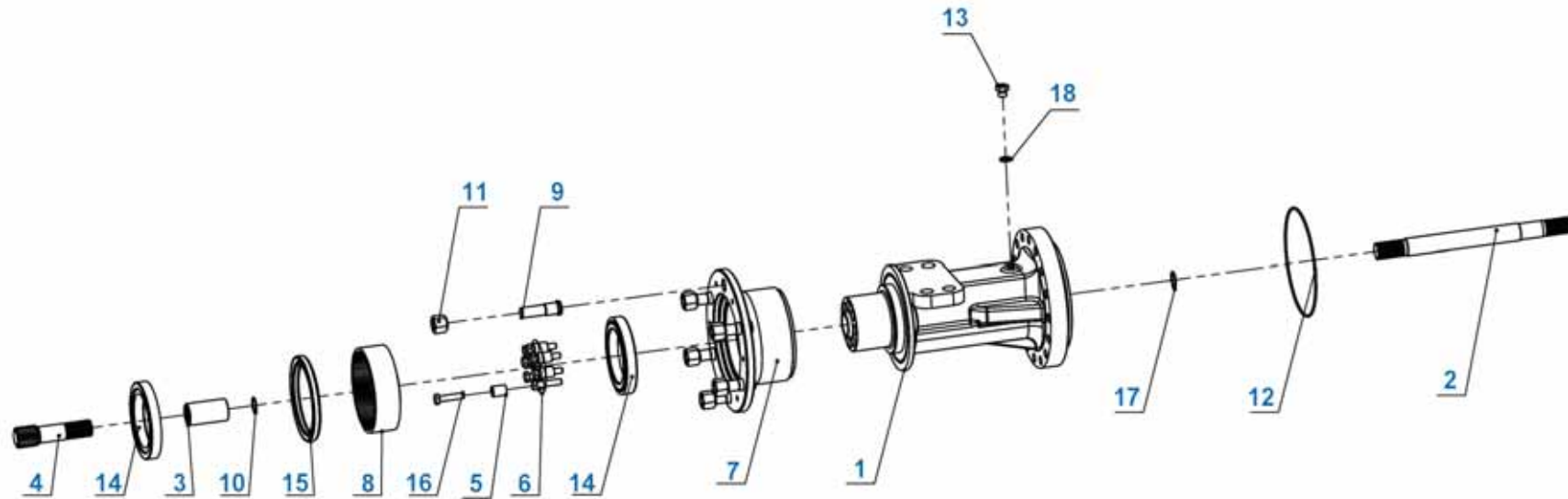
2.7 Axle housing component



Axle housing component parts list

Item	Part Number	Part Name	Quantity	Remark
1	850-112001-000	Differential housing	1	
2	850-112002-G00	Conch umbrella	1	
3	000297 030208A	Tapered Roller Bearings 30208	1	
4	000297 032209A	Tapered Roller Bearings 32209	1	
5	850-112003-000	Fastening bolt	1	
6	850-111014-000	Set	1	
7	850-111013-000	Gasket	1	

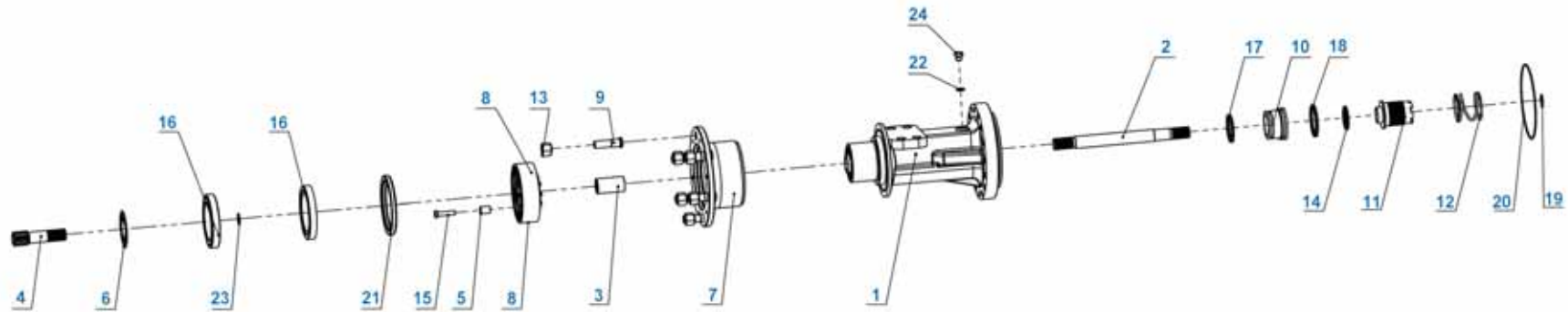
2.8 Sleeve assembly (left)



Sleeve assembly (left) parts list

Item	Part Number	Part Name	Quantity	Remark
1	850-113001-000	Sleeve	1	
2	850-113004-G00	Transmission shaft	1	
3	850-113005-G00	Spline bushing	1	
4	850-113006-G00	Center axle	1	
5	850-113007-000	Locating shaft	8	
6	850-113008-000	Wheel bearing adjusting washer	1	
7	850-113009-000	Bearing seat	1	
8	850-113010-G00	Ring gear	1	
9	850-113011-G00	Tire bolt	6	
10	008931 000251A	Circlip for hole25	1	
11	1230-110020-G10	Hub nut	6	
12	012350 180310A	O-ring 180X3.1	1	
13	1230-110019-G10	Screw plug M14X1.5	1	
14	819349 09513520	Tapered Roller Bearings JL819349	2	
15	138711 12015012	Lip seal 120*150*12	1	
16	005783 100452A	Hexagon head bolts full thread M10x45-10.9	8	
17	008941 000251A	Circlip for shaft 25	1	
18	000982 000014A	Combined sealing gasket 14	1	

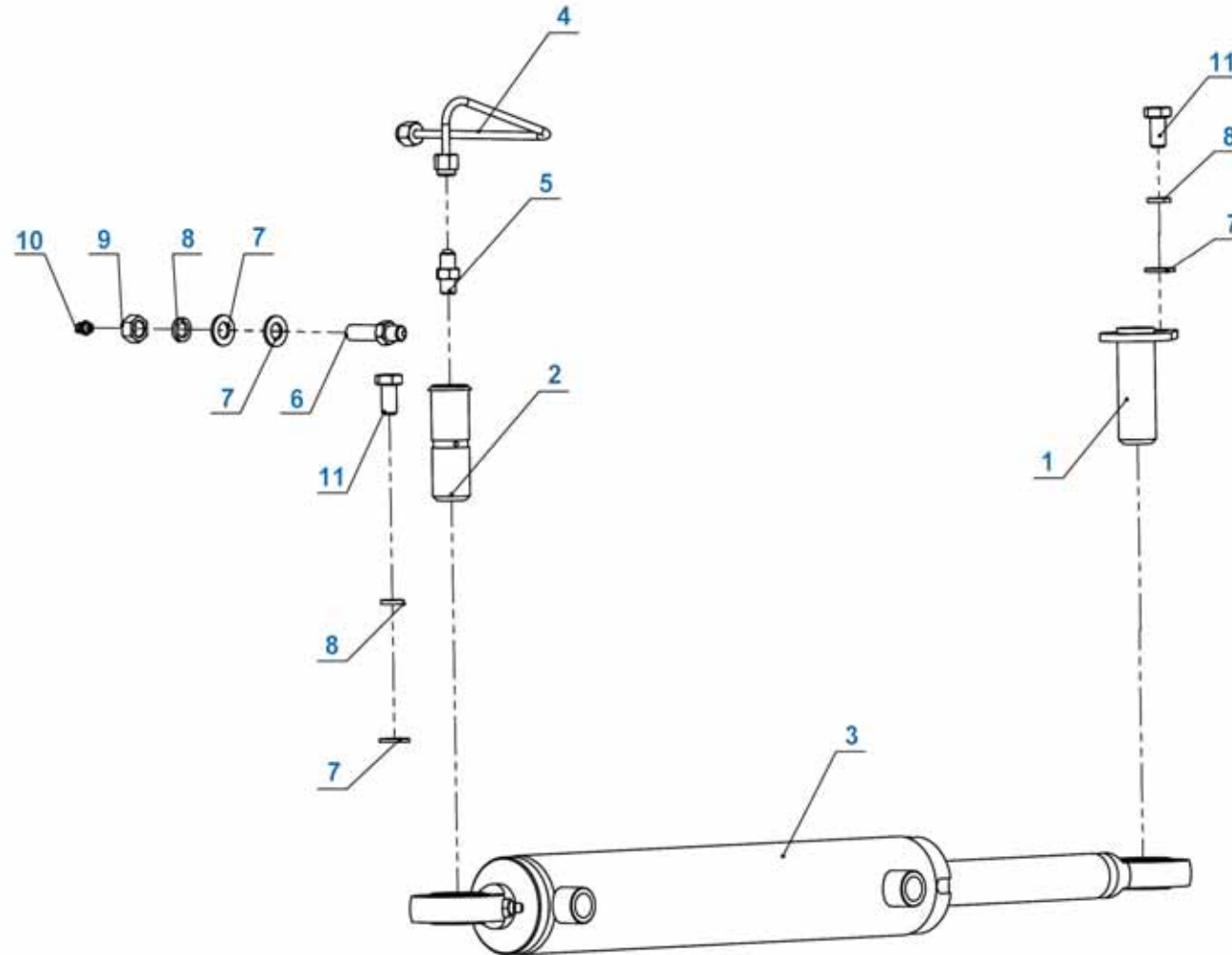
2.9 Sleeve assembly (right)



Sleeve assembly (right) parts list

Item	Part Number	Part Name	Quantity	Remark
1	850-113001-000	Sleeve	1	
2	850-113004-G00	Transmission shaft	1	
3	850-113005-G00	Spline bushing	1	
4	850-113006-G00	Center axle	1	
5	850-113007-000	Locating shaft	8	
6	850-113008-000	Wheel bearing adjusting washer	1	
7	850-113009-000	Bearing seat	1	
8	850-113010-G00	Ring gear	1	
9	850-113011-G00	Tire bolt	6	
10	850-114001-000	Piston	1	
11	850-114002-G00	Combine teeth	1	
12	850-114003-G00	Differential lock spring	1	
13	1230-110020-G10	Hub nut	6	
14	004605 04006005	Thrust needle roller bearings 889108	1	
15	005783 100452A	Hexagon head bolts full thread M10×45-10.9	8	
16	819349 09513520	Tapered Roller Bearings JL819349	2	
17	USH000 06007006	Oil seal 60X70X6	1	
18	USH000 07008006	Oil seal 70*80*6	1	
19	008941 000251A	Circlip for shaft 25	1	
20	012350 180310A	O-ring 180X3.1	1	
21	138711 12015012	Lip seal 120*150*12	1	
22	000982 000014A	Combined sealing gasket 14	1	
23	008931 000251A	Circlip for hole 25	1	
24	001000 000141A	Hexagon plug M14*1.5	1	

3. Steering system

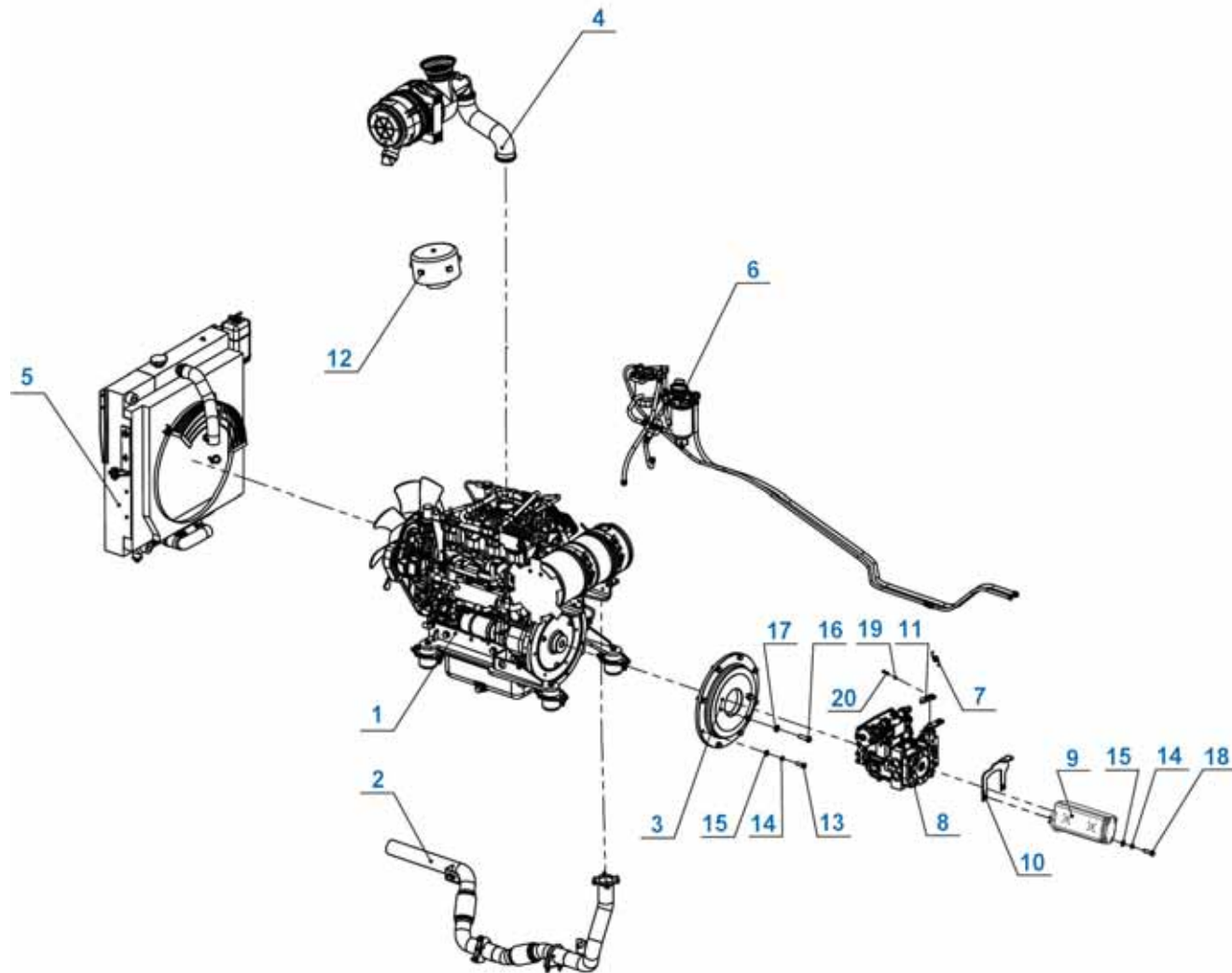


Steering system parts list

Item	Part Number	Part Name	Quantity	Remark
1	1130-200100-000	Pin shaft assembly	1	
2	1130-200200-000	Pin shaft assembly	1	
3	850-201000-G00	850 steering cylinder component	1	
4	850-615100-G00	Butter tube for steering pin	1	
5	1130-650001-000	Straight joint (pin side)	1	
6	1130-650002-000	Straight joint (refueling end)	1	
7	000971 000101A	Flat washer 10	4	
8	000093 000101A	Standard elastic washer 10	3	
9	006170 010001A	Hex nut M10	1	
10	079401 006101A	Straight-through pressure oil cup M6x1.0	1	
11	005783 100201A	Hexagon head bolts full thread M10x20-8.8	2	

4. Power system

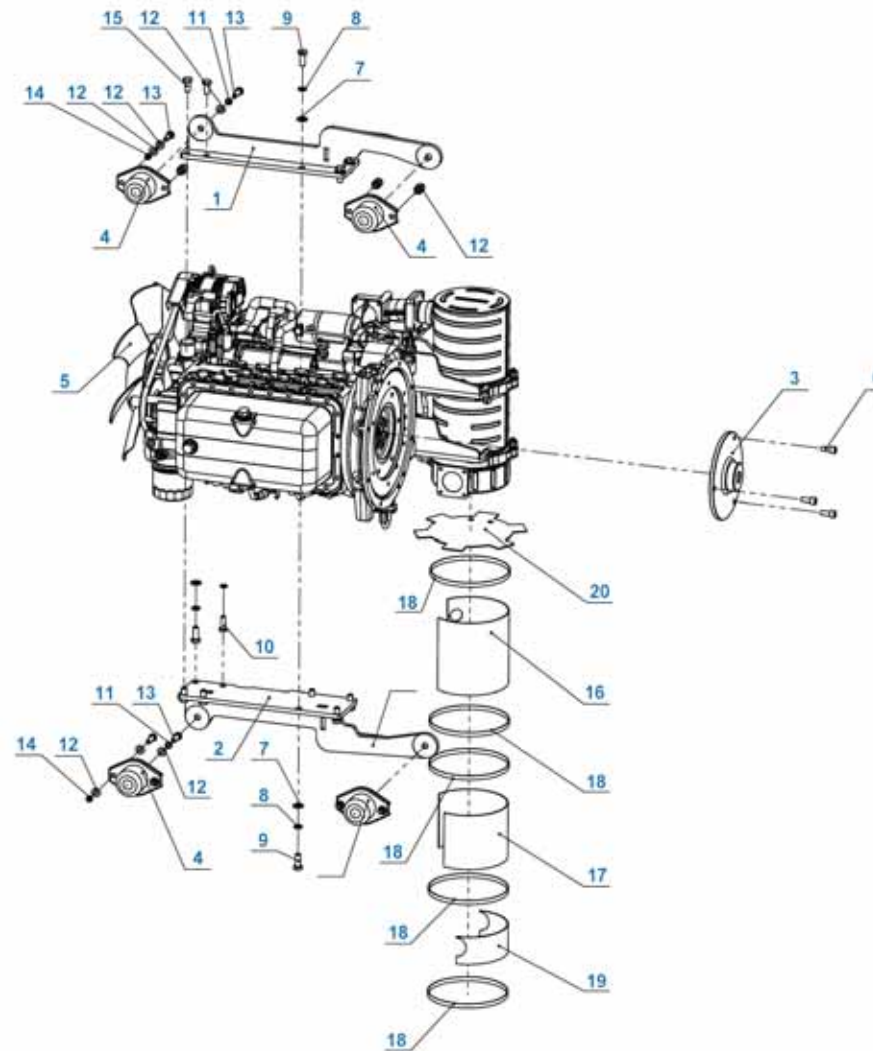
4.1 Power system installation assembly



Power system installation assembly parts list

Item	Part Number	Part Name	Quantity	Remark
1	1130-200100-000	Pin shaft assembly	1	
2	1130-200200-000	Pin shaft assembly	1	
3	850-201000-G00	850 steering cylinder component	1	
4	850-615100-G00	Butter tube for steering pin	1	
5	1130-650001-000	Straight joint (pin side)	1	
6	1130-650002-000	Straight joint (refueling end)	1	
7	000971 000101A	Flat washer 10	1	
8	000093 000101A	Standard elastic washer 10	1	
9	006170 010001A	Hex nut M10	1	
10	079401 006101A	Straight-through pressure oil cup M6x1.0	1	
11	005783 100201A	Hexagon head bolts full thread M10×20-8.8	1	
12	1130-200100-000	Pin shaft assembly	1	
13	1130-200200-000	Pin shaft assembly	8	
14	850-201000-G00	850 steering cylinder component	10	
15	850-615100-G00	Butter tube for steering pin	10	
16	1130-650001-000	Straight joint (pin side)	2	
17	1130-650002-000	Straight joint (refueling end)	4	
18	000971 000101A	Flat washer 10	2	
19	000093 000101A	Standard elastic washer 10	1	
20	006170 010001A	Hex nut M10	1	

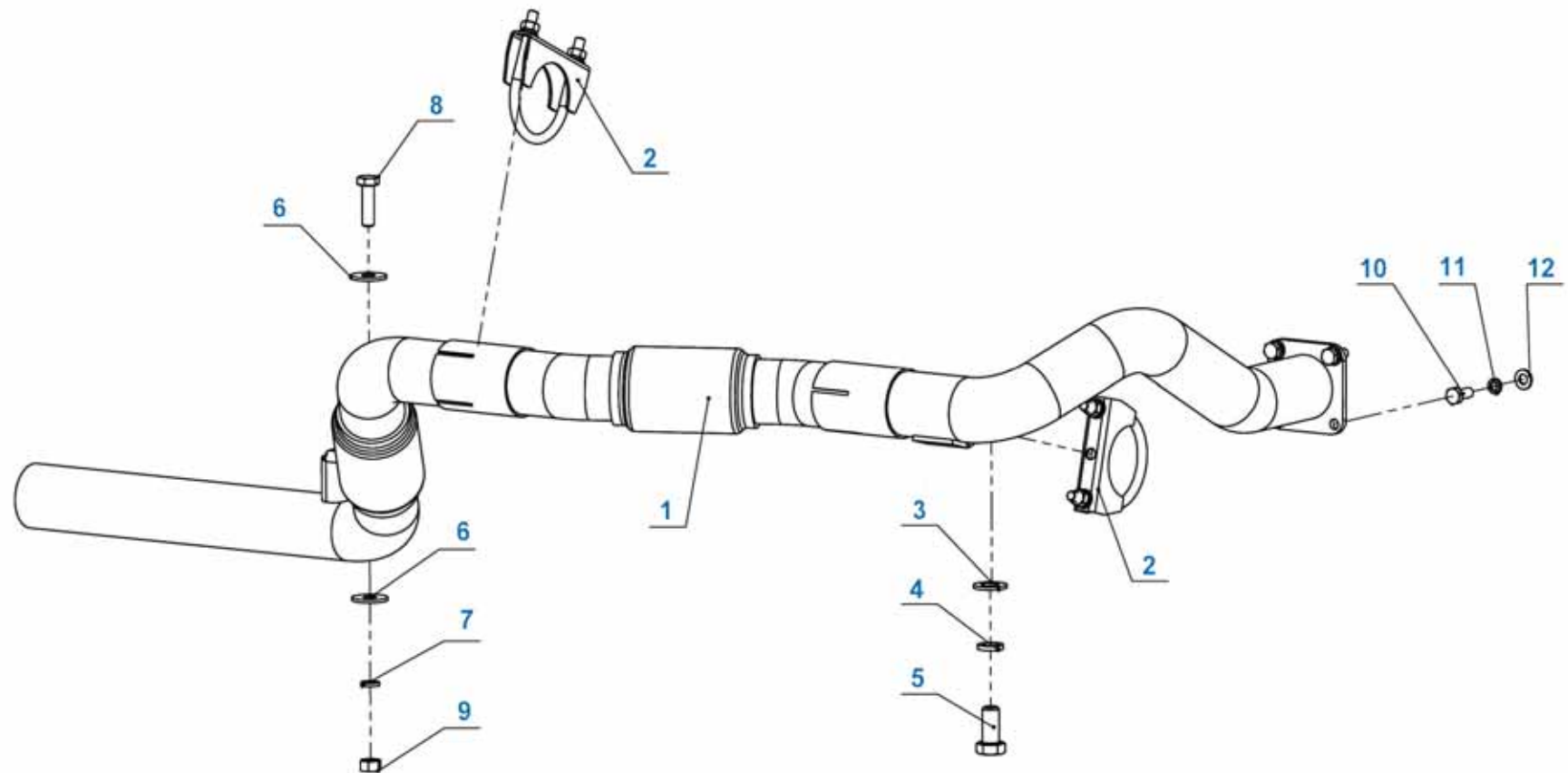
4.2 Engine components



Engine components parts list

Item	Part Number	Part Name	Quantity	Remark
1	1130-200100-000	Pin shaft assembly	1	
2	1130-200200-000	Pin shaft assembly	1	
3	850-201000-G00	850 steering cylinder component	1	
4	850-615100-G00	Butter tube for steering pin	4	
5	1130-650001-000	Straight joint (pin side)	1	
6	1130-650002-000	Straight joint (refueling end)	3	
7	000971 000101A	Flat washer 10	11	
8	000093 000101A	Standard elastic washer 10	11	
9	006170 010001A	Hex nut M10	11	
10	079401 006101A	Straight-through pressure oil cup M6x1.0	1	
11	005783 100201A	Hexagon head bolts full thread M10x20-8.8	5	
12	1130-200100-000	Pin shaft assembly	21	
13	1130-200200-000	Pin shaft assembly	12	
14	850-201000-G00	850 steering cylinder component	8	
15	850-615100-G00	Butter tube for steering pin	4	
16	1130-650001-000	Straight joint (pin side)	1	
17	1130-650002-000	Straight joint (refueling end)	1	
18	000971 000101A	Flat washer 10	5	
19	000093 000101A	Standard elastic washer 10	1	
20	006170 010001A	Hex nut M10	1	

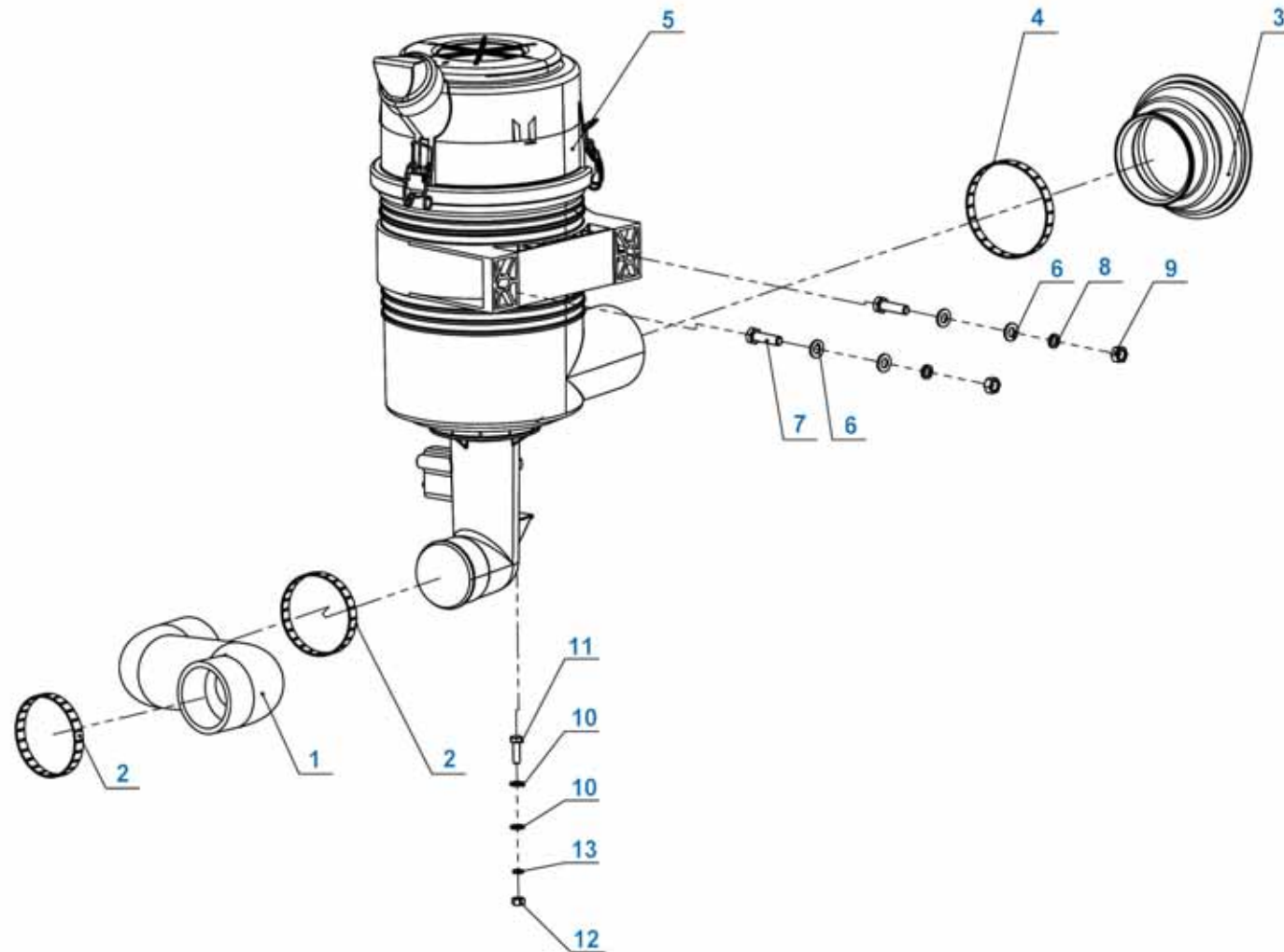
4.3 Exhaust system



Exhaust system parts list

Item	Part Number	Part Name	Quantity	Remark
1	1130-200100-000	Pin shaft assembly	1	
2	1130-200200-000	Pin shaft assembly	2	
3	850-201000-G00	850 steering cylinder component	1	
4	850-615100-G00	Butter tube for steering pin	1	
5	1130-650001-000	Straight joint (pin side)	1	
6	1130-650002-000	Straight joint (refueling end)	2	
7	000971 000101A	Flat washer 10	1	
8	000093 000101A	Standard elastic washer 10	1	
9	006170 010001A	Hex nut M10	1	
10	079401 006101A	Straight-through pressure oil cup M6x1.0	4	
11	005783 100201A	Hexagon head bolts full thread M10x20-8.8	4	
12	1130-200100-000	Pin shaft assembly	4	

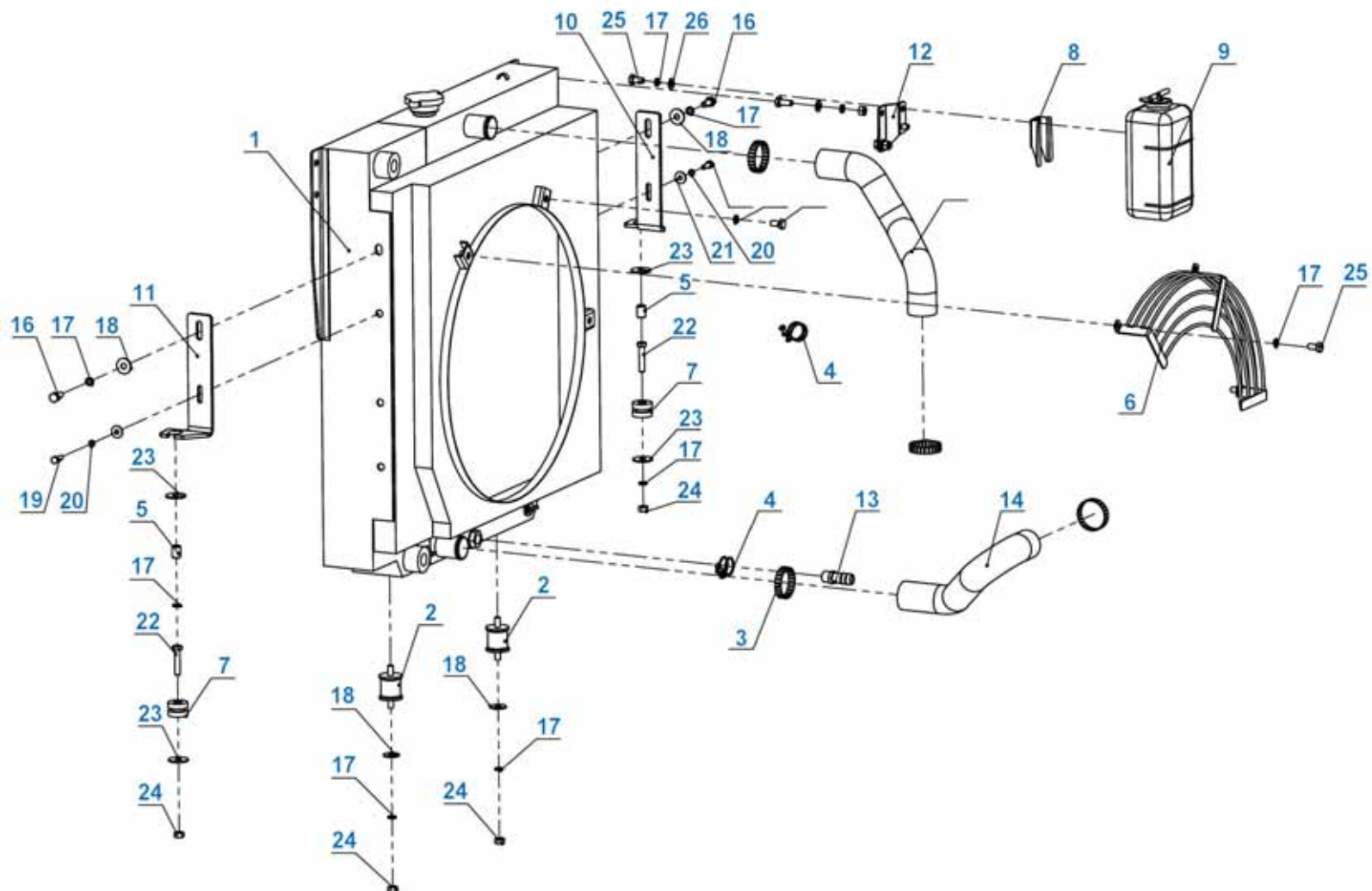
4.4 Inlet system



Inlet system parts list

Item	Part Number	Part Name	Quantity	Remark
1	1130-200100-000	Pin shaft assembly	1	
2	1130-200200-000	Pin shaft assembly	2	
3	850-201000-G00	850 steering cylinder component	1	
4	850-615100-G00	Butter tube for steering pin	1	
5	1130-650001-000	Straight joint (pin side)	1	
6	1130-650002-000	Straight joint (refueling end)	4	
7	000971 000101A	Flat washer 10	2	
8	000093 000101A	Standard elastic washer 10	2	
9	006170 010001A	Hex nut M10	2	
10	079401 006101A	Straight-through pressure oil cup M6x1.0	2	
11	005783 100201A	Hexagon head bolts full thread M10x20-8.8	1	
12	1130-200100-000	Pin shaft assembly	1	
13	1130-200200-000	Pin shaft assembly	1	

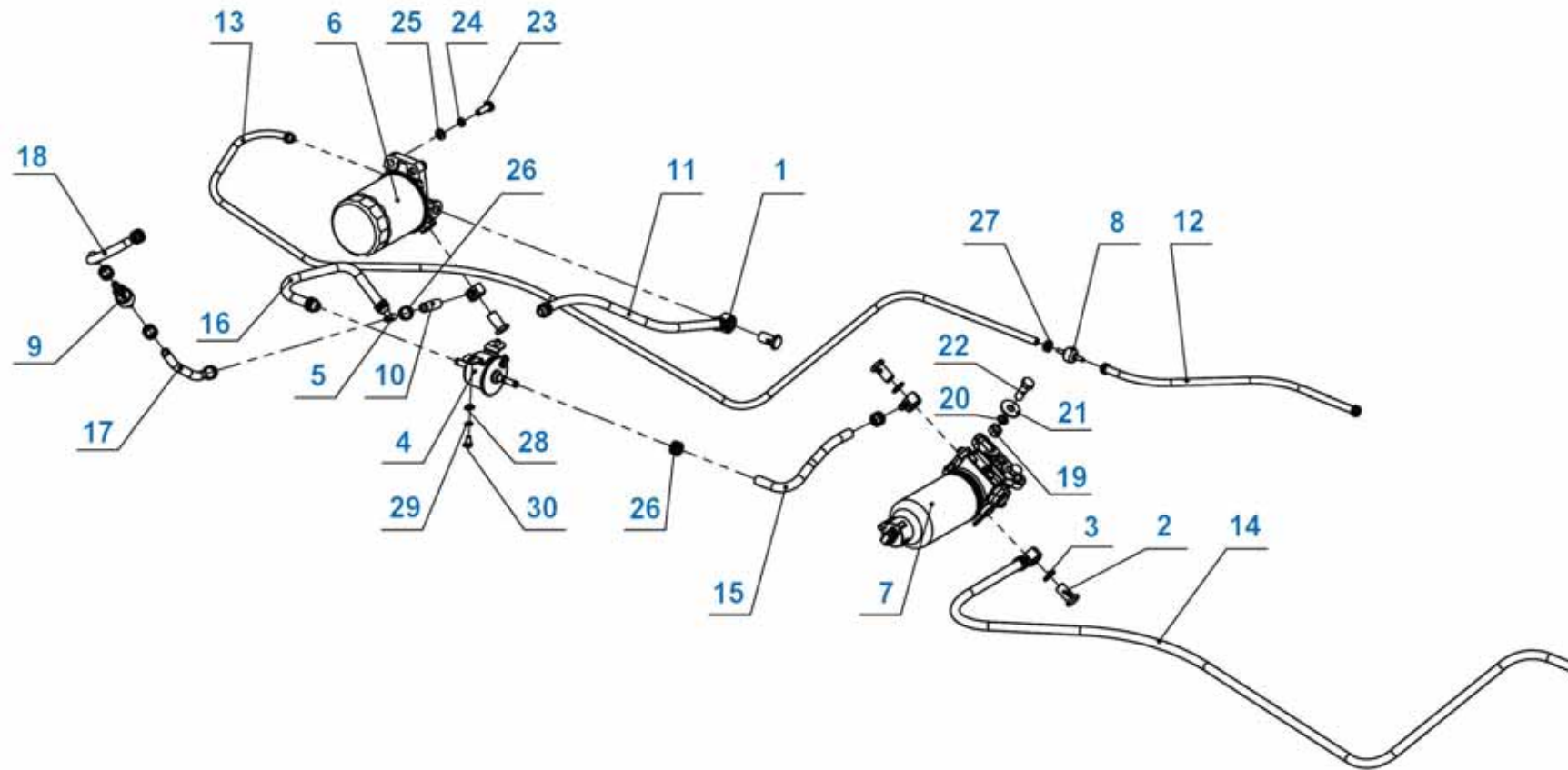
4.5 Cooling system



Cooling system parts list

Item	Part Number	Part Name	Quantity	Remark
1	850-340100-G20	Water tank assembly (Euro 5)	1	
2	1130-340001-G00	Cushion	2	
3	S00045	Double steel wire clamp 45	4	
4	S00024	Double steel wire clamp 24	2	
5	1130-340007-G00	Sleeve	2	
6	850-340300-000	Radiator fan cover assembly	1	
7	1130-340006-G00	Upper radiator cushion	2	
8	K30000 340004	Sub-tank bracket assembly	1	
9	K30G00345000	Sub-tank 92638340	1	
10	850-340004-100	Left bracket of water tank	1	
11	850-340005-100	Right bracket of water tank	1	
12	850-300003-000	Sub-tank mounting plate	1	
13	850-340006-100	Hot water pipe joint	1	
14	850-340001-G20	Down water pipe	1	
15	850-340005-200	Warm water pipe joint (Euro 5)	1	
16	850-340002-G20	Upper water pipe	1	
17	005783 080201A	Hexagon head bolts full thread M8×20-8.8	4	
18	000093 000081A	Standard elastic washer 8	13	
19	000096 080241A	Increase flat washer 8X24	4	
20	005783 060201A	Hexagon head bolts full thread M6×20-8.8	2	
21	000093 000061A	Standard elastic washer 6	2	
22	000096 060181A	Increase flat washer 6X18	2	
23	005783 080401A	Hexagon head bolts full thread M8×40-8.8	2	
24	000096 080301A	Increase flat washer 8X30	4	
25	006170 008001A	Hex nut M8	6	
26	005783 080161A	Hexagon head bolts full thread M8×16-8.8	5	
27	000971 000081A	Flat washer 8	4	

4.6 Fuel system

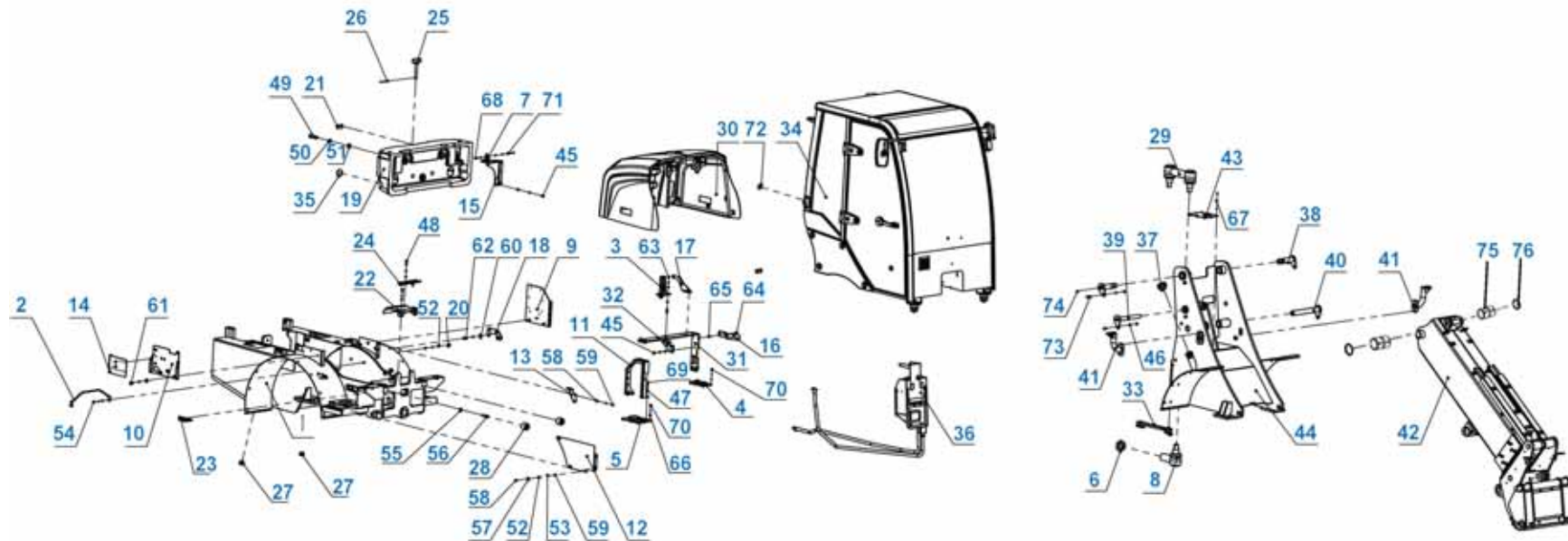


Fuel system parts list

Item	Part Number	Part Name	Quantity	Remark
1	1540195693	Connector	4	
2	1654195791	Articulated joint	4	
3	1710533682	Washer	8	
4	1G63952035	Electronic pump	1	
5	830-350001-100	Copper tee $\phi 8$	1	
6	1J33143012	Diesel filter	2	
7	1E78943351	Oil-water separator	1	
8	1C01042461	Oil return check valve	1	
9	1G91142460	One way valve	1	
10	850-350016-200	Fuel pipe 4	1	
11	850-350017-200	Fuel pipe 5	1	
12	850-350011-200	Oil return pipe 1	1	
13	850-350012-200	Oil return pipe 2	1	
14	850-350013-200	Fuel pipe 1	1	
15	850-350014-200	Fuel pipe 2	1	
16	850-350015-200	Fuel pipe 3	1	
17	850-350019-200	Fuel pipe 7	1	
18	850-350018-200	Fuel pipe 6	1	
19	006170010001A	Hex nut M10	2	
20	000093 000101A	Standard elastic washer 10	2	
21	000096 100301A	Increase flat washer 10X30	2	
22	005783 100301A	Hexagon head bolts full thread M10x30-8.8	2	
23	005783 080251A	Hexagon head bolts full thread M8x25-8.8	2	
24	000093 000081A	Standard elastic washer 8	2	
25	000971 000081A	Flat washer 8	2	
26	008870 009016A	Stainless steel hose clamp 9-16	13	
27	008870 008012A	Stainless steel hose clamp 8-12	4	
28	000971 000061A	Flat washer 6	2	
29	000093 000061A	Standard elastic washer 6	2	
30	005783 060121A	Hexagon head bolts full thread M6x12-8.8	2	

5. Car body system

5.1 Vehicle system assembly



Vehicle system assembly parts list

Item	Part Number	Part Name	Quantity	Remark
1	850-420000-200	Rear frame welding	1	
2	850-400800-100	Connecting rod assembly	1	
3	850-400900-200	Air filter mounting bracket assembly	1	
4	850-401200-100	Left fuel tank cover plate assembly (Yanmar)	1	
5	850-401300-100	Right fuel tank cover plate assembly	1	
6	850-400007-000	Hexagon thin nuts M56X1.5	1	
7	875-400012-000	Tail cover lock core mounting seat plate	1	
8	850-400100-G00	One-way spherical hinge assembly	1	
9	850-400013-200	ECU Mounting plate	1	
10	850-400014-100	Multi-way valve bracket	1	
11	850-400019-100	Bridge base on the right	1	
12	850-400020-100	Battery shield	1	
13	850-400021-100	Brake oil cup bracket	1	
14	850-400024-100	Relay mounting plate	1	
15	850-400026-100	Tail cover base mounting plate	1	
16	850-400027-200	Oil-water separator mounting bracket	1	
17	850-400029-200	Air filter side fixing plate	1	
18	850-400030-200	Exhaust tail pipe seat mounting plate	1	
19	850-440006-G10	Counterweight	1	
20	850T-434027-003	Length sensor welding seat	1	
21	1130-702001-610	Taillight fixing plate	2	
22	850-600800-000	Frame pipe clamp seat	1	
23	850-420011-000	Oil filter mounting plate	1	
24	850-600003-000	Front pressure plate	1	
25	1130-440900-000	Traction bolt	1	
26	1130-440010-G00	Elastic split pin (R-shaped card)	1	
27	004444 00G100A	G1 Plug	3	
28	1130-400026-000	Steering shock absorber	2	

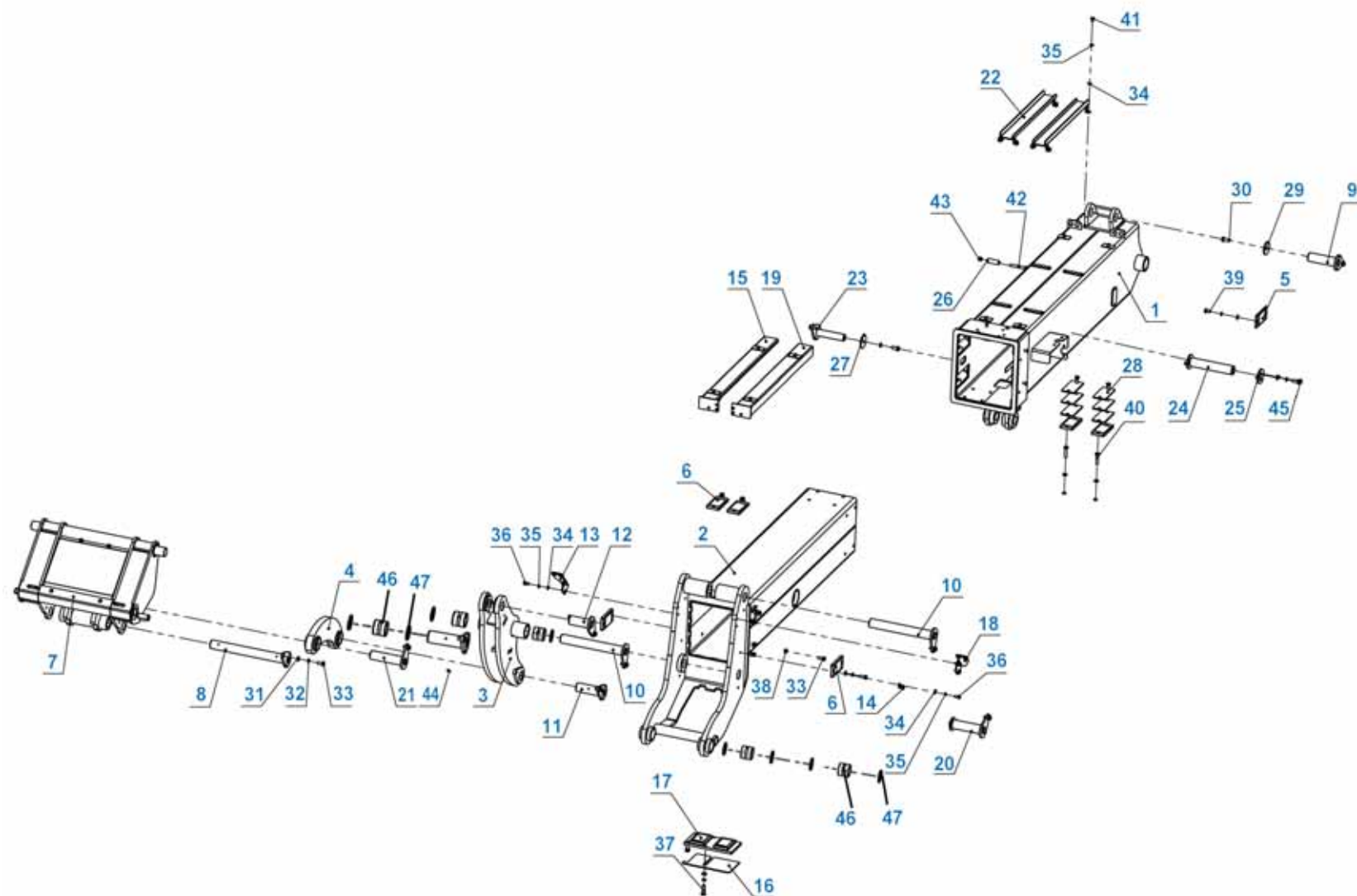
Vehicle system assembly parts list

Item	Part Number	Part Name	Quantity	Remark
29	850-400200-G00	Two-way spherical hinge assembly	1	
30	850-440000-200	Tail cover assembly components	1	
31	850-400028-200	Bridge board	1	
32	850-400022-200	Diesel filter mount	1	
33	850-400008-000	Safety connecting rod assembly	1	
34	850T-470000-300	Cab assembly	1	
35	8RA.002.014-031	Retro reflector red	2	
36	850T-477000-000	850T Heating system	1	
37	K30G00 313000	Fuel cap	1	
38	850T-430800-001	Boom pin assembly	2	
39	850T-430700-001	Slave cylinder rear pin assembly	1	
40	850T-430600-001	Rear pin assembly of lifting cylinder	1	
41	850-720100-000	Headlight bracket	2	
42	850T-430000-000	Working device assembly	1	
43	850T-400013-000	Diesel tank cover	1	
44	850T-410000-003	Front frame assembly	1	
45	005783 100201A	Hexagon head bolts full thread M10×20-8.8	12	
46	000093 000101A	10 Standard elastic washer	40	
47	000971 000101A	10 Flat Washers	34	
48	005783 100401A	Hexagon head bolts full thread M10×40-8.8	2	
49	000701 200653A	Hexagon socket head screw M20×65-12.9	2	
50	000093 000201A	Standard elastic washer 20	2	
51	000971 000201A	Flat Washers 20	2	
52	000971 000081A	Flat Washers 8	11	
53	000093 000081A	Standard elastic washer 8	14	
54	005783 080161A	Hexagon head bolts full thread M8×16-8.8	5	
55	000093 000161A	Standard elastic washer	2	
56	000701 160451A	Hexagon socket head screw M16×45-8.8	2	

Vehicle system assembly parts list

Item	Part Number	Part Name	Quantity	Remark
57	000096 080241A	8X24 Increase flat pad	5	
58	005783 080201A	Hexagon head bolts full thread M8×20-8.8	9	
59	006170 008001A	Hex nuts M8	6	
60	000096 100301A	10X30 Increase flat pad	12	
61	005783 100301A	Hexagon head bolts full thread M10×30-8.8	14	
62	005783 100351A	Hexagon head bolts full thread M10×35-8.8	4	
63	006170 010001A	M10 Hex nuts	10	
64	000096 060181A	Increase flat washer 6X18	2	
65	005783 060251A	Hexagon head bolts full thread M6×25-8.8	2	
66	000971 000061A	Flat Washers	28	
67	000093 000061A	Standard elastic washer 6	27	
68	006170 006001A	Hex nuts M6	4	
69	005783 100161A	Hexagon head bolts full thread M10×16-8.8	4	
70	000702 060161A	Hexagon socket flat head screws M6X16-8.8	24	
71	000701 060701A	Hexagon socket head screw M6×70-8.8	1	
72	000096 100451A	Increase flat washer 10X45	4	
73	005783 100251A	Hexagon head bolts full thread M10×25-8.8	4	
74	079401 006101A	Straight-through pressure oil cup M6x1.0	2	
75	850-430004-000	Copper bush 40X50X70	2	
76	138711 04005004	Oil seal 40*50*4	2	

5.2 Working device



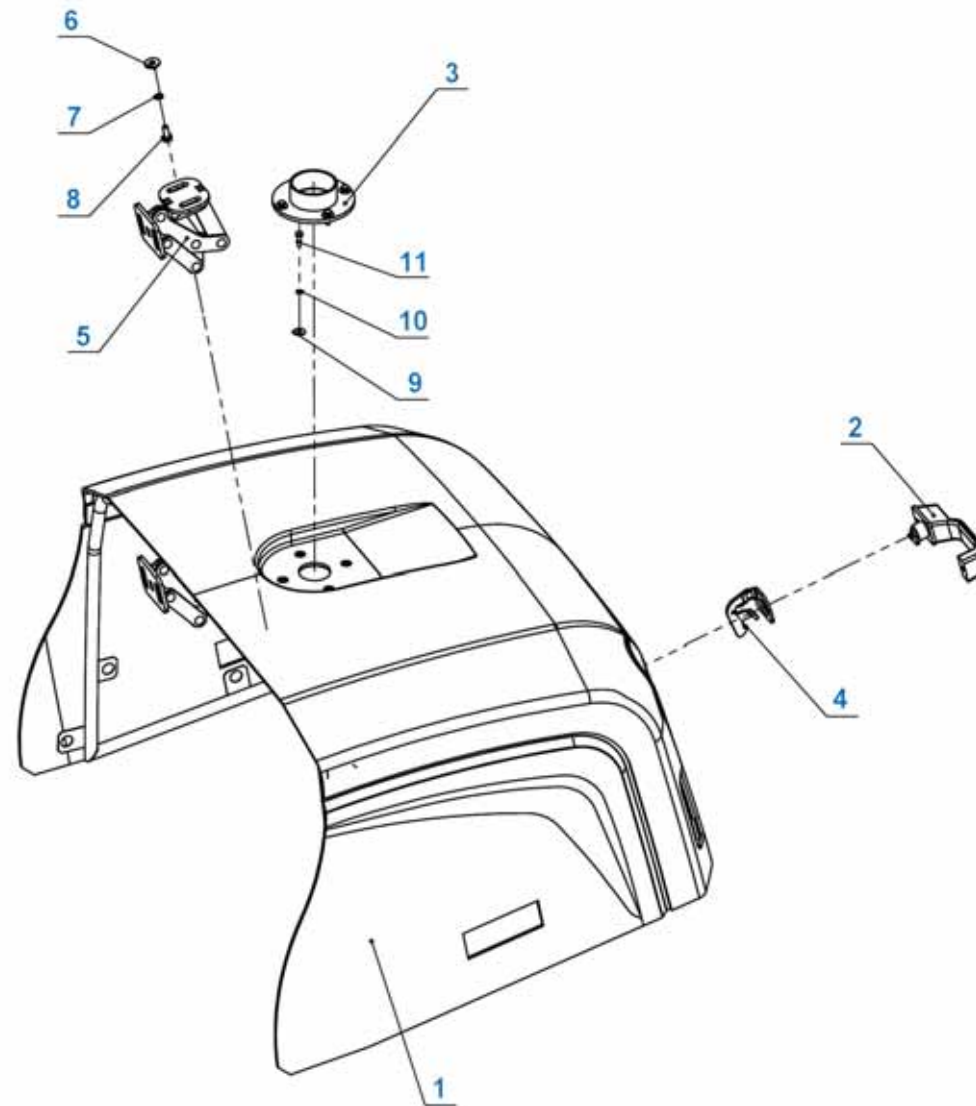
Working device parts list

Item	Part Number	Part Name	Quantity	Remark
1	850T-431000-003	Arm Assembly	1	
2	850T-434000-003	Telescopic arm	1	
3	850T-433000-003	Crank arm assembly	1	
4	850T-435000-003	Front connecting rod assembly	1	
5	850T-431100-000	Slider component 1	6	
6	850T-432400-000	Slider component	8	
7	850T-432000-003	850T hook assembly	1	
8	850T-431700-003	Pin assembly	1	
9	850T-430400-000	Rear pin assembly of telescopic cylinder	1	
10	850T-430100-003	Swing arm pin assembly	2	
11	850T-430300-003	Connecting rod pin assembly	1	
12	850T-431300-003	Crank arm pin assembly	1	
13	850T-434026-002	Plate	1	
14	850T-434027-003	Length sensor welding seat	1	
15	850T-434100-002	Pipe bracket	1	
16	850T-432205-000	Pad	1	
17	850T-432200-000	Main arm lower plate assembly	1	
18	850T-434028-002	Plate 2	1	
19	850T-434200-002	Pipe bracket 2	1	
20	850T-430500-001	Front pin assembly of lifting cylinder	1	
21	850T-431400-003	Connecting rod pin assembly 2	1	
22	850T-436000-000	Tubing support frame assembly	2	
23	850T-430900-001	Slave cylinder front pin	1	
24	850T-430201-001	Tilting cylinder pin	1	
25	850T-430202-000	Pin plate	2	
26	850T-400020-000	Roller	1	
27	1130-400012-000	Gasket	3	
28	850T-400021-000	Slider pad	6	

Working device parts list

Item	Part Number	Part Name	Quantity	Remark
29	000093 000121A	Standard elastic washer 12	3	
30	005783 120251A	Hexagon head bolts full thread M12×25-8.8	3	
31	000971 000101A	Flat Washers	43	
32	000093 000101A	Standard elastic washer	43	
33	005783 100251A	Hexagon head bolts full thread M10×25-8.8	35	
34	000971 000081A	Flat Washers	19	
35	000093 000081A	Standard elastic washer	23	
36	005783 080201A	Hexagon head bolts full thread M8×20-8.8	11	
37	005783 100401A	Hexagon head bolts full thread	4	
38	006170 010001A	Hex nuts M10	8	
39	005783 100161A	Hexagon head bolts full thread M10×16-8.8	8	
40	005783 100451A	Hexagon head bolts full thread M10×45	4	
41	005783 080121A	Hexagon head bolts full thread M8×12-8.8	8	
42	005783 100751A	Hexagon head bolts full thread M10×75-8.8	1	
43	008891 010001A	Type 1 hexagon lock nut with non-metallic insert	1	
44	079401 006101A	Straight-through pressure oil cup M6×1.0	4	
45	000701 080161A	Hexagon socket head screw M8×16-8.8	4	
46	850-430003-000	Copper bush 40*50*42	6	
47	138711 04005004	Oil seal 40*50*4	12	

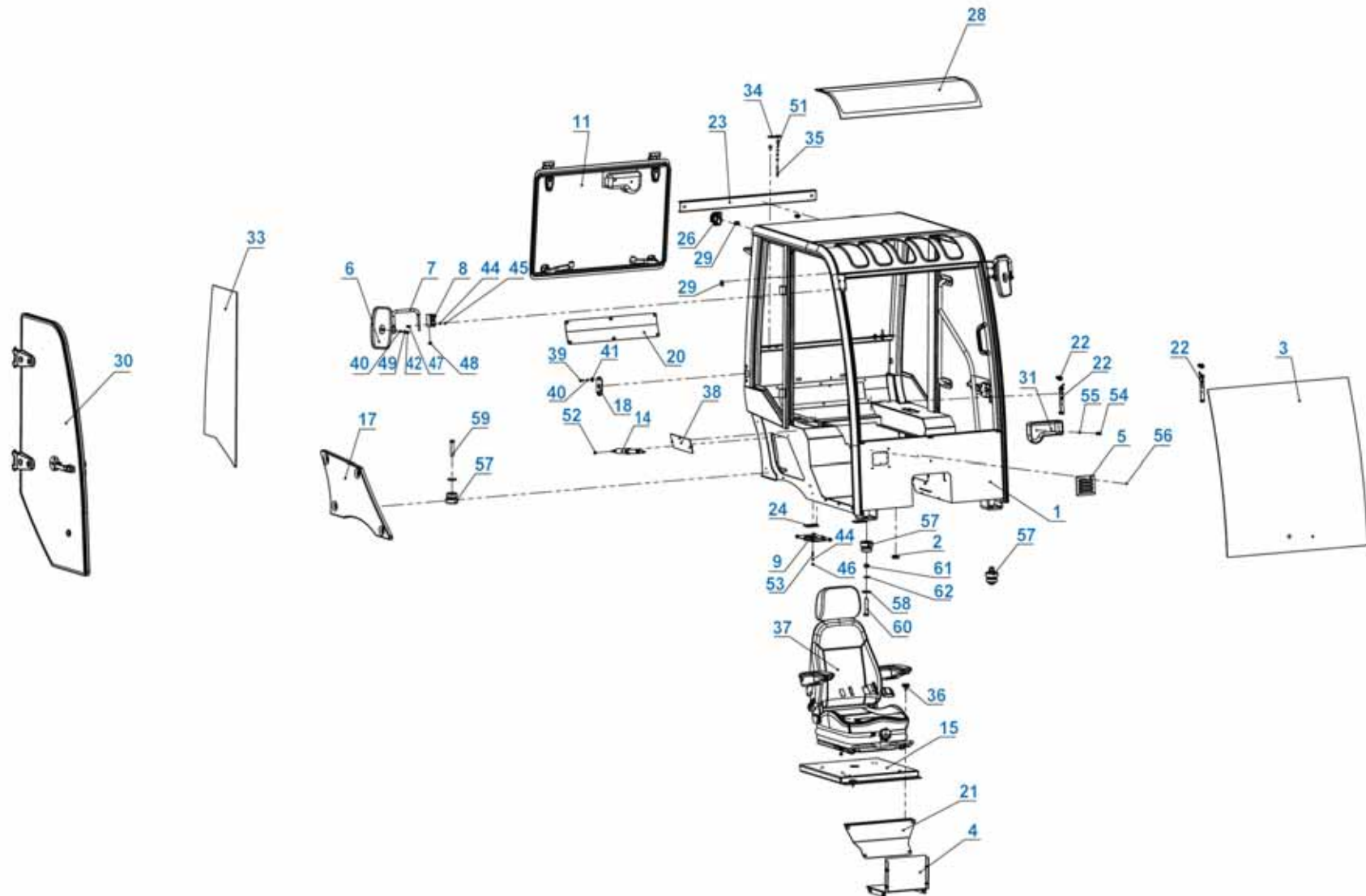
5.3 Rear bonnet assembly



Rear bonnet assembly parts list

Item	Part Number	Part Name	Quantity	Remark
1	850-440500-G20	Rear bonnet (2403 E5)	1	
2	810-445600-538	Handle	1	
3	850-300100-000	Air filter mount base assembly	1	
4	850-440003-538	Lock hook assembly	1	
5	850-445200-100	Bonnet hinge (850 Yanmar)	2	
6	000096 080241A	Increase flat washer 8X24	4	
7	000093 000081A	Standard elastic washer 8	4	
8	005783 080201A	Hexagon head bolts full thread M8×20-8.8	4	
9	000096 060181A	Increase flat washer 6X18	4	
10	000093 000061A	Standard elastic washer 6	4	
11	005783 060201A	Hexagon head bolts full thread M6×20-8.8	4	

5.4 Cab assembly



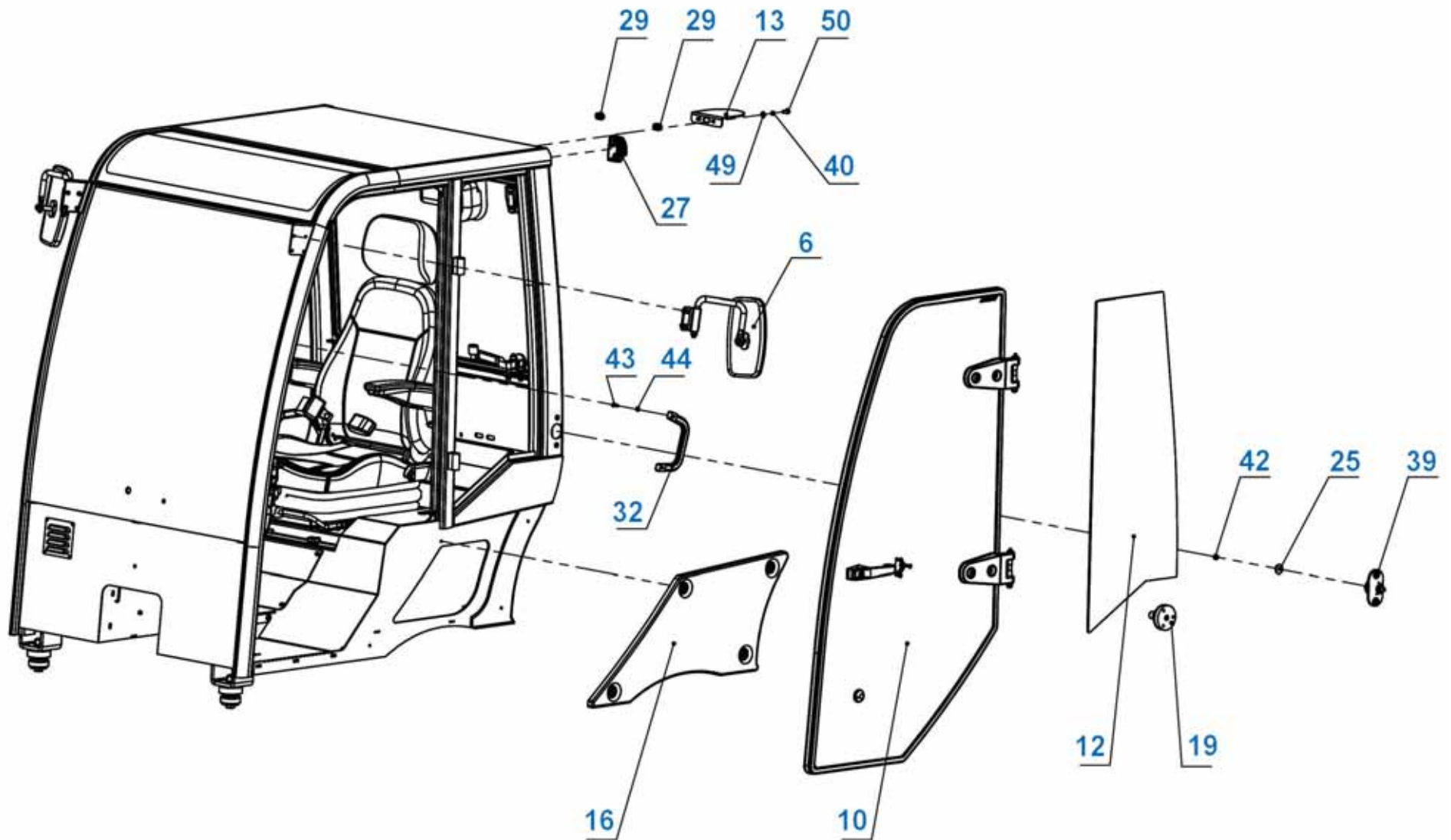
Cab assembly parts list

Item	Part Number	Part Name	Quantity	Remark
1	850-471000-300	Safety canopy welding (cab)	1	
2	1230-470010-000	Outlet guard ring	2	
3	750699000098	Front windscreen Glass	1	
4	850-476000-000	Hood cover plate group	1	
5	HDY-A	Louvered air outlet	1	
6	1130-440700-G00	Reflector mirror	2	
7	1230-470005-000	Mirror bracket	2	
8	1230-470006-000	Support	2	
9	850-400017-000	Multi-way valve cover	1	
10	850-472000-300	Left door assembly	1	
11	850-474000-300	Rear window assembly	1	
12	850-470002-300	Rear side window	1	
13	810-440012-000	Warning light bracket	1	
14	810-470400-G00	Gas spring L=400	1	
15	850-475000-300	Seat mounting plate welding	1	
16	850-470005-300	Left side panel of cab	1	
17	850-470010-300	Left side panel of cab	1	
18	850-470017-300	Lock mounting plate	2	
19	1140-440600-003	Door latch seat assembly	2	
20	850-470011-300	Seal plate	1	
21	850-479000-300	Baffle welding	1	
22	850-478000-000	Door lock installation kit	1	
23	850-470013-300	Top seal	1	
24	850-470009-G00	Hinge	2	
25	850-470016-300	Gasket	2	
26	K30000 540008	Shaped square tube decorative cover (right)	1	
27	K30000 540004	Special-shaped square tube decorative cover (left)	1	
28	1230-470001-200	Ceiling glass cover	1	

Cab assembly parts list

Item	Part Number	Part Name	Quantity	Remark
29	K30G00 540005	Headlight output coil	5	
30	850-473000-300	Right door assembly	1	
31	322040000079	Wiper sheath	1	
32	850-470018-300	Handle	1	
33	850-470001-300	Rear side window	1	
34	850-470019-300	Window post mounting plate	2	
35	850-470020-300	Window buckle column	2	

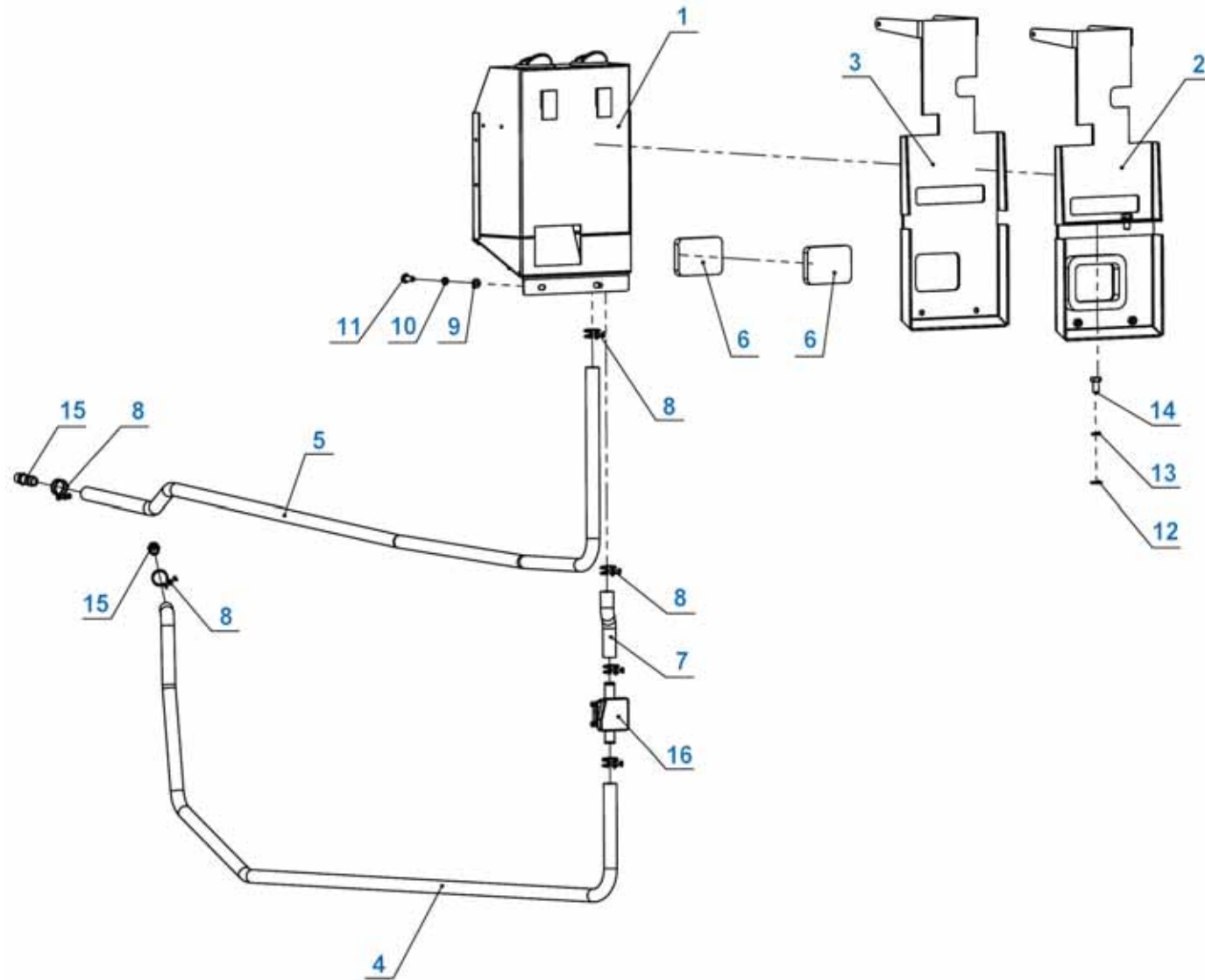
5.5 Cab assembly 2



Cab assembly 2 parts list

Item	Part Number	Part Name	Quantity	Remark
36	1130-440500-G00	Wing bolt M8*20	2	
37	0018-520009-000	SC25-Y seat	1	
38	820-470006-300	Seal plate	1	
39	000702 080202A	Hexagon socket flat head screw M8X20-10.9	12	
40	000093 000081A	Standard elastic washer 8	26	
41	000096 080241A	Increase flat washer 8X24	12	
42	006170 008001A	Hex nut M8	8	
43	000702 060201A	Hexagon socket flat head screw M6X20-8.8	2	
44	000093 000061A	Standard elastic washer 6	19	
45	006170 006001A	Hex nut M6	8	
46	000971 000061A	Flat washer 6	17	
47	005783 060201A	Hexagon head bolts full thread M6×20-8.8	8	
48	008891 010001A	Type 1 hexagon lock nut with non-metallic insert M10	2	
49	000971 000081A	Flat washer 8	14	
50	005783 080161A	Hexagon head bolts full thread M8×16-8.8	2	
51	005783 080201A	Hexagon head bolts full thread M8×20-8.8	10	
52	008891 008001A	Type 1 hexagon lock nut with non-metallic insert M8	2	
53	000702 060161A	Hexagon socket flat head screw M6X16-8.8	9	
54	1140-474010-003	Fixed plate	1	
55	000702 060102A	Hexagon socket flat head screw M6X10-10.9	1	
56	000845 040101A	Cross recessed pan head tapping screws 4*10	4	
57	1130-440800-000	Cab shock absorber assembly	4	
58	000096 160501A	Increase flat washer 16X50	4	
59	005783 160801A	Hexagon head bolts full thread M16×80-8.8	2	
60	005783 160901A	Hexagon head bolts full thread M16×90-8.8	2	
61	006170 016001A	Hex nut M16	2	
62	000971 000161A	Flat washer 16	2	

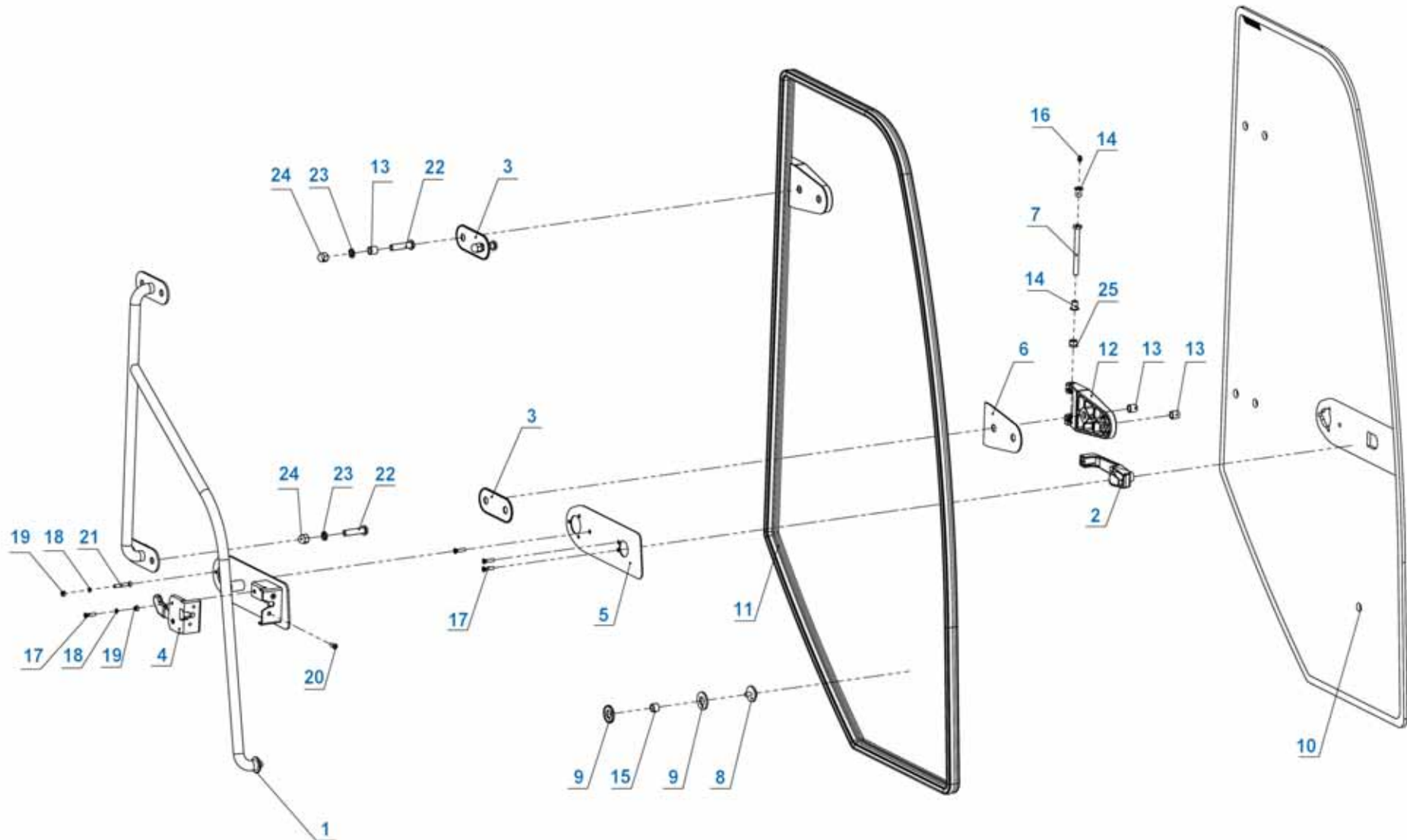
5.6 Heating system



Heating system parts list

Item	Part Number	Part Name	Quantity	Remark
1	1230-700100-G00	Heater	1	
2	850T-477100-000	Heater installation board assembly	1	
3	850T-477101-001	Heater installation plate	1	
4	850-477003-000	Water pipe 1	1	
5	850-477004-000	Water pipe 2	1	
6	1230-470015-500	Dust-proof sealing cotton	2	
7	850-477005-000	Water pipe 3	1	
8	S00024	Double steel wire clamp 24	6	
9	000971 000081A	Flat washer 8	2	
10	000093 000081A	Standard elastic washer 8	2	
11	005783 080201A	Hexagon head bolts full thread M8×20-8.8	2	
12	000971 000101A	Flat washer 10	2	
13	000093 000101A	Standard elastic washer 10	2	
14	005783 100201A	Hexagon head bolts full thread M10×20-8.8	2	
15	850-340006-100	Hot water pipe joint	2	
16	T0.83.0113	Heater water valve	1	

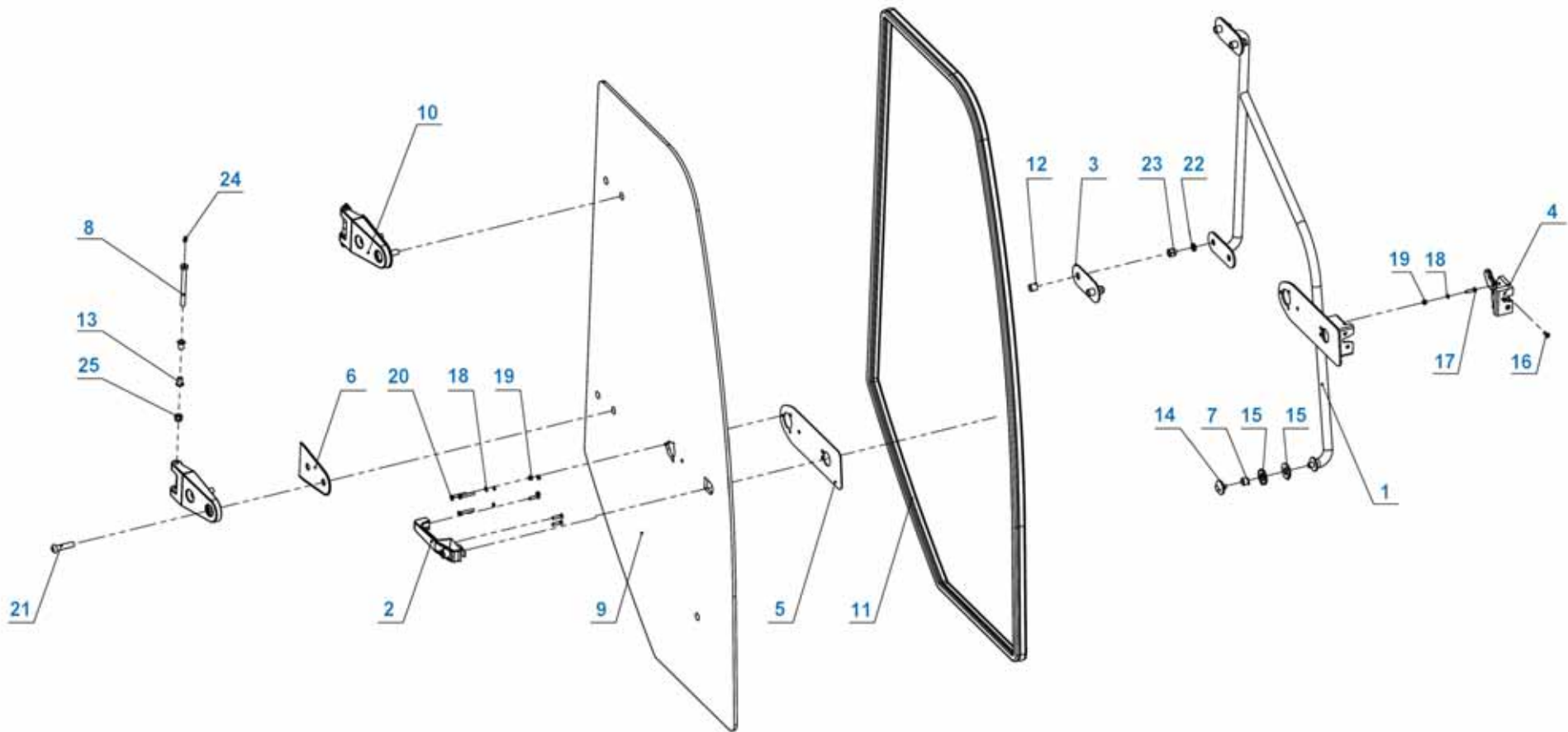
5.7 Left door assembly



Left door assembly parts list

Item	Part Number	Part Name	Quantity	Remark
1	1230-473100-500	Left door lock fixing plate assembly	1	
2	1230-470602-G00	Door lock handle	1	
3	1230-472002-000	Fixed plate rubber pad 1	2	
4	1230-470601-G00	Left lock	1	
5	1140-472004-003	Fixed plate rubber pad 2	1	
6	1140-472005-003	Cab hinge rubber pad	2	
7	1140-470402-003	Pin shaft	2	
8	K30G00 585202	Glass fixing bolt	1	
9	K30G00 580302	Fixed glass rubber pad	2	
10	850-472001-300	Side door glass	1	
11	850-472004-200	Left door sealing strip	1	
12	850-472006-300	Cab door hinge plate	2	
13	850-472005-200	Bush	4	
14	EPB3F-10.12-17	Nylon sleeve	4	
15	1140-472006-003	Bush 2	1	
16	079401 006101A	Straight-through pressure oil cup M6x1.0	2	
17	000819 060251A	Cross recessed countersunk head screws M6X25-8.8	4	
18	000093 000061A	Standard elastic washer 6	4	
19	006170 006001A	Hex nut M6	4	
20	000819 060161A	Cross recessed countersunk head screws M6X16-8.8	2	
21	000819 060401A	Cross recessed countersunk head screws M6X40-8.8	3	
22	000702 120502A	Hexagon socket flat head screw M12X50-10.9	4	
23	000093 000121A	Standard elastic washer 12	4	
24	000923 012001A	Cap nut M12	4	
25	008891 010001A	Type 1 hexagon lock nut with non-metallic insert M10	2	

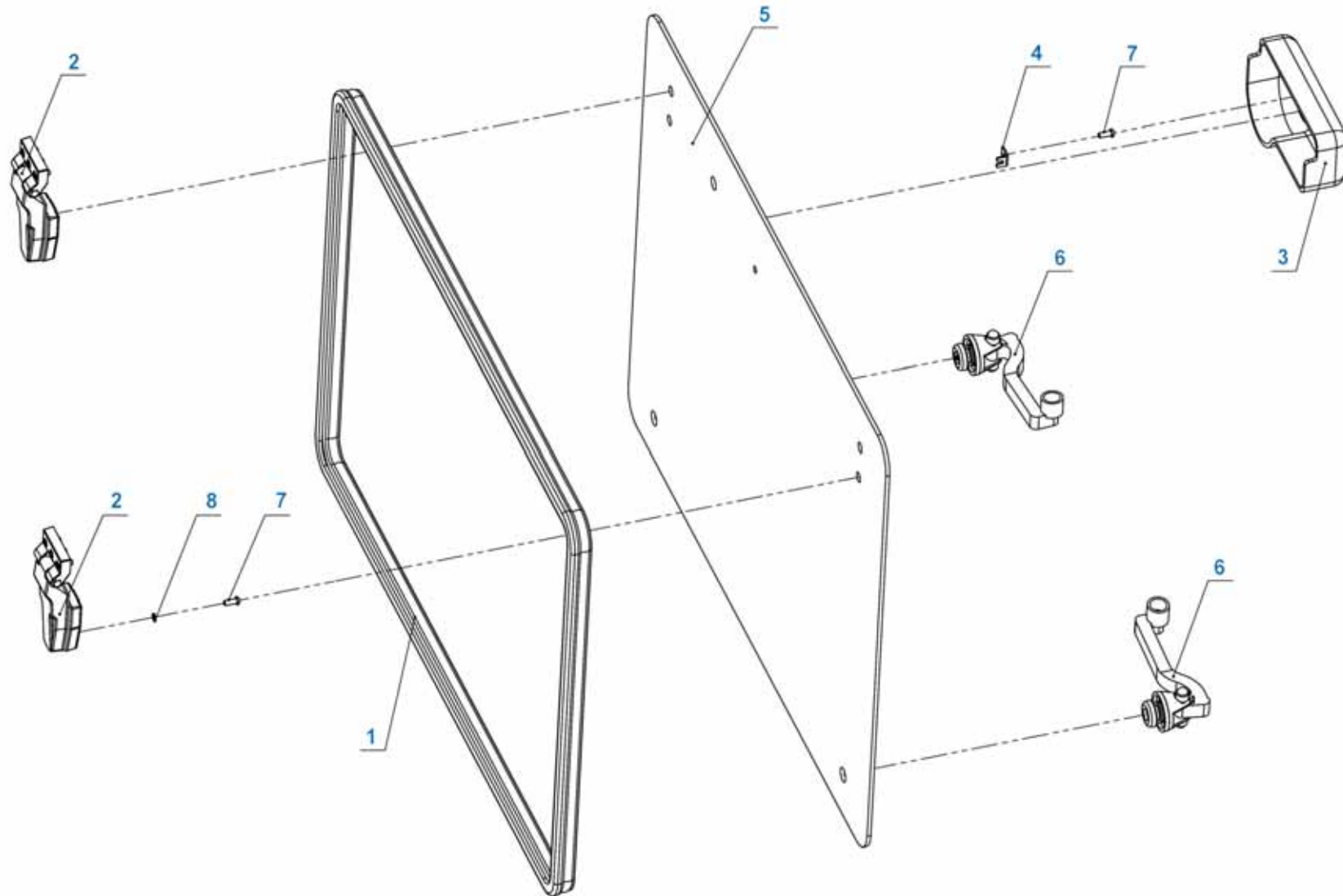
5.8 Right door assembly



Right door assembly parts list

Item	Part Number	Part Name	Quantity	Remark
1	1230-472100-500	Right door fixing plate assembly	1	
2	1230-470602-G00	Door lock handle	1	
3	1230-472002-000	Fixed plate rubber pad 1	2	
4	1230-470603-G00	Right lock	1	
5	1140-472004-003	Fixed plate rubber pad 2	1	
6	1140-472005-003	Cab hinge rubber pad	2	
7	1140-472006-003	Bush 2	1	
8	1140-470402-003	Pin shaft	2	
9	850-473001-300	Right door glass	1	
10	850-472006-300	Cab door hinge plate	2	
11	850-473004-300	Right door sealing strip	1	
12	850-472005-200	Bush	4	
13	EPB3F-10.12-17	Nylon sleeve	4	
14	K30G00 585202	Glass fixing bolt	1	
15	K30G00 580302	Fixed glass rubber pad	2	
16	000819 060161A	Cross recessed countersunk head screws M6X16-8.8	2	
17	000819 060251A	Cross recessed countersunk head screws M6X25-8.8	4	
18	000093 000061A	Standard elastic washer 6	4	
19	006170 006001A	Hex nut M6	4	
20	000819 060401A	Cross recessed countersunk head screws M6X40-8.8	3	
21	000702 120502A	Hexagon socket flat head screw M12X50-10.9	4	
22	000093 000121A	Standard elastic washer 12	4	
23	000923 012001A	Cap nut M12	4	
24	079401 006101A	Straight-through pressure oil cup M6x1.0	2	
25	008891 010001A	Type 1 hexagon lock nut with non-metallic insert M10	2	

5.9 Rear window assembly

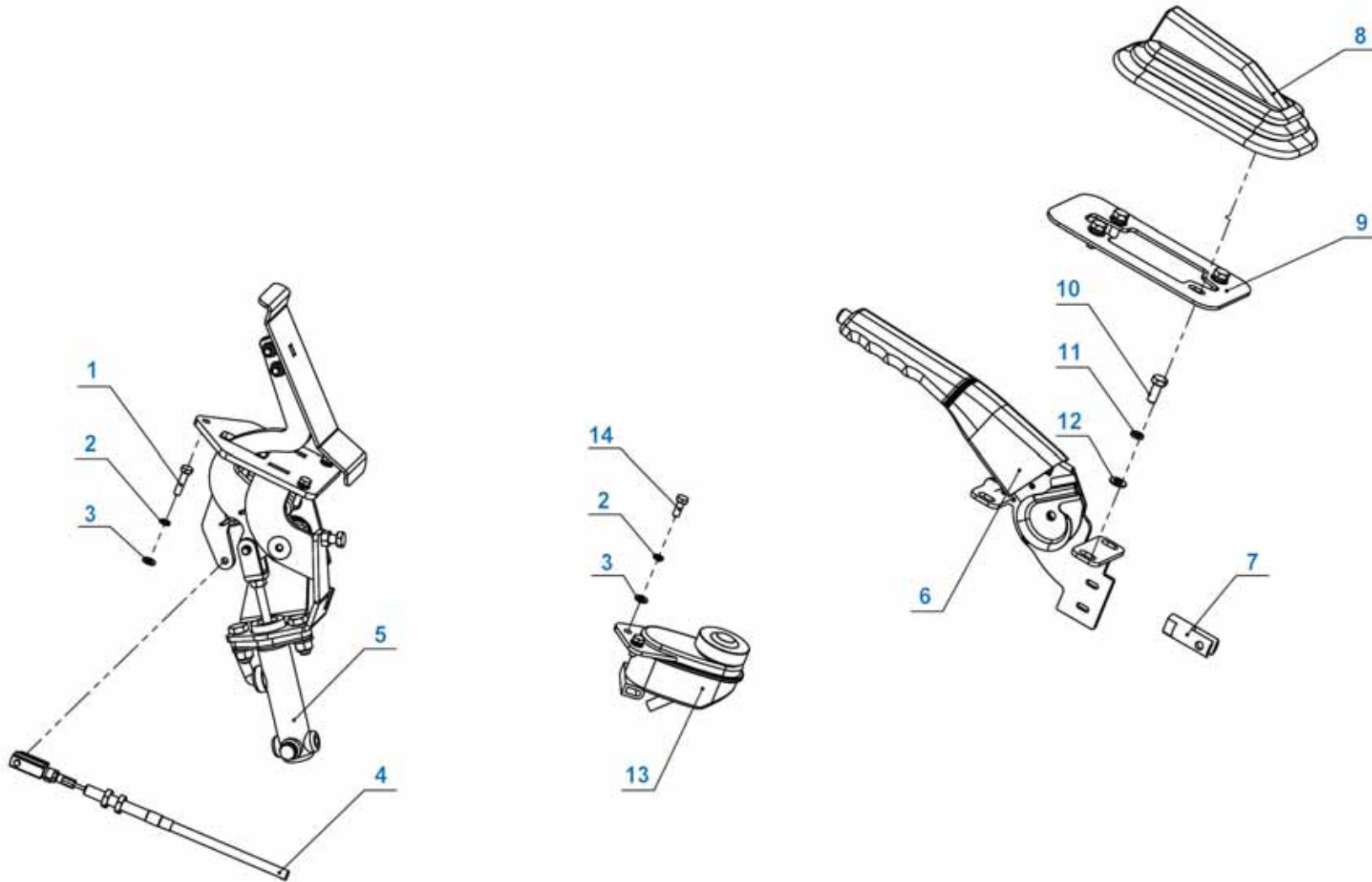


Rear window assembly parts list

Item	Part Number	Part Name	Quantity	Remark
1	875-474003-000	Rear window sealing tape	1	
2	K30G00 585300	Rear window hinge assembly	2	
3	322040000078	Wiper sheath	1	
4	1140-474010-003	Fixed plate	1	
5	850-470004-300	Rear window	1	
6	850-474010-000	Rear window handle assembly	1	
7	000702 060161A	Hexagon socket flat head screw M6X16-8.8	11	
8	000093 000061A	Standard elastic washer 6	11	

6. Operate system

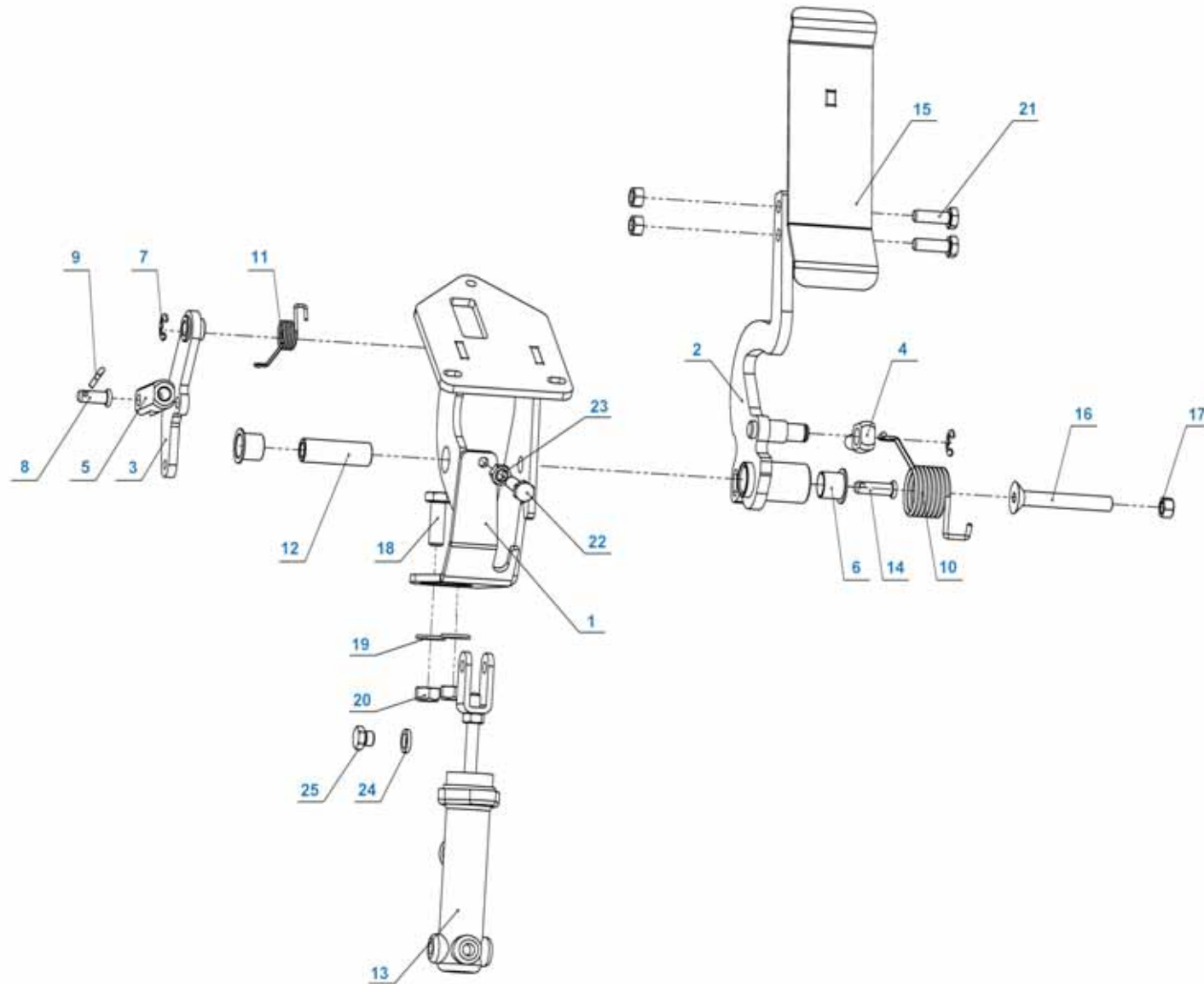
6.1 Operate system installation assembly



Operate system installation assembly parts list

Item	Part Number	Part Name	Quantity	Remark
1	005783 060251A	Hexagon head bolts full thread M6×25-8.8	3	
2	000093 000061A	Standard elastic washer 6	5	
3	000971 000061A	Flat washer 6	5	
4	850-100200-G00	Fretting cable L=670	1	
5	1230-500300-500	Foot brake (brake pump)	1	
6	1130-100400-G10	Hand brake assembly	1	
7	QC20-590001-010	Parking brake connecting fork	1	
8	1130-100005-000	Hand brake dust cover	1	
9	1130-100404-010	Plate	1	
10	005783 080201A	Hexagon head bolts full thread M8×20-8.8	4	
11	000093 000081A	Standard elastic washer 8	4	
12	000971 000081A	Flat washer 8	4	
13	K30G00 610300	Brake oil cup	1	
14	005783 060161A	Hexagon head bolts full thread M6×16-8.8	2	

6.2 Foot brake assembly

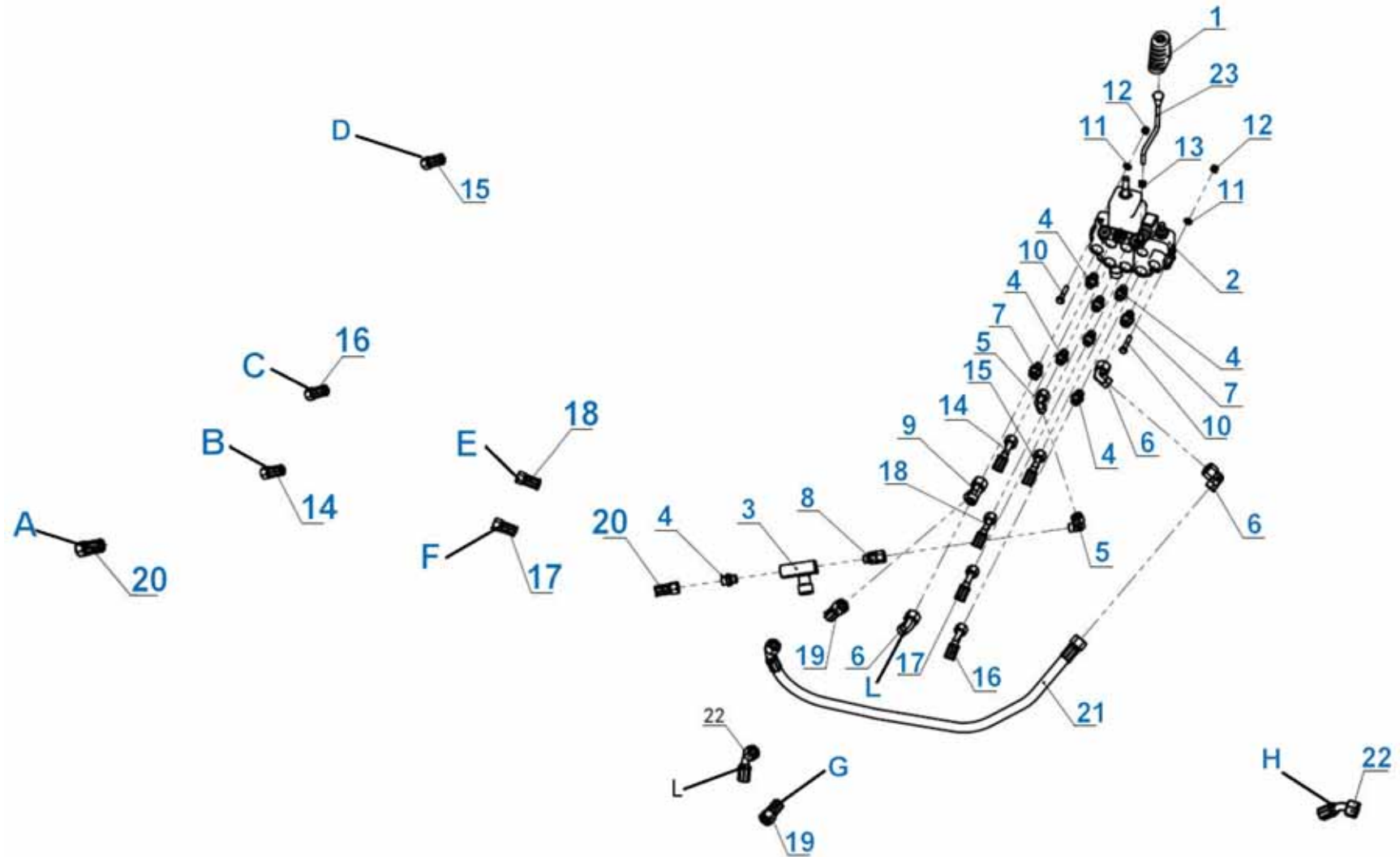


Foot brake assembly parts list

Item	Part Number	Part Name	Quantity	Remark
1	1230-500310-500	Foot brake fixing bracket assembly	1	
2	1230-500320-500	Brake bending plate assembly	1	
3	1230-500330-500	Connecting plate assembly	1	
4	1230-500301-500	Tappet	1	
5	1230-500302-500	Tappet seat	1	
6	K30000 611005	Bushing 16160	2	
7	000896 000091A	Open retaining ring 9	2	
8	000882 080201A	Pin 8×20	1	
9	000091 030201A	Split pin 3*20	1	
10	1230-500305-G00	Brake pedal return torsion spring	1	
11	1230-500306-G00	Connection plate return torsion spring	1	
12	1230-500303-500	Shaft sleeve	1	
13	K30000 615000	Brake master cylinder assembly	1	
14	000882 080251A	Pin B type 8*25	1	
15	1230-500340-501	Pattern pedal assembly	1	
16	000703 100702A	Hexagon socket countersunk head screw M10×70-10.9	1	
17	006184 008001A	Metal hex lock nut M8	3	
18	005783 100301A	Hexagon head bolts full thread M10×30-8.8	2	
19	000971 000101A	Flat washer 10	2	
20	006184 010001A	Metal hex lock nut M10	2	
21	005783 080251A	Hexagon head bolts full thread M8×25-8.8	2	
22	005783 080301A	Hexagon head bolts full thread M8×30-8.8	1	
23	006170 008001A	Hex nut M8	1	
24	000982 000010A	Combination gasket 10	1	
25	00WWDT M10X1	Hexagonal external thread plug M10*1	1	

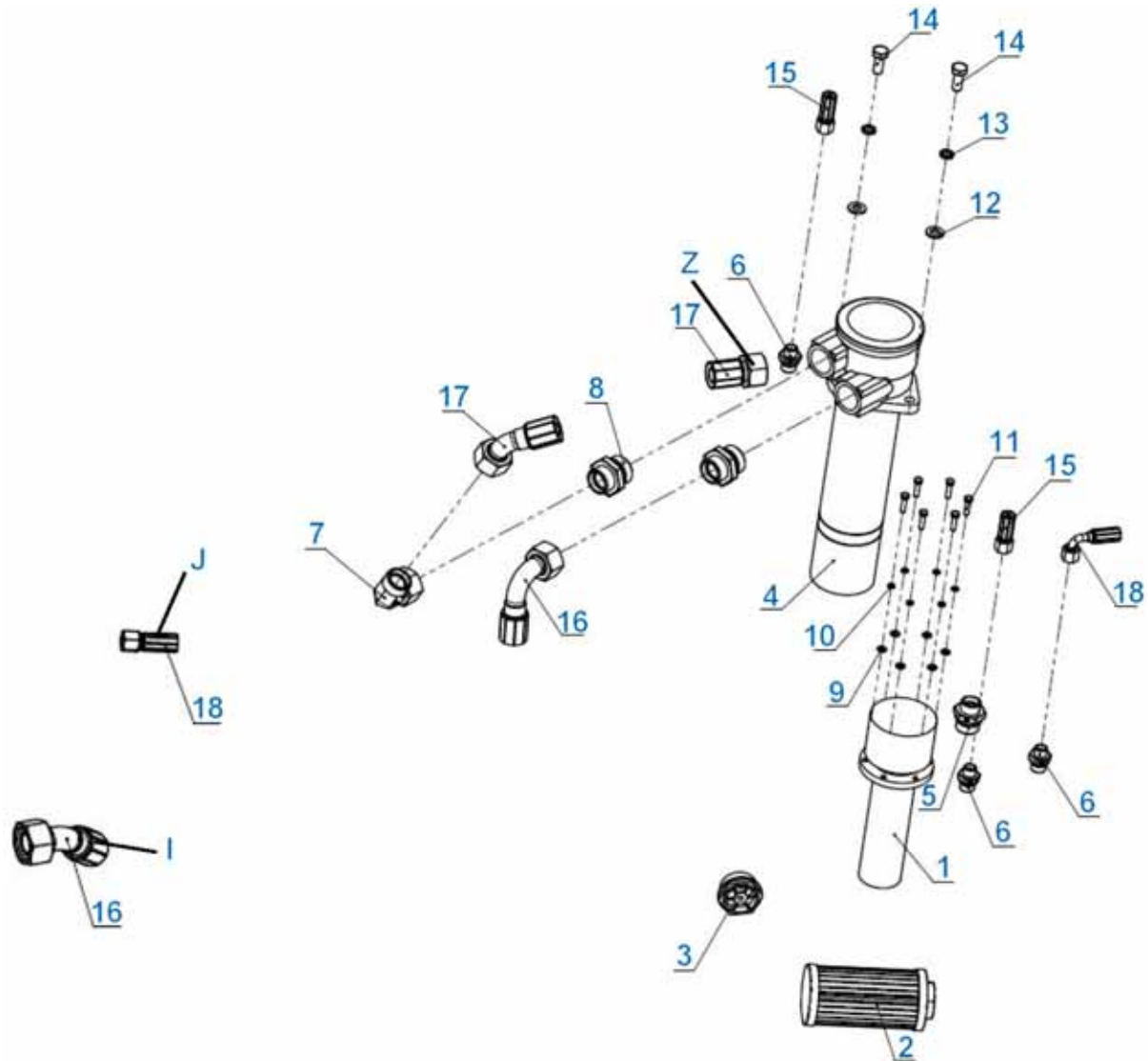
7. Hydraulic system

7.1 Hydraulic system 1



Hydraulic system 1 parts list				
Item	Part Number	Part Name	Quantity	
1	1230-600008-G00	Small handle rubber cover	1	
2	1130-600500-G01	Bucher triple multi-way valve	1	
3	STU-0600	Choke valve	1	
4	0001CB 1806WDA	M18*1.5 to G3/8 straight joint	7	
5	0002C9 0018WDA	M18X1.5 right angle joint for internal and external thread	2	
6	0002C9 0022WDA	M22X1.5 right angle joint for internal and external thread	3	
7	0001CB 2206WDA	M22*1.5 to G3/8 straight joint	2	
8	0002BC 0618WDA	G3/8"to M18X1.5 (nut) straight joint	1	
9	0000CC 002200A	M22*1.5 tee joint (nut)	1	
10	005783 080401A	Hexagon head bolt with full thread M8x40-8.8	3	
11	000971 000081A	Flat washer 8	3	
12	006184 008001A	Metallic hexagon lock nut M8	3	
13	006170 008001A	Hexagon nut M8	1	
14	850T-612200-G00b	Rubber hose assy. -top end of lifting cylinder rod-main valve B3 port	1	
15	850T-611800-G00b	Rubber hose assy. - main valve B1 port-outside plate joint on the right upper position of boom	1	
16	850T-611900-G00b	Rubber hose assy. - main valve A1 port-outside plate joint on the left upper position of boom	1	
17	850T-612500-G00b	Rubber hose assy. - main valve A2 port-left lower port of right six-way valve	1	
18	850T-612400-G00b	Rubber hose assy. - right lower port of right six-way valve-main valve B2	1	
19	850T-616400-G00b	Rubber hose assy. - overflow valve T-multitandem valve T port	1	
20	850T-612300-G00b	Rubber hose assy. - choke valve on A3 port of main valve-end of lifting cylinder	1	
21	850-611200-G10	Rubber hose assy. - steering gearEF-P port of main valve	1	
22	850-610200-G10b	Rubber hose assy. - Tee joint-T port of multitandem valve	1	
23	1130-600520-G00	Small handle	1	

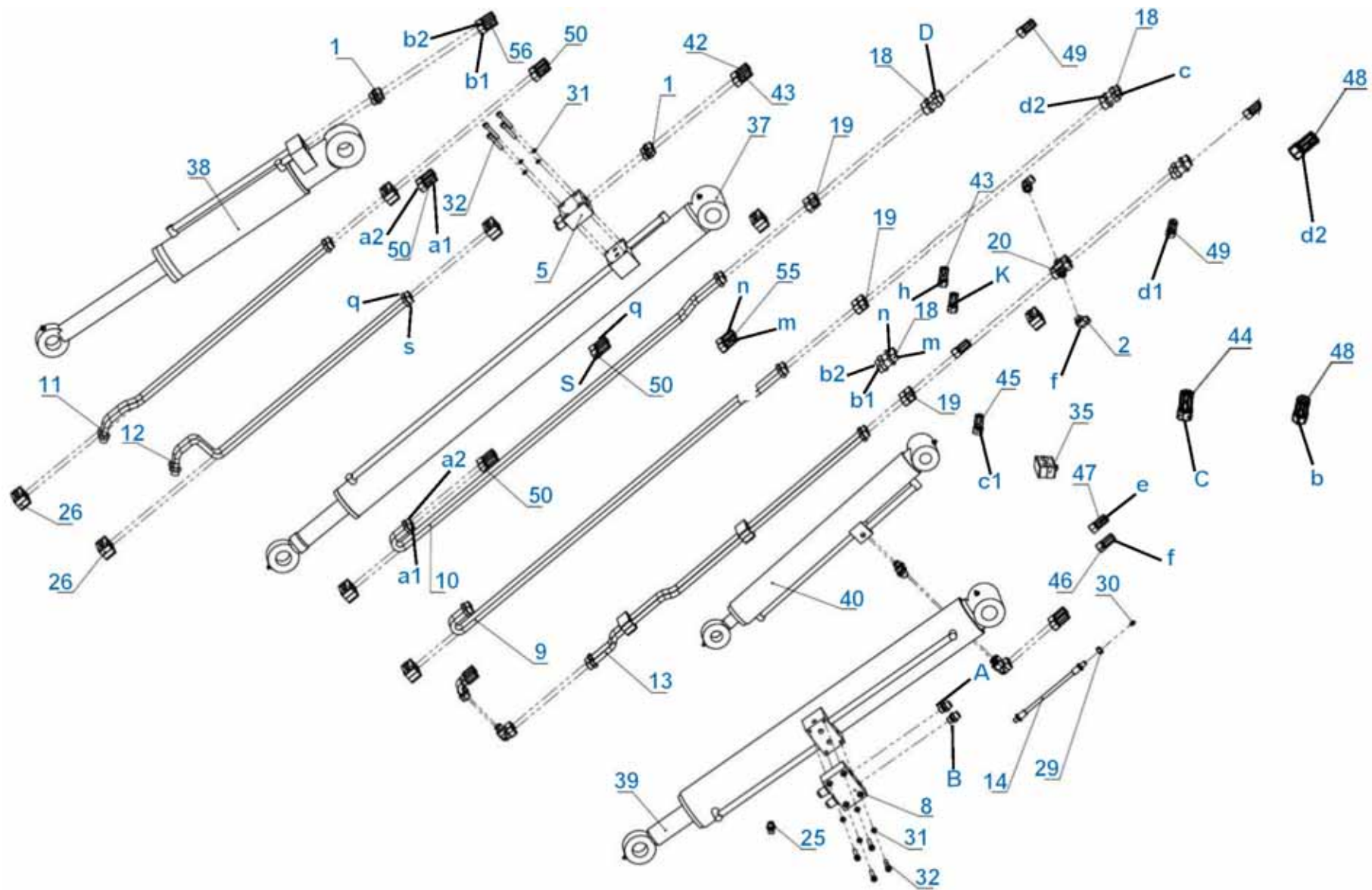
7.2 Hydraulic system 2



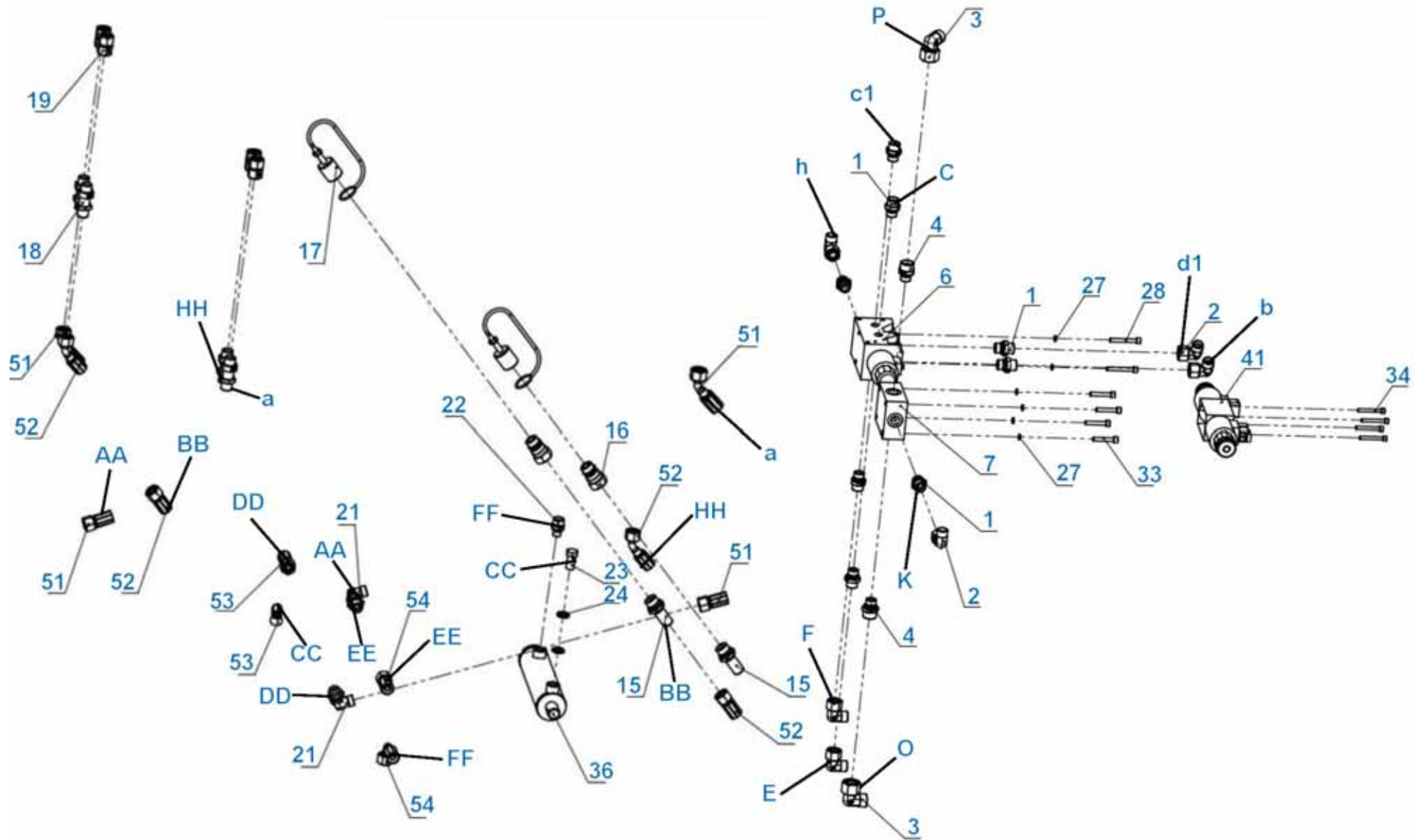
Hydraulic system 2 parts list

Item	Part Number	Part Name	Quantity	Remark
1	1130-600800-G00	Pressurized air filter	1	
2	850-601100-000	WU63*180 Gear pump oil filter element	1	
3	850-400016-G00	Oil window (oil level mirror)	1	
4	850-600700-G00	HTRF-B100*16 oil suction/return filter	1	
5	0001CB 2212WDA	M22*1.5 to G3/4 straight joint	1	
6	0001CB 1406WDA	M14*1.5 to G3/8 straight joint	3	
7	0002C9 0030WDA	M30X1.5 right angle joint for internal and external thread	1	
8	0001CB 3016WDA	M30*2 to G1 straight joint	2	
9	000971 000051A	Flat washer 5	6	
10	000093 000051A	Standard type spring washer 5	6	
11	005783 050201A	Hexagon head bolt with full thread M5×20-8.8	6	
12	000971 000101A	Flat washer 10	2	
13	000093 000101A	Standard type spring washer 10	2	
14	005783 100251A	M10×25-8.8 Hexagon head bolt with full thread	2	
15	850-612600-G10	Rubber hose assy. (to connect left and right oil tank)	1	
16	850-610300-G10	Rubber hose assy. -oil suction port of main pump-outside of oil suction/return port	1	
17	850-610100-G10	Rubber hose assy. - Tee joint-outside of oil suction/return port	1	
18	850-614300-G10	Rubber hose assy. - Solenoid valve port 3 (side front)-left oil tank	1	

7.3 Hydraulic system 3



7.4 Hydraulic system 4



Hydraulic system 4 parts list

Item	Part Number	Part Name	Quantity	Remark
1	0001CB 1806WDA	M18*1.5 to G3/8straight joint	16	
2	0002C9 0018WDA	M18X1.5 right angle joint for internal and external thread	12	
3	0002C9 0022WDA	M22X1.5 right angle joint for internal and external thread	2	
4	0001CB 2206WDA	M22*1.5 to G3/8straight joint	2	
5	850T-400002-G00	Balance valve of telescopic cylinder	1	
6	ZDPDCE50G038TA6-10	Two position six way valve	1	
7	850T-600001-G00	Manifold block	1	
8	850T-400001-G00	Balance valve of lifting cylinder	1	
9	850T-400025-000	Attachment left oil hose	2	
10	850T-400029-000	Attachment right oil hose	2	
11	850T-400028-003	Attachment left oil hose	2	
12	850T-400027-003	Attachment right oil hose	2	
13	850T-400034-000	Oil hose of tilt cylinder	2	
14	850T-431800-G01	Butter tube assembly of 850T tilt cylinder	1	
15	0000F3 18G1-2A	M18*1.5 to G1/2 plate joint	2	
16	LSQ-S1-04PF-G1-2	Fast joint LSQ-S1-04PF (pin)	2	
17	LSQ-S1-PF-G1-2	Red dust cap (pin)	2	
18	006CLN 001800A	M18*1.5 straight plate joint with nut	12	
19	00003C 001800A	M18*1.5 straight joint with nuts on both ends	10	
20	0000CC 001800A	M18*1.5 tee joint with nut	2	
21	069CLN 001800A	M18*1.5 right angle plate joint	2	
22	0001CB 1804WDA	M18*1.5 to G1/4 straight joint	1	
23	00720B 000004A	G1-4 Hinge bolt	1	
24	000982 000014A	Combined sealing washer 14	2	
25	0001CM 0014WDA	M14*1.5 to M14*1.5 plane straight joint	1	
26	SHTPG1-213.5	Double pipe clamp 13.5	10	
27	000093 000061A	Standard type spring washer 6	6	
28	000701 060451A	M6x45-8.8 hexagon socket head cap screws	2	

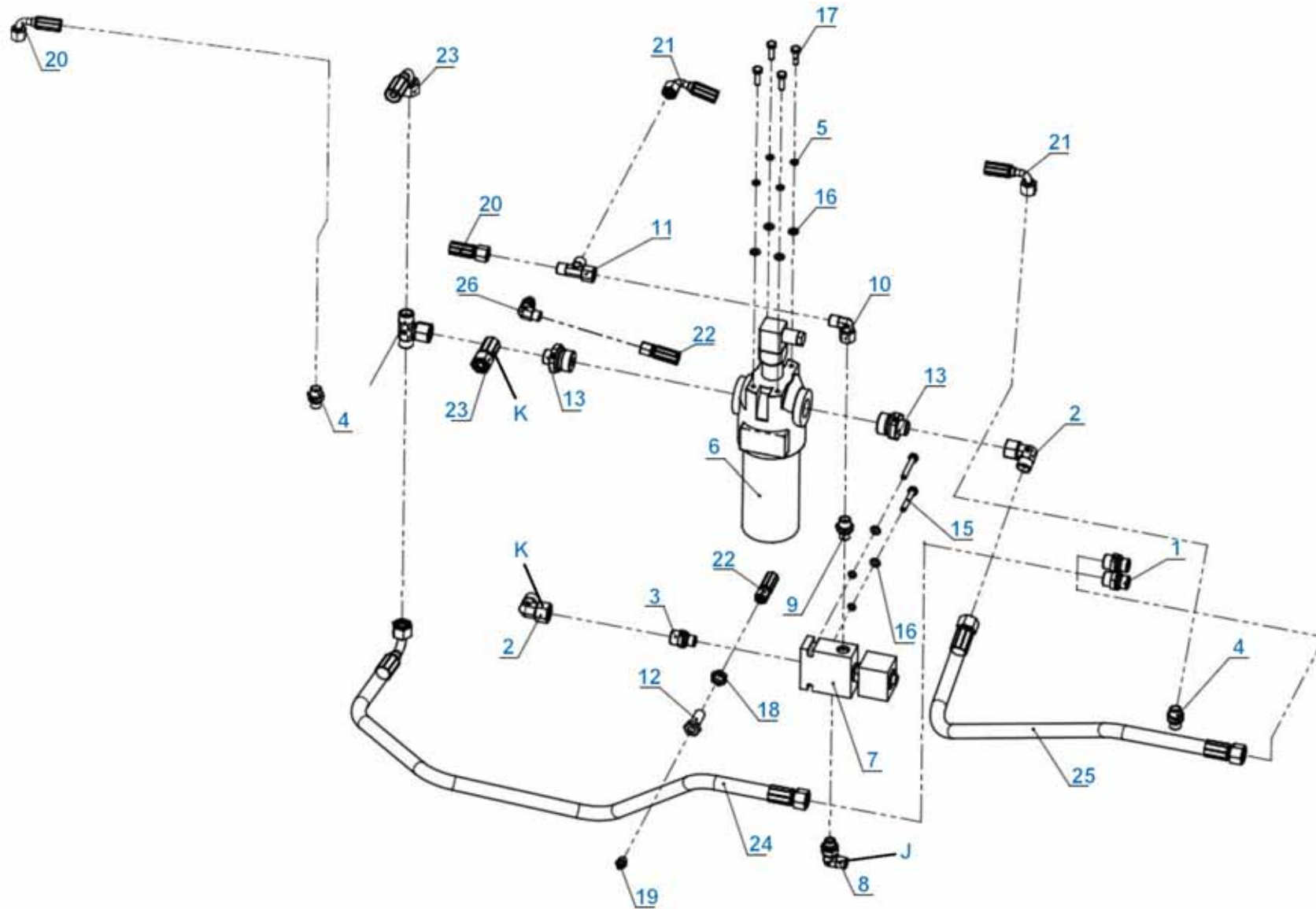
Hydraulic system 4 parts list

Item	Part Number	Part Name	Quantity	Remark
29	006171 010101A	M10×1 Hexagon nut with fine thread	1	
30	079401 006101A	Straight-through oil injection cup M6x1.0	1	
31	000093 000081A	Standard type spring washer 8	8	
32	000701 080451A	Hexagon socket head cap screws M8×45-8.8	8	
33	000701 060351A	Hexagon socket head cap screws M6×35-8.8	4	
34	000701 050401A	Hexagon socket head cap screws M5×40-8.8	4	
35	SHTPG1-321.3	Double pipe clamp 21.3	1	
36	850T-441000-G00	Locking cylinder (850T The Swedish standard)	1	
37	850T-438000-G00	850T telescoping cylinder	1	
38	850T-437000-G03	850T tilt cylinder	1	
39	850T-436000-G03	850T lifting cylinder	1	
40	850T-439000-G03	850T slave cylinder	1	
41	RSD 3-8W-AD1 S-10	Three-position four-way solenoid valve	1	
42	850T-615200-G00	Rubber hose assy. -left A port of left valve-the end of telescoping cylinder	1	
43	850T-615300-G00	Rubber hose assy. -right B port of right valve-the rod end of telescoping cylinder	1	
44	850T-613700-G00	Rubber hose assy. - C port of right six-way valve-the piston end of tilt cylinder	1	
45	850T-613800-G00	Rubber hose assy. - the rod end of tilt cylinder-D port of right six-way valve	1	
46	850T-615400-G00	Rubber hose assy. - lower tee joint of boom-the piston end of slave cylinder	1	
47	850T-615500-G00	Rubber hose assy. - the rod end of slave cylinder-lower tee joint of boom	1	
48	850T-615700-G00	Rubber hose assy.- A port of right six way valve-inside plate joint on left upper position of boom	1	
49	850T-615600-G00	Rubber hose assy.- B port of right six way valve-inside plate joint on right upper position of boom	1	
50	850T-615800-G00	Rubber hose assy.- upper steel pipe of boom- upper steel pipe of auxiliary boom	4	
51	850T-613900-G00	Rubber hose assy.- outside plate joint of front boom-carriage	2	
52	850T-613900-G00b	Rubber hose assy.- inside plate joint of front boom-fast joint	2	
53	850T-613200-G00	Rubber hose assy. - left locking plate joint-rod oil port of locking cylinder	1	

Hydraulic system 4 parts list

Item	Part Number	Part Name	Quantity	Remark
54	850T-613300-G00	Rubber hose assy. - right locking plate joint-rod oil port of locking cylinder	1	
55	850T-613400-G00	Rubber hose assy.- lower steel pipe of boom- rear plate of auxiliary boom	2	
56	850T-614800-G00	Rubber hose assy.- rear plate of auxiliary boom - tilt cylinder	2	

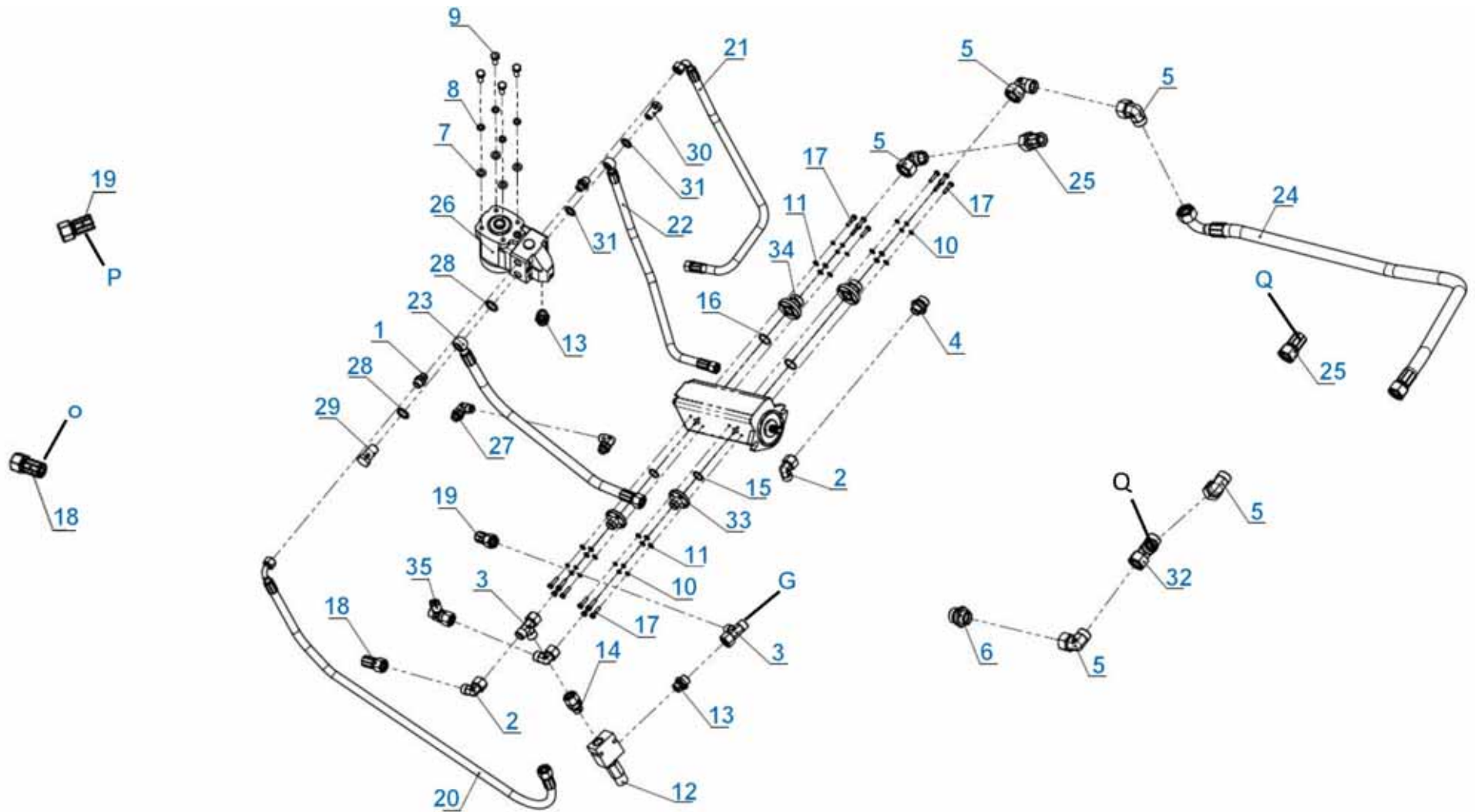
7.5 Hydraulic system 5



Hydraulic system 5 parts list

Item	Part Number	Part Name	Quantity	Remark
1	0001CB 1806WDA	M18*1.5 to G3/8 straight joint	2	
2	0002C9 0018WDA	M18X1.5 right angle joint for internal and external thread	2	
3	0001CB 1804WDA	M18*1.5 to G1/4 straight joint	1	
4	0001CM 0014WDA	M14*1.5 to M14*1.5 plane straight joint	2	
5	000093 000061A	Standard type spring washer 6	6	
6	HPLF-C110X5P	Oil filter	1	
7	DHF08S-230-00	Two position three way valve	1	
8	001CG9 14040GA	M14X1.5 to G1/4 right angle adjustable joint	1	
9	0001CB 1404WDA	M14*1.5 to G1/4 straight joint	1	
10	0002C9 0014WDA	M14X1.5 right angle joint for internal and external thread	1	
11	0000CC 001400A	M14*1.5 tee joint with nut	1	
12	303050000044	Oil nozzle transition connector	1	
13	0001CB 1812WDA	M18*1.5 to G3/4 straight joint	2	
14	0000BC 001800A	M18*1.5 tee joint nut	1	
15	005783 060401A	Hexagon head bolt with full thread M6x40-8.8	2	
16	000971 000061A	Flat washer 6	6	
17	005783 060201A	Hexagon head bolt with full thread M6x20-8.8	4	
18	061721 012001A	M12 hexagon thin nut M12	1	
19	079401 010101A	Oil cup M10X1	1	
20	850-614100-G00	Rubber hose assy. - front axle-tee joint	1	
21	850-614200-G00	Rubber hose (rear axle-tee joint)	1	
22	850-615000-G00	Rubber hose assy. - butter tube of rear ball joint	1	
23	850-614400-G00	Rubber hose assy.- solenoid valve 1 port -upper port of oil filter tee joint	1	
24	850-614500-G00	Rubber hose (lower port of oil filter tee joint-plunger pump P1)	1	
25	850-614600-G00	Rubber hose-oil return port of oil filter-plunger pump P2 (upper oil return port)	1	
26	001CH9 12100GA	M12X1.5 to M10X1 right angle adjustable joint	1	

7.6 Hydraulic system 6



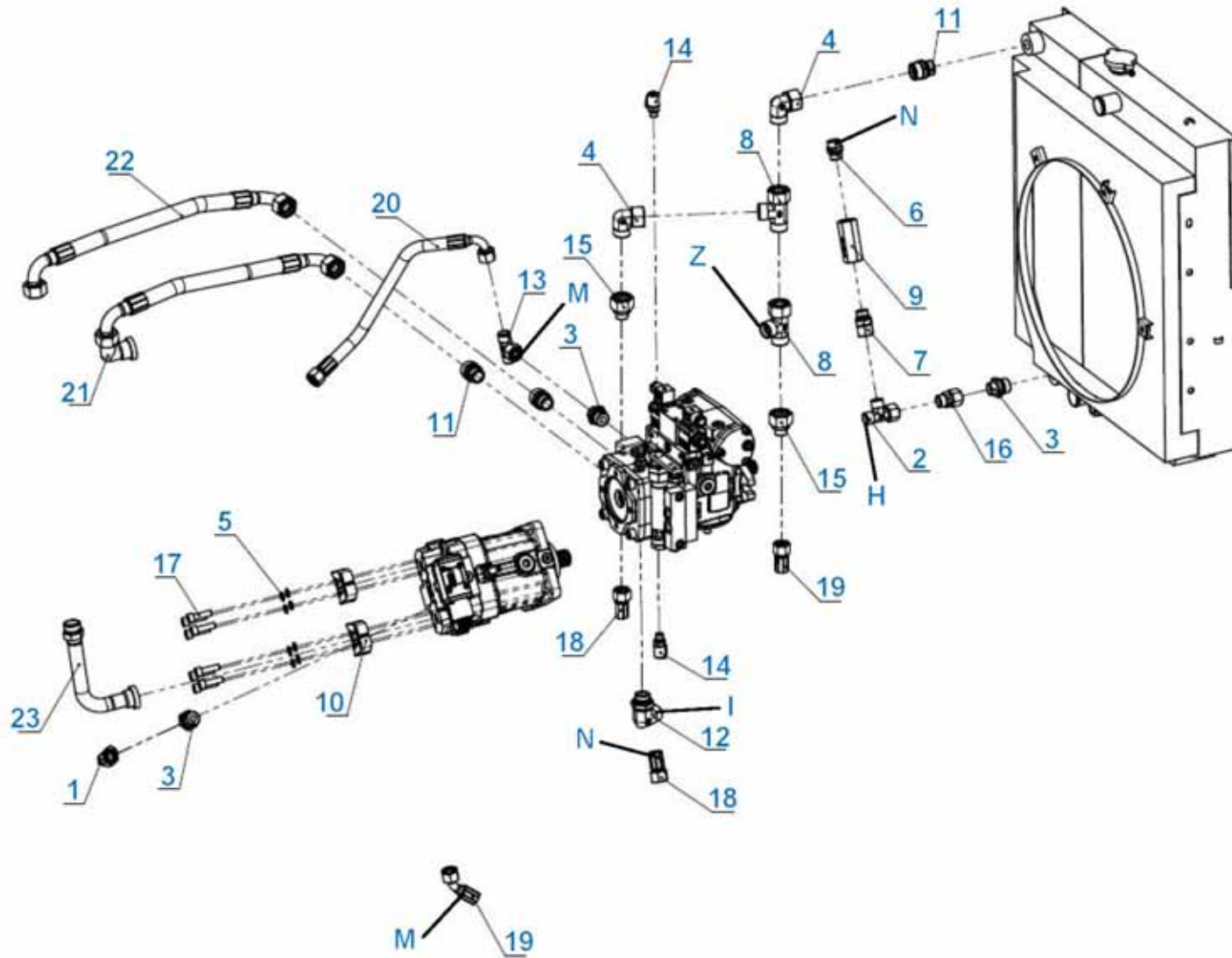
Hydraulic system 6 parts list

Item	Part Number	Part Name	Quantity	Remark
1	0001CB 1806WDA	M18*1.5 to G3/8straight joint	2	
2	0002C9 0022WDA	M22X1.5 right angle joint for internal and external thread	3	
3	0000CC 002200A	M22*1.5 tee joint (nut)	2	
4	0001CB 2212WDA	M22*1.5 to G3/4 straight joint	1	
5	0002C9 0030WDA	M30X1.5 right angle joint for internal and external thread	5	
6	0001CB 3016WDA	M30*2 to G1 straight joint	1	
7	000971 000101A	Flat washer 10	4	
8	000093 000101A	Standard type spring washer 10	4	
9	005783 100251A	Hexagon head bolt with full thread M10×25-8.8	4	
10	000093 000061A	Standard type spring washer 6	16	
11	000971 000061A	Flat washer 6	16	
12	HDKR-YLF-10-17	Overflow valve	1	
13	0001CB 2208WDA	M22*1.5 to G1/2 straight joint	2	
14	0002BC 0822WDA	M22X1.5 (nut) straight joint	1	
15	034521 200265A	O ring 20*2.65	2	
16	034521 250265A	O ring 25*2.65	2	
17	005783 060251A	Hexagon head bolt with full thread M6×25-8.8	16	
18	850T-616200-G00	Rubber hose assy.- overflow valve P-P port of left electromagnetic valve	1	
19	850T-616300-G00	Rubber hose assy.- overflow valve T-T port of left electromagnetic valve	1	
20	850-611300-G10	Rubber hose assy.- steering gear T-L1 port of plunger pump (left)	1	
21	850-611600-G10	Rubber (steering gear A-plunger end of steering cylinder)	1	
22	850-611700-G10	Rubber hose assy.-steering cylinder-steering gear B port	1	
23	850-611400-G10b	Rubber hose assy.- Gear pump outlet-P port of steering gear	1	
24	850-611500-G20b	Rubber hose assy.- Gear pump inlet-rear lower port of left oil tank	1	
25	850T-616100-G20	Rubber hose assy.- oil suction port of gear pump 2-lower oil suction port of left	1	
26	850-202000-G00	Steering gear	1	
27	001CG9 1806OGA	M18X1.5 to G3/8 right angle adjustable joint	2	
28	000982 00G1-2A	Combined sealing washer	2	

Hydraulic system 6 parts list

Item	Part Number	Part Name	Quantity	Remark
29	00720B 000008A	G1/2 Hinge bolt	1	
30	00720B 000006A	G3/8 Hinge bolt	1	
31	000982 00G3-8A	Combined sealing washer G3-8	2	
32	0000CC 003000A	M30*2 tee joint (nut)	1	
33	1130-600201-000	Gear pump oil-out joint	2	
34	1130-600101-000	Gear pump oil-in joint	2	
35	00STCY 16M22A	M16*1.5 M22 Tee joint (nut) Intermediate pressure joint	1	

7.7 Hydraulic system 7

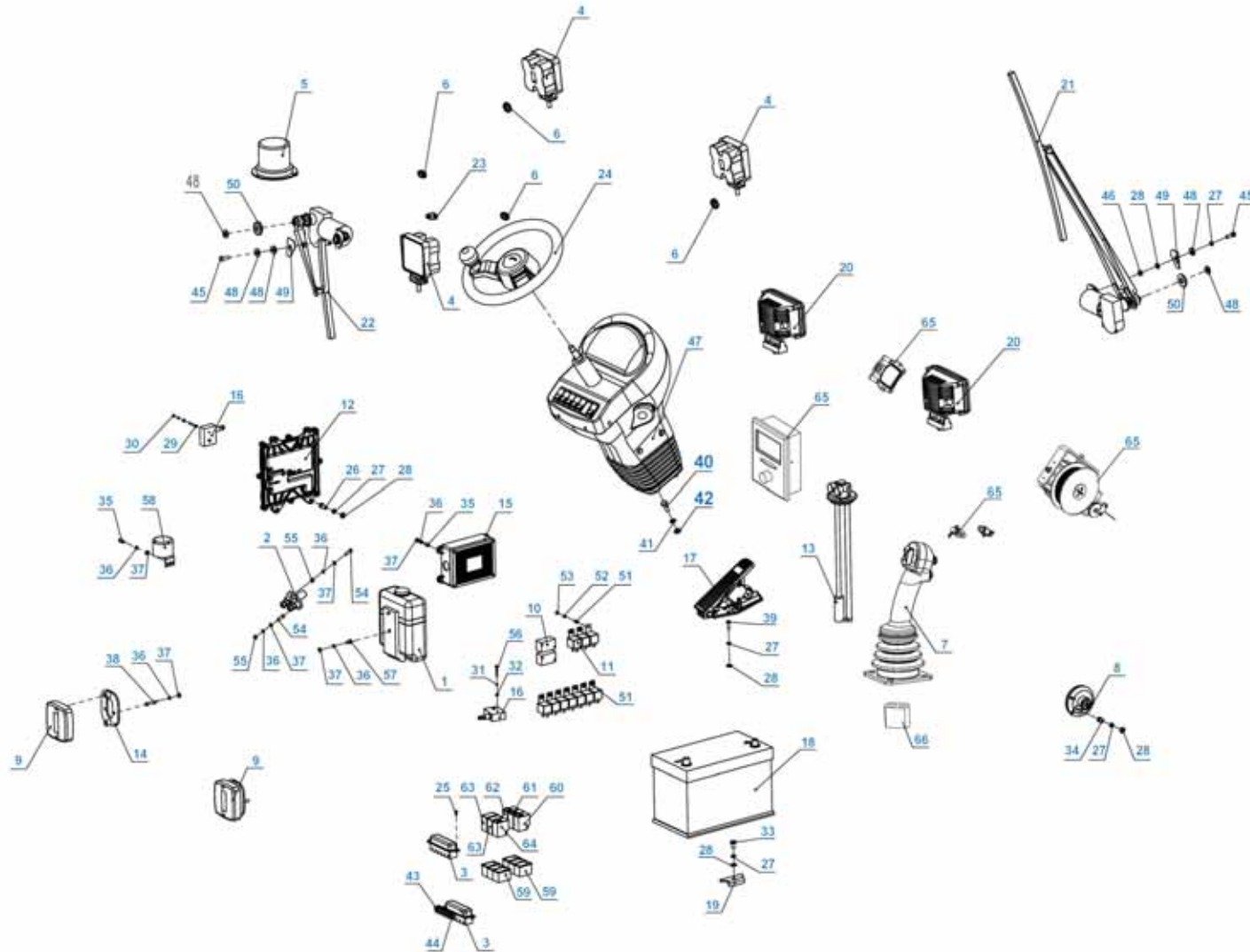


Hydraulic system 7 parts list

Item	Part Number	Part Name	Quantity	Remark
1	0002C9 0022WDA	Right angle joint for internal and external thread M22X1.5	1	
2	0000CC 002200A	M22*1.5 tee joint (nut)	1	
3	0001CB 2212WDA	M22*1.5 to G3/4 straight joint	3	
4	0002C9 0030WDA	M30X1.5 right angle joint for internal and external thread	2	
5	000093 000101A	Standard type spring washer 10	8	
6	0001CB 2208WDA	M22*1.5 to G1/2 straight joint	1	
7	0002BC 0822WDA	G1/2" to M22X1.5 (nut) straight joint	1	
8	0000CC 003000A	M30*2 tee joint (nut)	2	
9	VU-12-G1-2-0.4	Straightway check valve	1	
10	0000FS 001200A	Heavy duty open flange press plate	4	
11	0001CB 3012WDA	M30*2 to G3/4straight joint	4	
12	001CG9 30120GA	M30*2 to G3/4 right angle adjustable joint	1	
13	0000BC 002200A	M22*1.5 tee joint (nut)	1	
14	0000CY 1604EDA	Pressure joint	2	
15	00002C 2230WDA	M22X1.5 to M30X2 (nut) straight joint	2	
16	00002C 0022WDA	M22X1.5 to M22X1.5 (nut) straight joint	1	
17	000701 100351A	Hexagon socket head cap screws M10x35-8.8	8	
18	830-610400-G10	Rubber hose assy.-oil return check valve-upper tee joint	1	
19	850-612800-G10	Rubber hose(L2 Port of plunger pump-upper tee joint of water tank)	1	
20	850-612700-G10	Rubber hose-L2 Port of plunger pump-L2 port of plunger motor	1	
21	850-610800-G00	Rubber hose assy.- lower position of main pump-outside of motor	1	
22	850-610600-G00	Rubber hose assy.- upper position of main pump-inside of motor	1	
23	850-600600-000	Steel pipe assy. of travelling motor	1	

8. Electric system

8.1 Electric system assembly chart



Electric system assembly parts list

Item	Part Number	Part Name	Quantity	Remark
1	850-701600-G00	Wash bottle	1	
2	1130-701900-G00	Main power switch	1	
3	1130-701800-G00	6-way fuse box	2	
4	1130-921000-000	Working light	3	
5	1130-922000-000	Warning light	1	
6	K30G00 540005	Headlight out of coil	5	
7	850T-720000-G00	Operating handle assy (850T)	1	
8	K30G00 800050	Horn	1	
9	810E-700100-000	LED tail lamp	2	
10	1130-701200-G00	Insert plug fuse seat	2	
11	850-701700-G00	Relay (E 5 engine)	14	
12	1H08660551	V2403 ECU	1	
13	850T-701500-G00	Oil temperature sensor	1	
14	810E-700020-000	Taillight base welded	2	
15	1030-700900-G10	Control box	1	
16	E25G00 800900	Microswitch	2	
17	830-702600-200	Electronic throttle	1	
18	830-703000-G10	Battery 6-QW-80	1	
19	1130-700104-001	Battery fixed pressing plate	1	
20	1130-504500-000	Headlamp	2	
21	850-700600-000	Front wiper wash assy	1	
22	850-700601-000	Rear wiper wash assy	1	
23	850-702000-000	Wiper housing switch	1	
24	850-710009-G10	Steering wheel	1	
25	000819 040101A	Screw M4X10-8.8	8	
26	005783 080201A	Hexagon head bolt full thread M8x20-8.8	4	
27	000093 000081A	Standard elastic washer 8	9	
28	000971 000081A	Flat washer 8	10	
29	000818 040351A	Slotted pan head screw M4X35-8.8	2	
30	006170 004001A	Hexagon nut M4	2	
31	000093 000041A	Standard elastic washer 4	4	

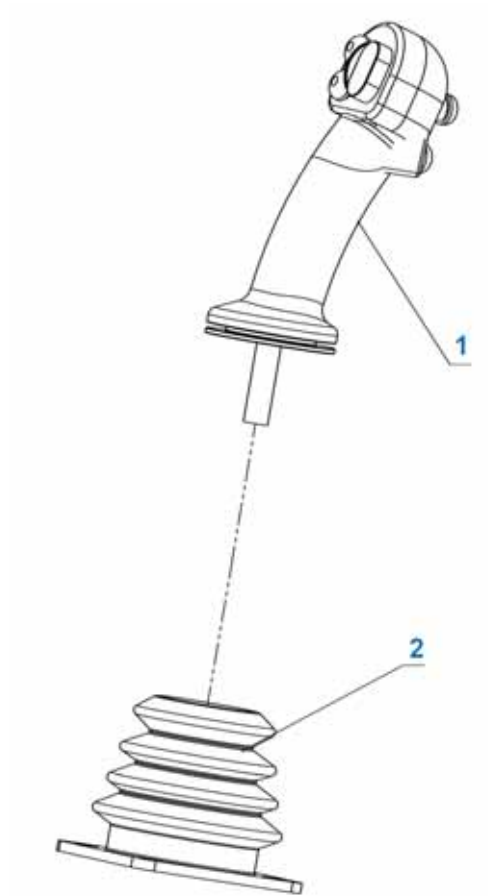
Electric system assembly parts list

Item	Part Number	Part Name	Quantity	Remark
32	000971 000041A	Flat washer 4	4	
33	005783 080161A	Hexagon head bolt full thread M8×16-8.8	1	
34	005783 080121A	Hexagon head bolt full thread M8×12-8.8	1	
35	000702 060161A	Hexagon socket flat round head screw M6X16-8.8	5	
36	000093 000061A	Standard elastic washer 6	13	
37	000971 000061A	Flat washer 6	13	
38	000702 060351A	Hexagon socket flat round head screw M6X35-8.8	4	
39	005783 060201A	Hexagon head bolt full thread M6×20-8.8	2	
40	005783 100251A	Hexagon head bolt full thread M10×25-8.8	4	
41	000093 000101A	Standard elastic washer 10	4	
42	000971 000101A	Flat washer 10	4	
43	FU-10A	Fuse 10A	4	
44	FU-5A	Fuse 5A	8	
45	000702 080252A	Hexagon socket flat round head screw M8X25-10.9	2	
46	006184 008001A	Hexagon metal lock nut M8	2	
47	850-710000-200	Kubota E5 instrument assy	1	
48	1230-472003-000	Rubber pad	5	
49	810-474008-100	Rubber wiper pad	2	
50	K30G00 580302	Fixed glass rubber pad	2	
51	000818 050121A	Cross recessed pan head screws M5x12-8.8	10	
52	000093 000051A	Standard elastic washer 5	10	
53	000971 000051A	Flat washer 5	10	
54	000702 060201A	Hexagon socket flat round head screw M6X20-8.8	2	
55	006170 006001A	Hexagon nut M6	2	
56	000818 040301A	Slotted pan head screw M4X30-8.8	2	
57	000818 060121A	Cross recessed pan head screws M6X12-8.8	2	
58	E25G00-800700	Buzzer	1	
59	850-701900-G00	Triple group frame of rocker switch	2	
60	1230-701903-G00	Wiper switch	1	

Electric system assembly parts list

Item	Part Number	Part Name	Quantity	Remark
61	1230-701902-G00	Watering can switch	1	
62	850-701901-G00	Differential lock switch	1	
63	1230-700023-G00	Switch box blank panel	2	
64	1130-710018-G00	Double trip switch	1	
65	850T-702700-000	Hersman telescopic loader control system	1	
66	1140-440013-003	Connecting plate (cabin)	1	

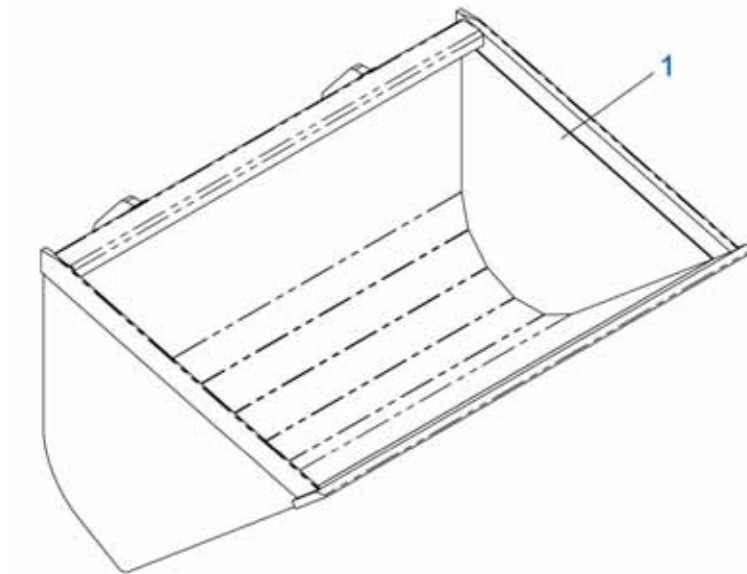
9. Operating handle assembly



Operating handle assembly parts list

Item	Part Number	Part Name	Quantity	Remark
1	850T-720210-G00	Handle	1	
2	850T-720201-G00	Handle cover	1	

10. Attachments



Attachments parts list

Item	Part Number	Part Name	Quantity	Remark
1	1230-800000-551	Bucket assembly	1	